

# ICWUSA.com Product Bulletin

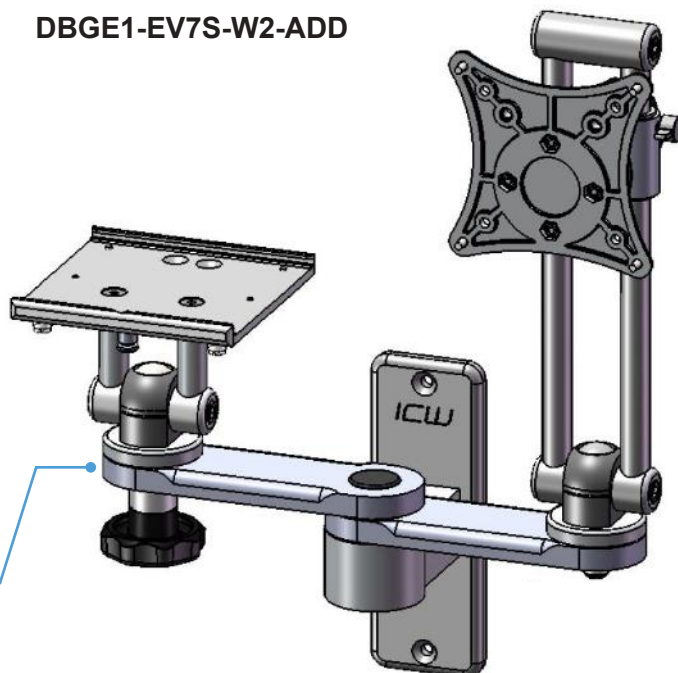


The purpose of the ICW Product Bulletin is to share interesting solutions using ICW products. Watch for new bulletins by issue number and date. Past issues are available on our website: [www.icwusa.com/product-bulletins/](http://www.icwusa.com/product-bulletins/)

## Dual Device Mounts



DBGE1-EV7S-W2-ADD



Here is an interesting dual medical device mount on an Anesthesia machine we built for one of our healthcare customers.

On a single ear, we created two device mounts for units that can be mounted side by side.

This mount solution can be attached to anesthesia machines, carts, wall channels, poles, desk mounts and directly to the wall. Dual mounts can save space while minimizing the number of mounts required.

This custom mount will soon be an addition to ICW's large selection of products.

For more information on ICW solutions, please email [sales@icwusa.com](mailto:sales@icwusa.com) or call 1-800-558-4435 to speak to one of our product specialists.

