

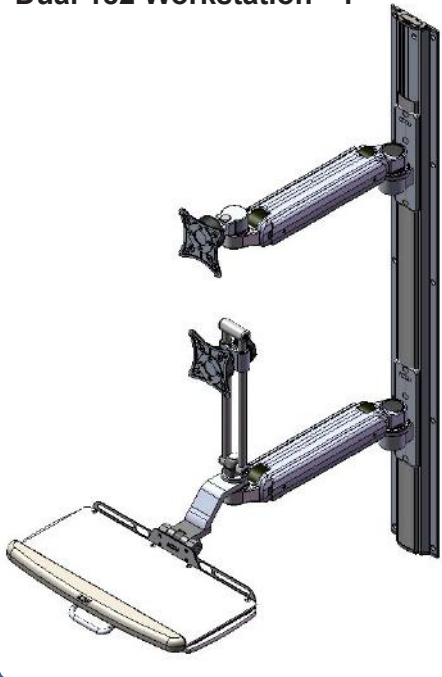
ICWUSA.com Product Bulletin



The purpose of the ICW Product Bulletin is to share interesting solutions using ICW products. Watch for new bulletins by issue number and date. Past issues are available on our website: www.icwusa.com/product-bulletins/

Dual Workstations

Dual 182 Workstation - 1



Dual 180 Workstation - 2



Some users prefer to mount the keyboard and monitor on separate articulating arms to get the maximum vertical movement and articulation. The dual arm workstations are a favorite of ergonomists and offers users more freedom of movement. Here are a few examples of our dual arm workstations:

- **Dual 182 Workstation - 1:** Complete monitor and keyboard articulating mount with 24" of vertical lift with a second UL182 for an additional monitor or device.
- **Dual 180 Workstation - 2:** Separate UL180 articulating mounts for monitor and keyboard worksurface.
- **Dual 180 Workstation - 3:** Complete UL180 articulating mount with a laptop tray and separate mount for an additional monitor.

For more information on ICW solutions, please email sales@icwusa.com or call 1-800-558-4435 to speak to one of our product specialists.

Dual 180 Workstation - 3

