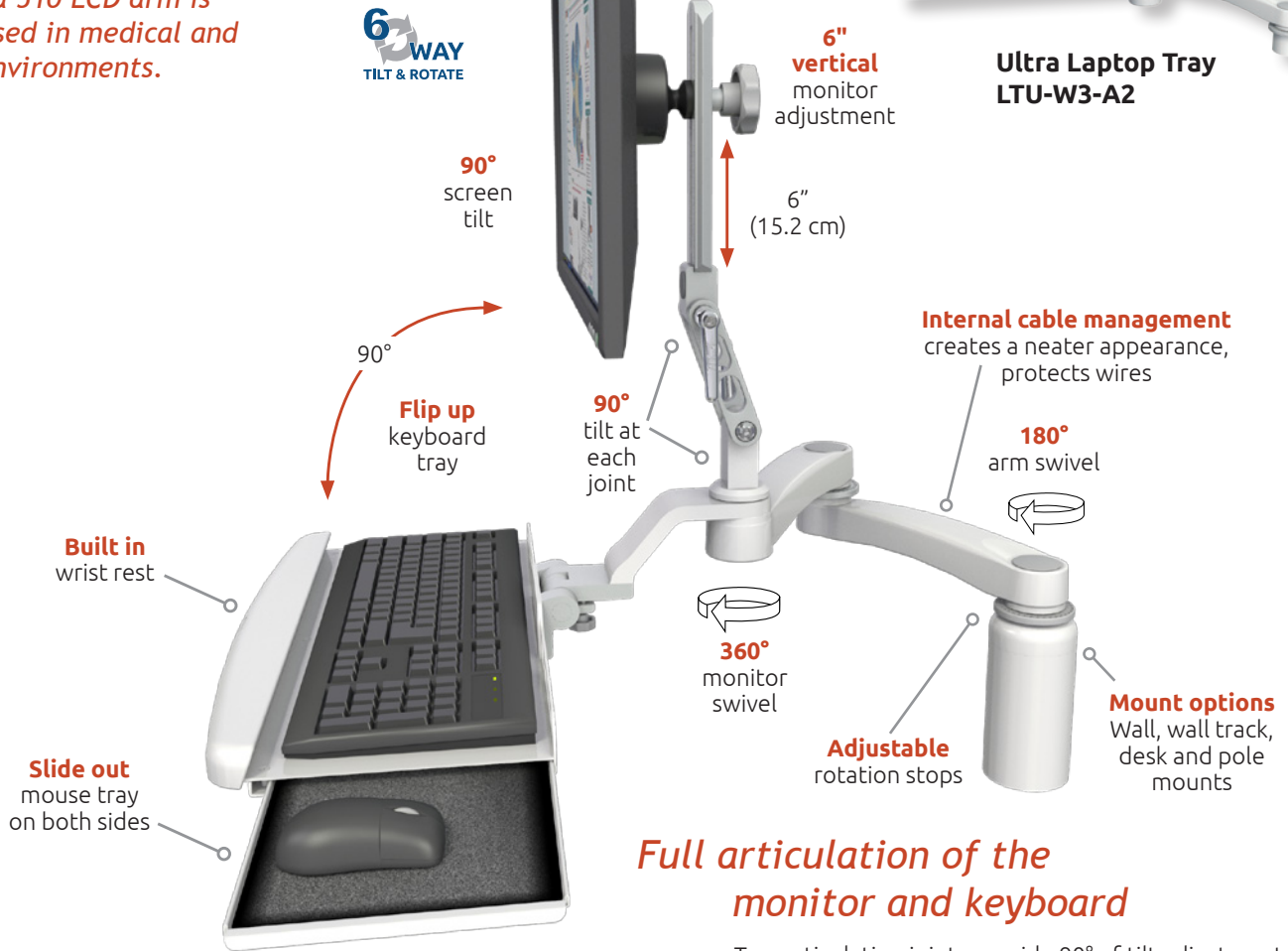


UL510-W3-KUB-A2

*Move components together—
adjust them separately*

The Ultra 510 LCD arm is widely used in medical and dental environments.



Monitor, keyboard and mouse not included.

Full articulation of the monitor and keyboard

- Two articulating joints provide 90° of tilt adjustment.
- This system can be mounted with two articulating extension arms, allowing for up to 37.5" of reach with a keyboard tray.
- Machined from billet aluminum, the unit is powder coated for a durable, lasting finish.
- Hand assembly ensures that a quality product is shipped to you.

Maximum Reach	Screen Swivel	Screen Tilt
37.54" (95.35 cm)	360°	90°

- Load capacity: 18 lbs (8.2 kg)
- Maximum reach: 37.5" (95.4 cm)
- Stowed depth: 4.5" (11.4 cm) LCD only, 9.75" (24.8 cm) LCD and keyboard
- Arm swivel at mount: 180°
- Screen swivel: 360°
- Screen tilt: 90°
- VESA interface: 75 mm and 100 mm

*Need a custom solution?
Contact your ICW Rep
for more information.*

Range of Motion Video



Select a color

Specify one of our durable powder coated finishes with your order:

Gloss White (MW), Writable Black (WB), A-dec Tan (T), Pelton Putty (P), and Quartz Gray (QG)



Range of Motion and Dimension Drawings

DESK MOUNT
UL510-D7-KUB-A1



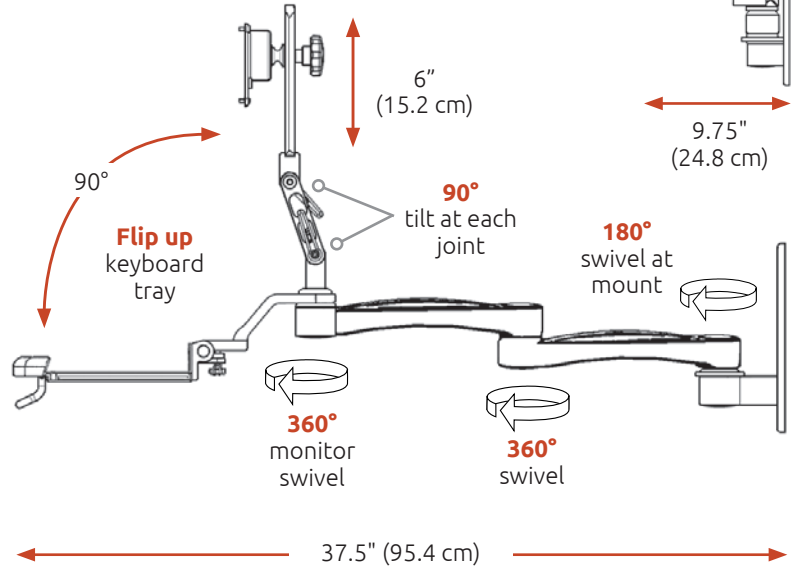
POLE MOUNT
UL510-P15-KUB



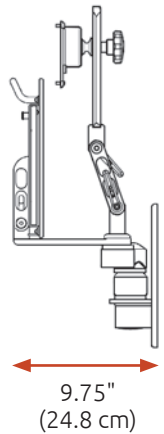
WALL TRACK MOUNT
UL510-T36-KUP-A1



EXTENDED



STOWED



WALL MOUNT OPTIONS



DESK MOUNT OPTIONS

