

ICW UL500i CEILING MOUNT INSTALLATION

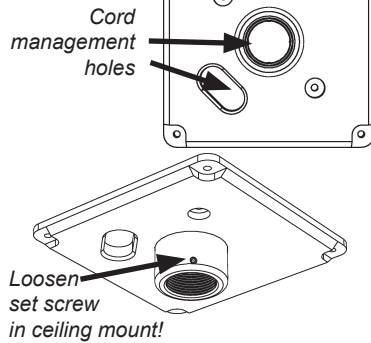
ICWUSA.com, Inc.

If you have any questions, please call 1-800-558-4435

MOUNT ARM

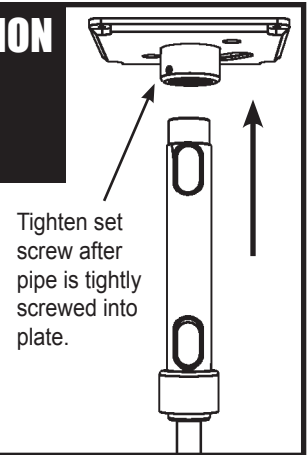
MOUNT SQUARE CEILING PLATE

Using four 1/4 x 2" lag bolt provided in hardware bag, secure ceiling mount to a solid wood surface or ceiling joist. Use square pattern or inline pattern, always being sure to use all 4 bolts. Run cords through center hole or the cord management port. Be sure to loosen set screw **BEFORE** attaching ceiling pipe.



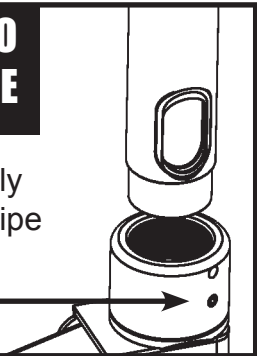
ATTACH EXTENSION PIPE TO CEILING MOUNT PLATE

Thread the extension pipe into the ceiling mount plate and tighten the set screw.



ATTACH ARM TO EXTENSION PIPE

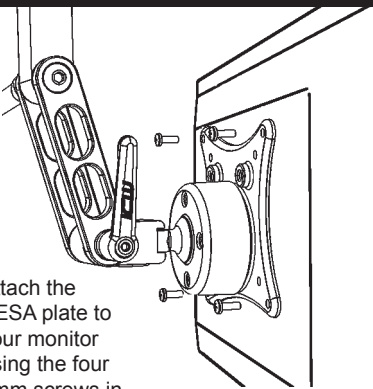
Thread arm tightly onto extension pipe then tighten set screw.



MOUNT MONITOR

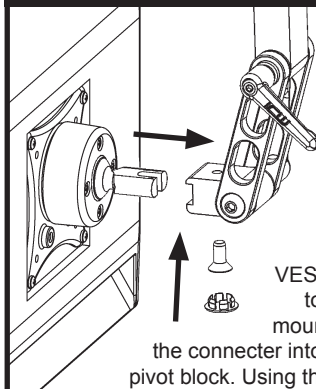
ATTACH VESA TO MONITOR

Attach the VESA plate to your monitor using the four 4mm screws in the hardware bag.



ATTACH VESA TO UL 500

Mount the VESA assembly to the friction mount by sliding the connector into the UL500 pivot block. Using the 5/32" hex key, secure flat head screw back into place.



ADJUST TILT HANDLES

Use the handles to adjust the tilt of the monitor.

