



QUICKLINK CEILING MOUNT INSTALLATION

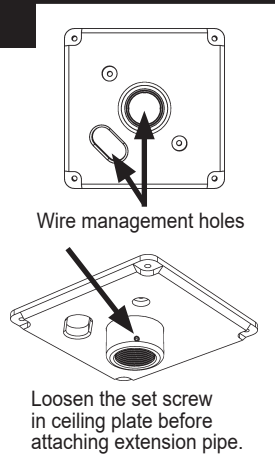
ICWUSA.com, Inc.

If you have any questions please call Toll Free 1-800-558-4435

MOUNT SQUARE CEILING PLATE

Using four 1/4 x 2" lag bolts provided in hardware bag, secure ceiling plate to a solid wood surface or ceiling joist. Use square pattern or inline pattern. Be sure to use all four bolts.

Run wires through center hole or wire management port. Loosen set screw BEFORE attaching extension pipe.

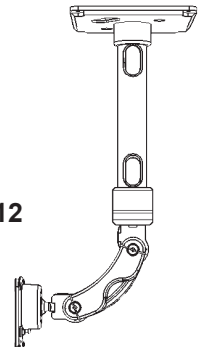


Wire management holes

Loosen the set screw in ceiling plate before attaching extension pipe.

▶ **MAXIMUM LOAD CAPACITY**
10-25 LBS (4.5-11.3 KG)

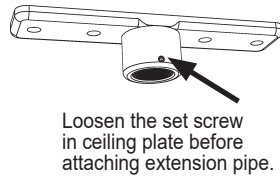
UL560i-C8X12



MOUNT INLINE CEILING PLATE

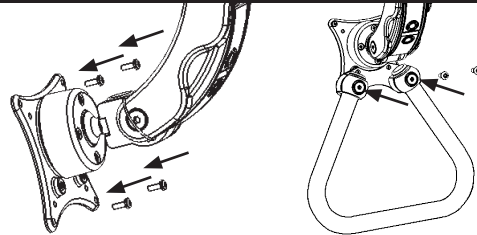
Firmly secure ceiling mount to solid ceiling joist using four #14 wood screws found in hardware bag. Be sure mount is level.

Loosen set screw BEFORE attaching extension pipe.



Loosen the set screw in ceiling plate before attaching extension pipe.

ATTACH VESA AND HANDLE TO MONITOR

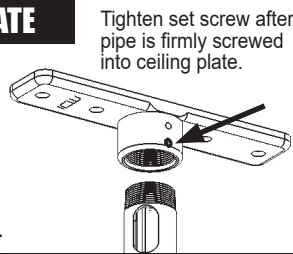


Using a Phillips screwdriver, attach the VESA plate to the back of the monitor using four 4mm screws in the hardware bag. Attach handle to VESA plate with 1/4-20 furniture nuts using a 7/32" hex wrench.

ATTACH PIPE TO CEILING PLATE

Thread pipe into ceiling plate and tighten firmly. Tighten set screw AFTER arm is attached.

DO NOT loosen upper screw.

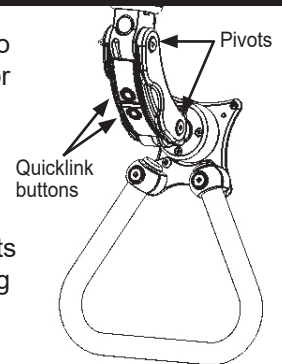


Tighten set screw after pipe is firmly screwed into ceiling plate.

ADJUST QUICKLINK TILT

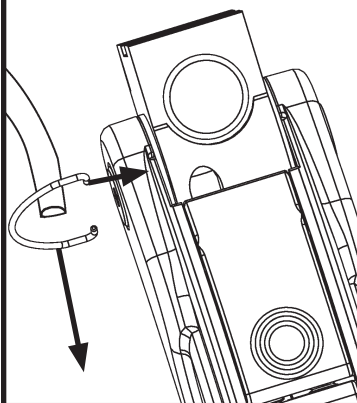
Use the under-monitor handle to rotate, tilt and swivel the monitor to desired position.

Increase range of motion by depressing buttons on back of Quicklink. Each button provides 90° of adjustment for its corresponding pivot. Depressing both buttons at once provides 180° of adjustment.



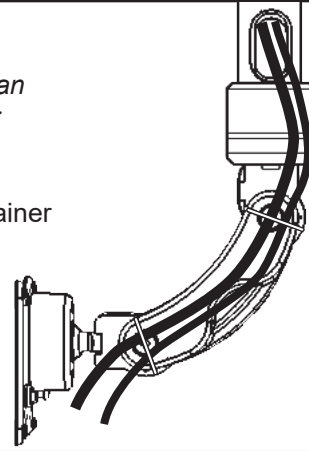
NOTICE: ICWUSA.COM, Inc. provides the appropriate hardware fasteners to match the majority if not all standard monitors and devices. It is the responsibility of the installer / integrator to ensure that the screws and fasteners have the adequate thread engagement. The rule of thumb is that the thread depth is greater than the diameter of the hole or 4 full turns of 360 degrees of thread engagement. It is also the responsibility of the installer / integrator to ensure that they do not damage the monitor or device by using a screw or fastener that is too long for hole and therefore damaging the unit by inserting too far.

QUICKLINK WIRE MANAGEMENT



NOTE: The two clips provided can be installed on either the right or left side of the Quicklink.

- Hook one end of the cable retainer clip into opening on Quicklink.
- Route cables through the clip.
- Hook other end of the clip into opening on opposite side of Quicklink to secure cables.
- Repeat for second clip.



CLEANING OF THE ICW MOUNTING DEVICE

When cleaning your ICW mounting unit please follow the points below. Proper cleaning of the mounting device will help assure proper function and extend the life of the unit.

1. Any general cleaner is acceptable except degreasers are not recommended near the bearing entrances.
2. Spray cleaner or water on a soft cloth or paper towel and then wipe down the mounts.
3. Do not spray directly at the bearing seams (located at all swivel points) as this could reduce the life of the bearings.