



The Pro Slide's track provides smooth, effortless movement for the user while eliminating potential chatter and offers a unique professional wire management system that is both aesthetic and protects cables from damage.

**PRO SLIDE OVERCABINET COMPUTER WORKSTATION WITH KEYBOARD**  
*Upcoming Release: November 2020*

The Pro Slide Overcabinet Monitor Mount (UL182I-PS28-XU25), shown above, features an articulating Ultra 182 arm connected to a drop pole with an easy-to-use handle below the monitor.

## Pro Slide Overcabinet Monitor Mount

*Convenient and Durable Overcabinet Monitor Mount*

- **UNIVERSAL TRACK\*** can mount above any cabinet. Competitor's mounts will only fit on their own proprietary cabinets.
- **WILL NOT DAMAGE CABINET** with vertical movement as mount includes adjustable stop.
- **MOUNT SLIDES** 22" (55.9 cm) along standard 28.4" (72.1 cm) track which can be customized to extended or reduced lengths.
- **EASY ONE-FINGER MOVEMENT** vertically and horizontally without noisy chatter when the mount slides across the track
- **VERTICAL LIFT** is 15" (38.1 cm).
- **DOES NOT REQUIRE A COMPRESSOR** to operate.
- **CYCLE-TESTED FOR 80,000 SLIDES** with no damage or noticeable wear.
- **WEIGHT-TESTED ON STANDARD CABINET MATERIAL AND FASTENERS FOR 166 lbs. (75 kg)** with no damage to the mount or cabinet.
- **CABLING IS DISCREETLY HIDDEN** in the slide track and internally through the mount.
- **5-YEAR WARRANTY.**

### Specifications

Load Capacity	0-28 lbs (0-12.7 kg)**
Vertical Lift	24" (61 cm)
Usable Vertical Lift	15" (38.1 cm)
Track Length	28.4" (72.1 cm)
Usable Track Slide Length	22" (55.9 cm)
Swivel at Track	360****

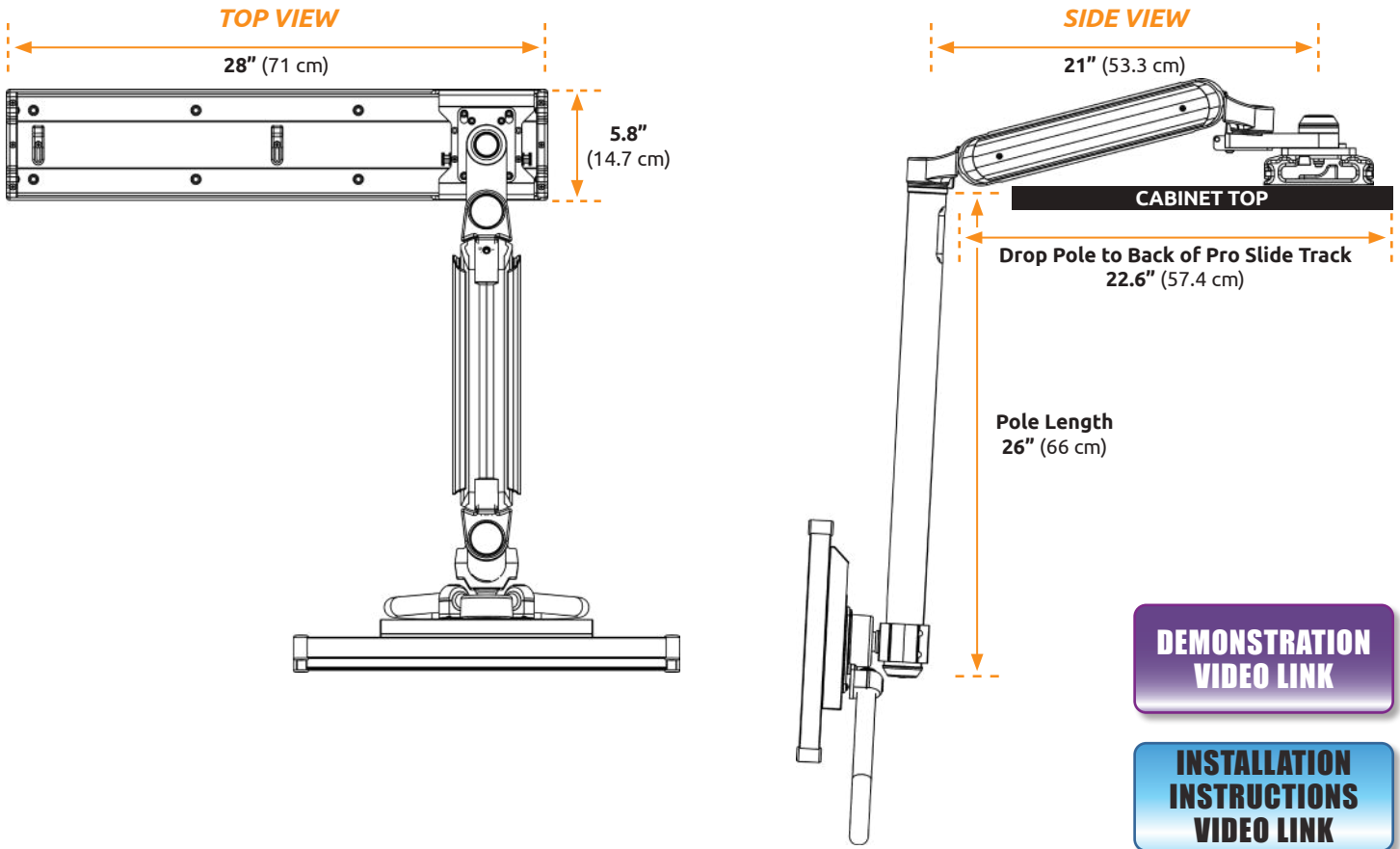
\*Custom tracks can be cut to length by request.  
 \*\*Load capacity depends on the capacity of the components mounted on the clamp. The clamp does not decrease or increase the mount's load capacity.  
 \*\*\*\*Swivel limited to 180° when cabinet is against wall.



For more information, contact your ICW representative or talk to one of our customer service representatives at 1-800-558-4435.

Visit our website [www.icwusa.com](http://www.icwusa.com)

## Dimension Drawings



## Pro Slide Overcabinet Mount Range of Movement

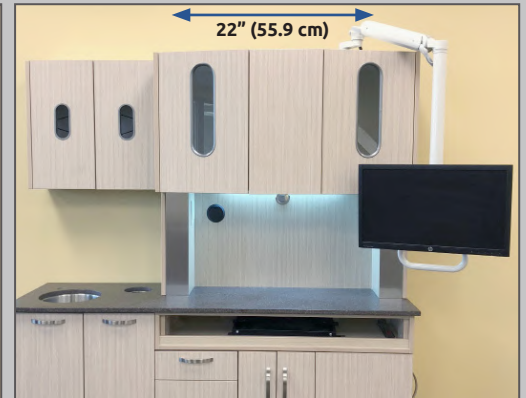
The Pro Slide track allows the mount to glide across the top of the cabinet to either side and conveniently stows out of the way when not in use.



Rotates 360° at track and 180° when against wall.



Features 15" (38.1 cm) of vertical movement.



Mount slides 22" (55.9 cm) along track. Custom lengths available.

Available in these 5 standard colors and 9 custom colors.



ICWUSA.com, Inc.  
 1487 Kingsley Drive  
 Medford, OR 97504  
 800-558-4435

For more information, contact your ICW representative or talk to one of our customer service representatives at 1-800-558-4435.