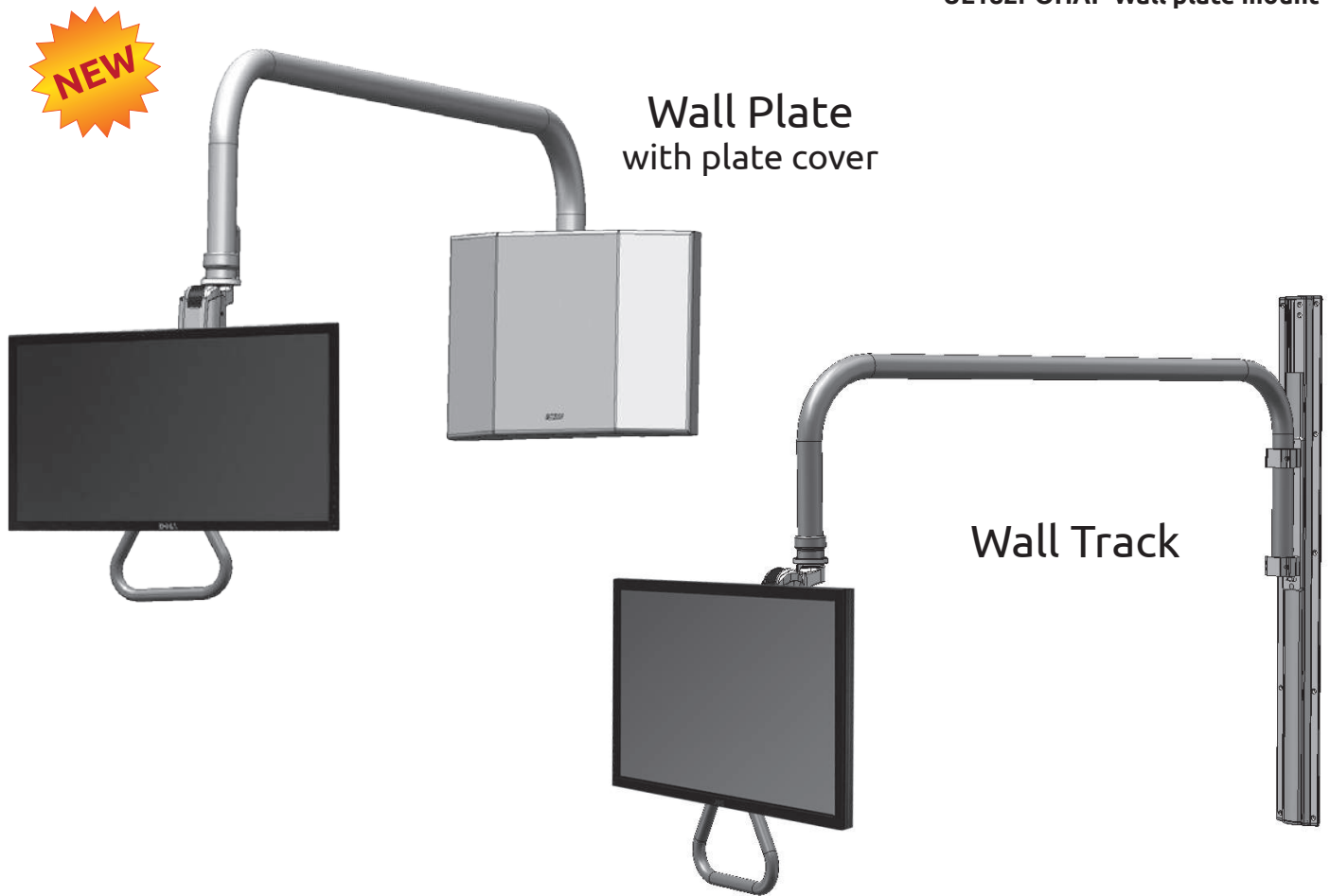


UL182i-OHAT Wall track mount
UL182i-OHAP Wall plate mount



Exceptional reach for a monitor

ICW's unique Overhead mounting arm is an excellent solution for healthcare, dental and industrial applications that require long reach and extensive range of motion for a monitor.

- Monitor adjusts 24" (61 cm) vertically and 360° horizontally, easily tilts 90°, swivels and rotates to any viewing angle.
- Supports up to 28 lbs (12.7 kg) while providing effortless movement.
- Attaches to the wall or above a cabinet, providing 180° of horizontal rotation at the mount.
- Monitor stows up and out of the way.
- Internal wire management for regular or low voltage.

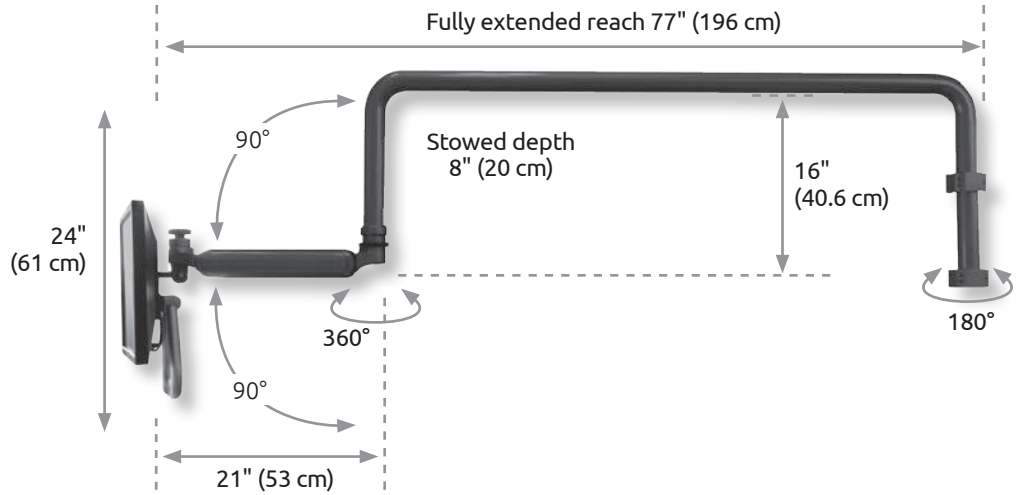
Specifications

Load capacity	28 lbs (12.7 kg)
Maximum horizontal reach	77" (196 cm)
Vertical adjustment range	24" (61 cm)
Horizontal swivel	180° at mount
Stowed depth	8" (20 cm)
Mounting surface	Wall track or wall plate
Ultra 182 arm swivel	360°
Monitor swivel	360°
Monitor tilt	90°
VESA interface	75mm and 100mm
Finish	Powder coat

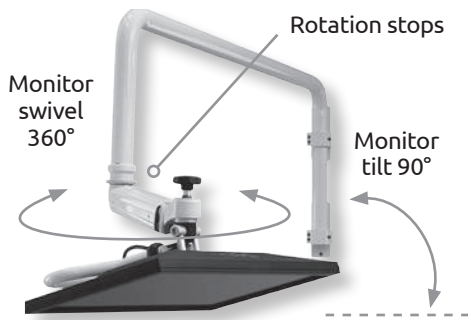


Range of Motion and Dimension Drawings

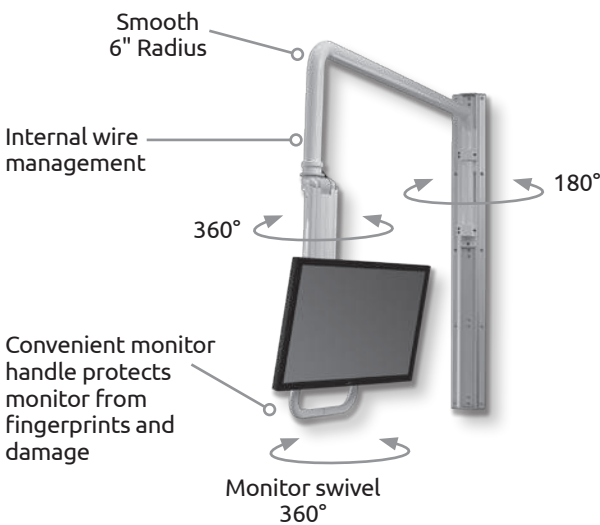
- ONLY MONITOR MOUNT with 24" of vertical adjustability.
- 77" of horizontal reach; total side-to-side reach of 154" (12.8 feet).
- 360° of monitor pivot and swivel.



ADJUSTABILITY

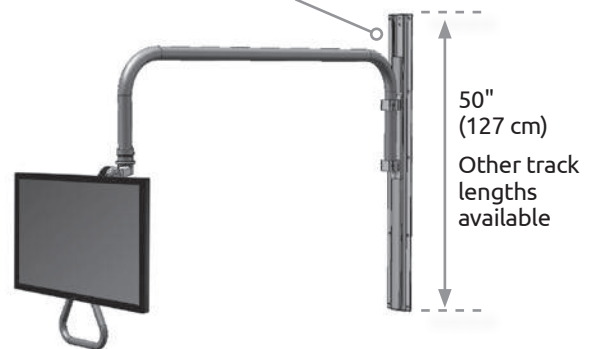


Monitor rotates to any viewing angle

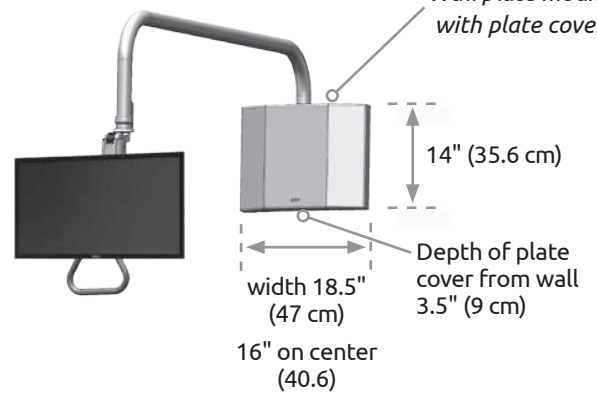


MOUNTING OPTIONS

UL182i-OHAT
Wall track mount



UL182i-OHAP
Wall plate mount with plate cover



ICWUSA.com, Inc.
1487 Kingsley Drive
Medford, OR 97504
800-558-4435

Available in these 5 standard colors and 9 custom colors.

