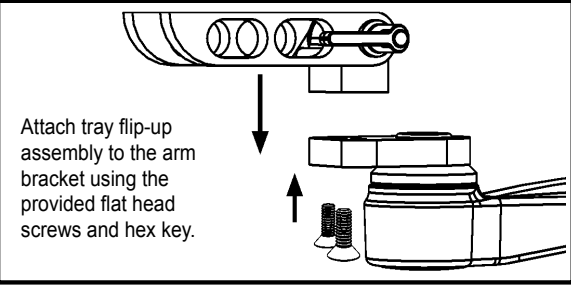


ATTACH ARM TO MOUNT

Follow instructions below for your style of mount.

ATTACH FLIP UP



Attach tray flip-up assembly to the arm bracket using the provided flat head screws and hex key.

IMPORTANT:

DO NOT flip up tray when laptop is placed on it.

MANAGE CABLES

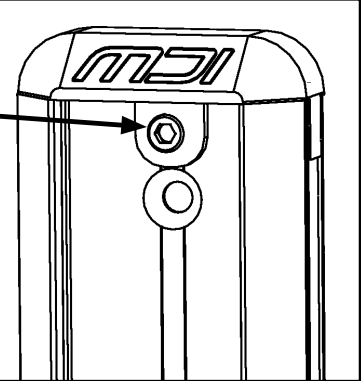
Follow instructions on next page.

IF MOUNTING TO THE ULTRA WALL TRACK

MOUNT ULTRA TRACK TO WALL

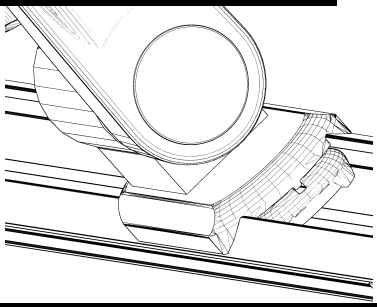
- Remove small socket head cap screw in the top center of the Wall Track. Remove plastic cover.
- Locate the wall stud and mark the top hole of the Wall Track.
- Drill 11/64 pilot hole, insert #14 screw and tighten slightly. Use a level, mark the lower holes, drill pilot holes and then insert the #14 screws.

NOTE: #14 Wood screws are supplied with unit. If installing into metal studs, you will need to replace these with proper metal stud fasteners



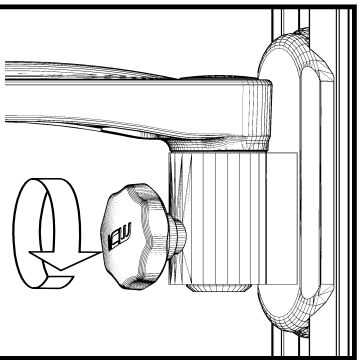
ATTACH SLIDER TO ULTRA TRACK

Insert Slider into Wall Track as shown at left and replace the small socket head cap screw and plastic cover.



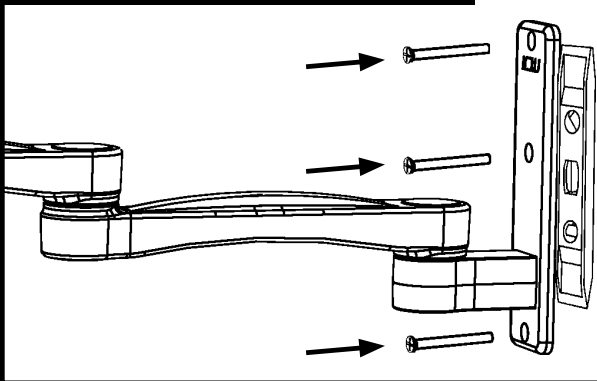
Once you have adjusted the slider to the desired height, tighten down the Track Slider using the handle on the slider as shown.

Once tight, make sure the handle is positioned so that it is pointing down as far as possible. Pull and turn handle to position.



IF MOUNTING TO THE WALL

ATTACH WALL PLATE TO WALL



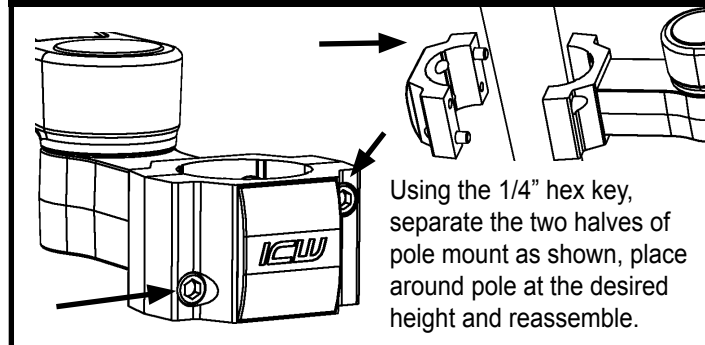
Locate the stud and mark the top hole, drill 11/64 pilot hole and insert #14 screw and tighten slightly. Using a level, mark the lower hole and drill pilot hole, insert #14 screw and, with the unit level, tighten both screws.

NOTE: ICW supplies #14 wood screws. If installing onto metal studs, you will need to replace with proper metal stud fasteners.

LAPTOP TRAY ARM INSTALLATION

IF MOUNTING TO A POLE

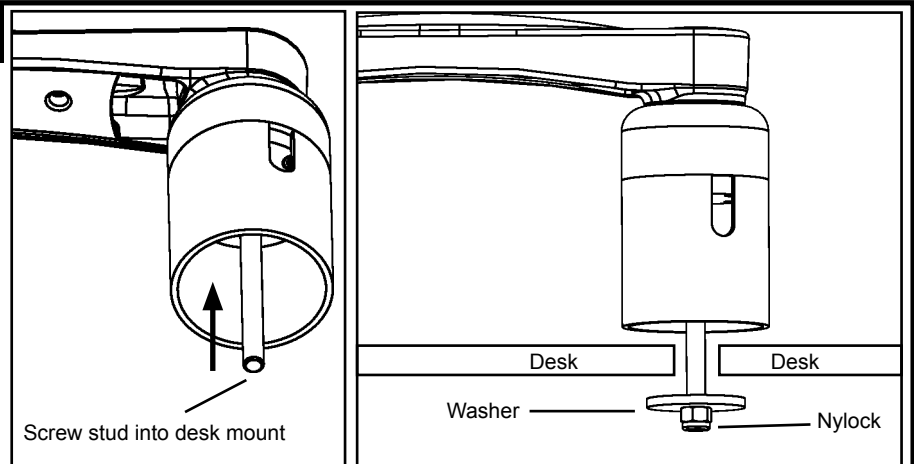
ATTACH POLE CLAMP TO POLE



IF MOUNTING TO A DESK

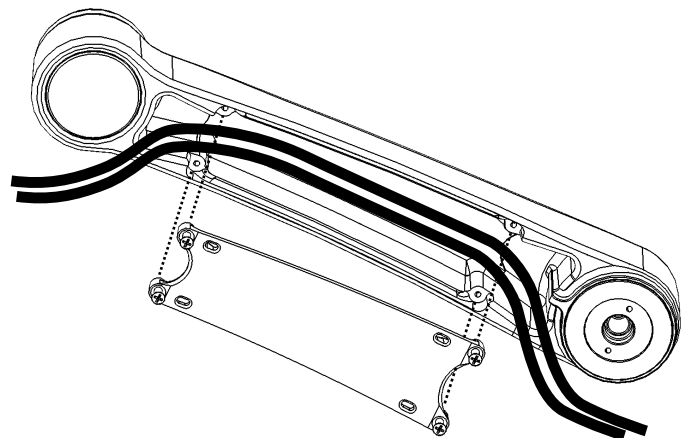
ATTACH DESKMOUNT TO DESK

Drill a 3/8 hole through the horizontal surface you intend to mount to and push the 3/8 stud on the desk mount through the hole. Slip the large mounting washer over the stud from underneath, add the 3/8 split-washer, and secure in place with the 3/8 nylock.



ULTRA CORD MANAGEMENT

1. Prepare all cables to route within the arm by placing them near cavity of arm and bundling together if necessary.
2. Remove cover by unscrewing four socket head cap screws. Screws are captured by the cover so they cannot fall out. Once screws are disengaged, pull cover out of arm.
3. Place cables within the channel. Do not block the holes where screws will engage in arm.
4. Replace cover and tighten screws. Cables should be able to pull through to desired position if necessary.



WARNING: Provided hook-and-loop fastener strips are intended to hold laptop in place when tray is level. They are NOT intended to secure the laptop when tray is flipped up into stowed position.