

*Worksurface tray, keyboard tray and mouse tray in one compact, streamlined unit*



- Use worksurface with stowed keyboard
- Use extended keyboard tray and worksurface together
- Use keyboard with worksurface flipped up
- Both worksurface and keyboard tray flip up to stow compactly
- Mounts to most ICW arms



Range of Motion Video

*Need a custom solution? Contact your ICW Rep for more information.*

**Width** 18.5" (47 cm)
 **Extended Depth** 17.5" (44.5 cm)
 **Swivel** 180°

**Load capacity:** 28 lbs (12.7 kg)  
**Worksurface dimensions:** 18.5" x 10" (47 x 25.4 cm)  
**Keyboard retracted depth:** 13" (33 cm)  
**Keyboard extended depth:** 17.5" (44.5 cm)  
**Stowed depth without arm:** 4" (10 cm)  
**Swivel:** 180°

*Designed for convenience*

- Slim profile worksurface has generous area for charting, scanning and mousing.
- Keyboard tray easily adjusts to positive tilt, negative tilt and neutral position.
- Slide-out mouse tray on both left and right sides of keyboard tray.
- Rotates independently from mounting arm.
- Powder coated for durability in your choice of five color options.

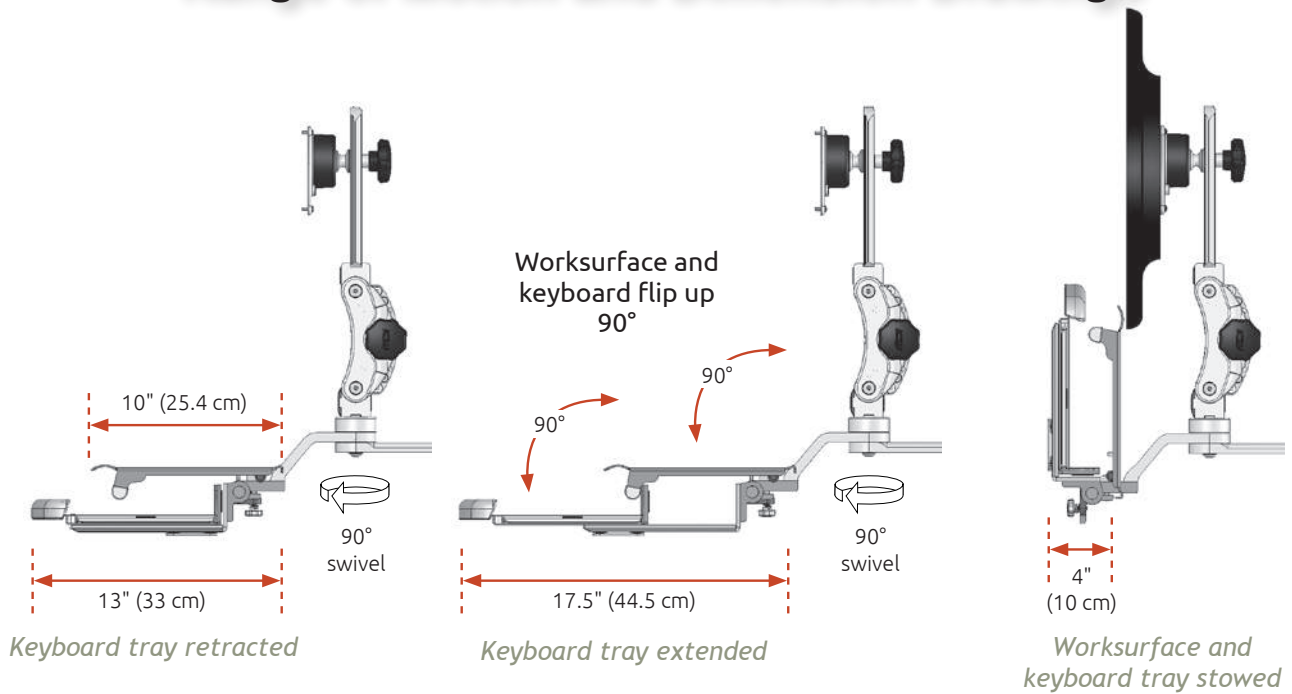
*Select a color*

Specify one of our durable powder coating finishes with your order:

Gloss White (MW), Writable Black (WB), A-dec Tan (T), Pelton Putty (P), and Quartz Gray (QG)



# Range of Motion and Dimension Drawings



## INDEPENDENT KEYBOARD TRAY TILTS WHILE WORKSURFACE REMAINS LEVEL

