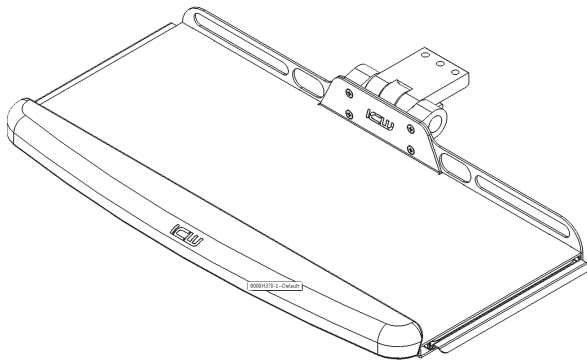


ICW KEYBOARD TRAY INSTALLATION

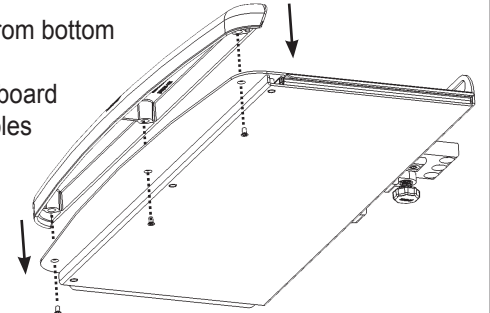
ICWUSA.com, Inc.

If you have any questions, please call 1-800-558-4435



ATTACH WRIST REST TO KEYBOARD TRAY

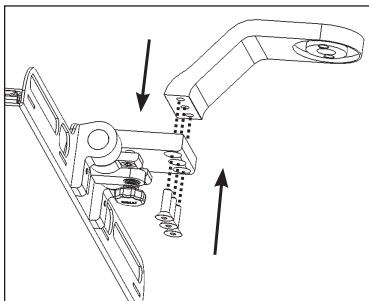
1. Remove screws from bottom of wrist rest.
2. Align holes in keyboard tray with screw holes in wrist rest.
3. Attach wrist rest using the screws and a phillips screwdriver.



IF ATTACHING TO ULTRA FLIP-UP

ATTACH FLIP UP

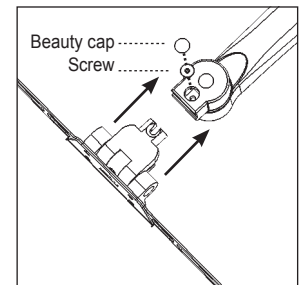
1. Remove screws from drop extension using 5/32" hex key.
2. Align holes in keyboard tray with screw holes in drop extension.
3. Attach keyboard tray using the provided screws.



IF ATTACHING TO QUICK DISCONNECT

ATTACH QUICK DISCONNECT

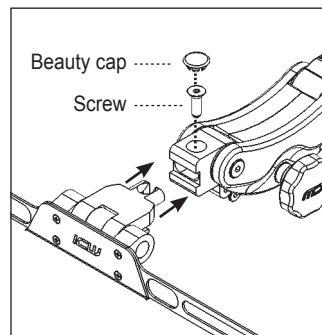
1. Remove beauty cap on quick disconnect block.
2. Remove screw using 3/16" hex key.
3. Slide keyboard tray into quick disconnect block.
4. Replace screw and tighten.
5. Replace beauty cap.



IF ATTACHING TO PARALINK

ATTACH PARALINK

1. Remove beauty cap on Paralink.
2. Remove screw using 3/16" hex key.
3. Slide keyboard tray into Paralink.
4. Replace screw and tighten.
5. Replace beauty cap.



ATTACH PARALINK KEYBOARD TO MONITOR

Attach the Paralink Keyboard Mount to the Monitor Mount by using the 3/8-16 screw and lock washer provided.

