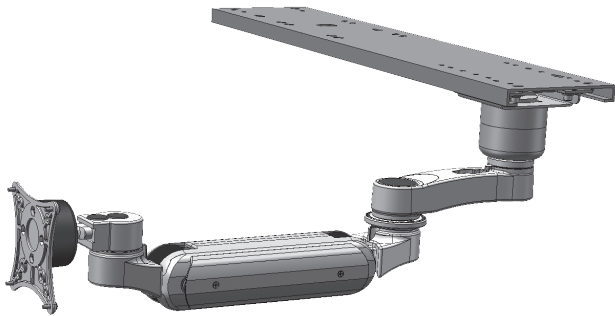




ULTRA 180i UNDERCABINET INSTALLATION

ICWUSA.com, Inc.

If you have any questions please call Toll Free 1-800-558-4435

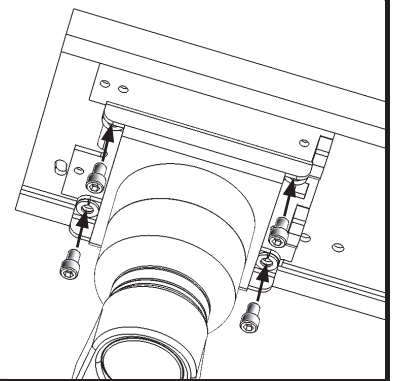


Available in 3 configurations

▶ **MAXIMUM MONITOR WEIGHT:
32 LBS (14.5 KG)**

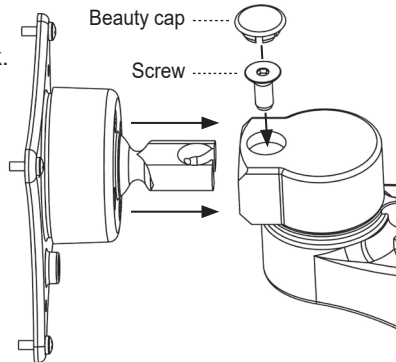
ATTACH ULTRA ARM TO TRACK

- Attach Inverted Ultra 180 arm plate to undercabinet track slider.
- Use the four socket head screws that are attached to the track slider.
- Tighten screws using provided 3/16" hex key.



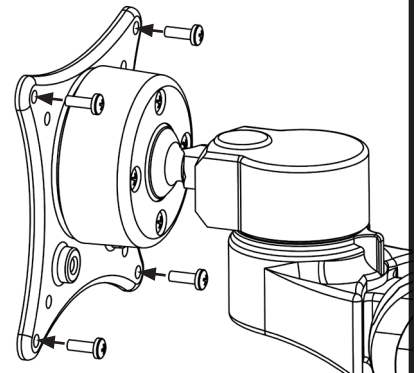
ATTACH VESA TO ULTRA ARM

- Remove beauty cap on Quick Disconnect block.
- Remove screw using 3/16" hex key.
- Slide VESA into Quick Disconnect block.
- Replace screw and tighten.
- Replace beauty cap.



ATTACH VESA TO MONITOR

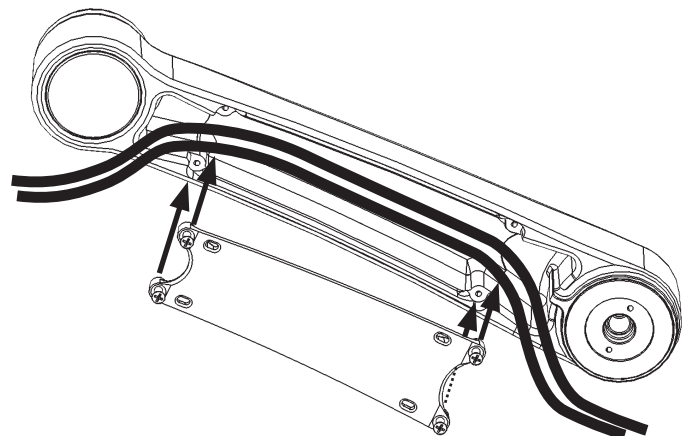
Attach VESA to monitor using a Phillips screwdriver and the four 4mm screws in hardware bag.



Ultra Arm Cable Management

ULTRA CABLE MANAGEMENT

- Prepare all cables to route within the arm by placing them near cavity of arm and bundling together if necessary.
- Remove cover by unscrewing four socket head cap screws. Screws are captured by the cover so they cannot fall out. Once screws are disengaged, pull cover out of arm.
- Place cables within the channel. Do not block the holes where screws will engage in arm.
- Replace cover and tighten screws. Cables should be able to pull through to desired position if necessary.

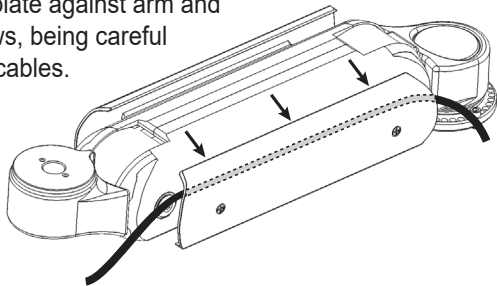


ULTRA 180i UNDERCABINET INSTALLATION

Ultra 180 Arm Cable Management

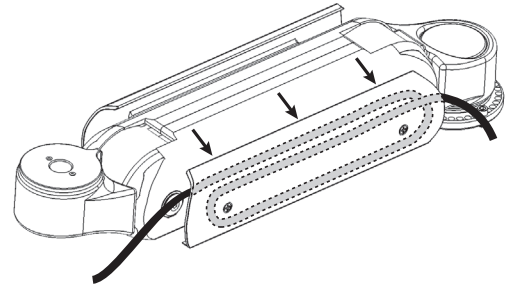
RUN CABLES THROUGH UL180 ARM

- Cover plate is spring loaded. Loosen cover plate screws on side of arm just enough to fit cables through gap.
- Run cables loosely between cover plate and arm. Cables can be run on either or both sides of the arm.
- Push cover plate against arm and tighten screws, being careful not to pinch cables.



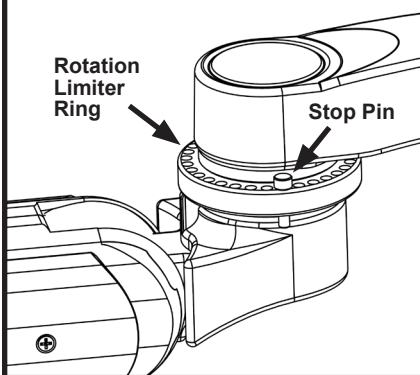
STORE CABLE INSIDE COVER PLATE

Extra cable can be looped inside the cover plate to provide a neater appearance and simplify cleaning.

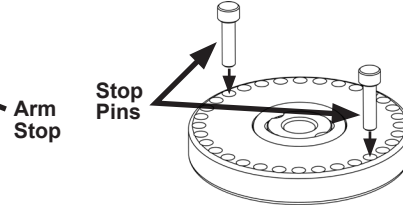
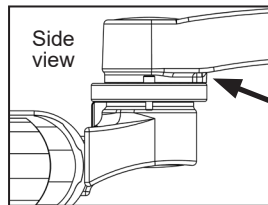


Adjusting Rotation Limits

ADJUST ROTATION LIMITS - UL180i UNDERCABINET



- Place stop pins in the holes of the rotation limiter ring where the arm should stop its horizontal rotation.
- The stop pin bumps the arm stop under the arm, stopping the arm's movement.
- The stop pins can be removed and repositioned by hand.



Adjusting Arm Tension

IMPORTANT

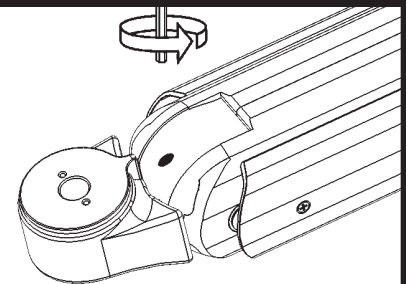
Extend the UL180 straight out and be sure all equipment is mounted on the arm before adjusting the arm's resistance. Use the T-handle provided to adjust the arm's resistance. Do not use power tools to adjust.

DO NOT ADJUST THE ARM TO SUPPORT MORE THAN 32 LBS. DOING SO MAY DAMAGE THE ARM.

NOTICE: ICWUSA.COM, Inc. provides the appropriate hardware fasteners to match the majority if not all standard monitors and devices. It is the responsibility of the installer / integrator to ensure that the screws and fasteners have the adequate thread engagement. The rule of thumb is that the thread depth is greater than the diameter of the hole or 4 full turns of 360 degrees of thread engagement. It is also the responsibility of the installer / integrator to ensure that they do not damage the monitor or device by using a screw or fastener that is too long for hole and therefore damaging the unit by inserting too far.

ADJUST UL180 ARM TENSION

Using the 3/16" T-handle hex wrench provided, turn the screw in the UL180 arm clockwise to lighten the arm's load resistance, or counter-clockwise to increase the load resistance.



CLEANING OF THE ICW MOUNTING DEVICE

When cleaning your ICW mounting unit please follow the points below. Proper cleaning of the mounting device will help assure proper function and extend the life of the unit.

1. Any general cleaner is acceptable except degreasers are not recommended near the bearing entrances.
2. Spray cleaner or water on a soft cloth or paper towel and then wipe down the mounts.
3. Do not spray directly at the bearing seams (located at all swivel points) as this could reduce the life of the bearings.