



TITAN ELITE CEILING & WALL MOUNT INSTALL

ICWUSA.com, Inc.

If you have any questions please call Toll Free 1-800-558-4435

► **MAXIMUM LOAD CAPACITY:**
28 LBS (12.7 KG)

ICW recommends wood or metal stud mounting only.

DANGER!

The Elite arm contains high pressure gas springs. The following cautions **MUST** be observed to avoid serious injury.

- **Do not** attempt to adjust the arm until all components are mounted (monitor, keyboard, etc.)
- **Arm must be completely horizontal** (extended) before adjusting the arm's tension. Failure to do so will damage the arm and void the warranty.
- **NEVER loosen or remove any of the shoulder bolts.** Doing so will cause the arm to immediately come apart with tremendous force, and could cause serious injury.
- If equipment requiring AC power is mounted to this unit, have a certified electrician inspect the installation.
- Failure to install this unit according to these instructions will void all ICW warranties. If installed incorrectly, ICW is not liable for any damage or injury caused by the unit.

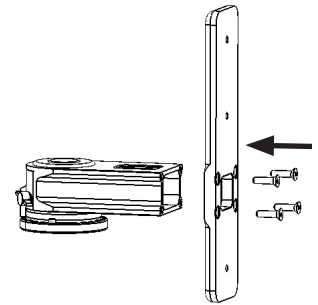
IMPORTANT

DO NOT use power tools to assemble or adjust the arm. Use hand tools **ONLY**.

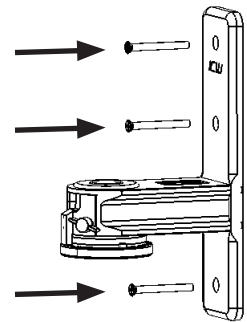
Wall Mount

MOUNT WALL EAR & PLATE

Using the 3/16 hex key provided, attach wall plate to ear with four 1/4-20 screws provided.



Locate stud and mark top hole, drill 11/64 pilot hole and insert #14 screw and tighten slightly. Using a level, mark lower holes and drill pilot holes. Insert #14 screws and, with unit level, tighten all screws.

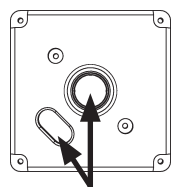


NOTE: ICW supplies #14 wood screws. If installing onto metal studs, you will need to replace with proper metal stud fasteners.

Ceiling Mount

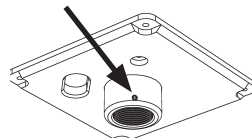
MOUNT SQUARE CEILING PLATE

Using four 1/4 x 2" lag bolts provided in hardware bag, secure ceiling plate to a solid wood surface or ceiling joist. Use square pattern or inline pattern. Be sure to use all four bolts.



Wire management holes

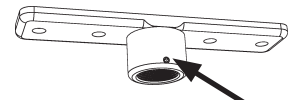
Run wires through center hole or wire management port. Loosen set screw **BEFORE** attaching pipe. Screw extension pipe into ceiling plate, then tighten set screw.



Loosen the set screw in ceiling plate before attaching extension pipe.

MOUNT INLINE CEILING PLATE

Firmly secure ceiling mount to solid ceiling joist using four #14 wood screws found in hardware bag. Be sure mount is level.

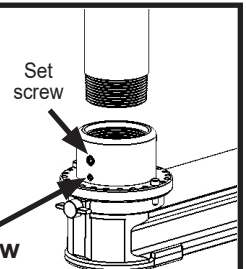


Loosen the set screw in ceiling plate before attaching extension pipe.

Loosen set screw **BEFORE** attaching pipe. Screw extension pipe into ceiling plate, then tighten set screw.

ATTACH ARM TO EXTENSION PIPE

Thread arm onto extension pipe and tighten. **AFTER** arm is firmly attached, tighten set screw with 5/32 hex key.

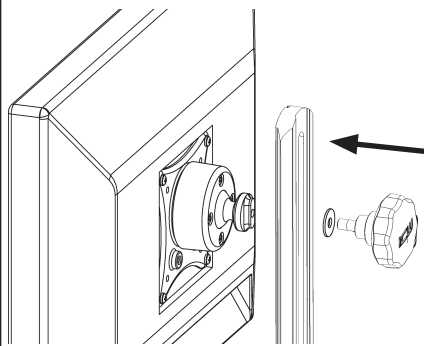


DO NOT loosen lower, smaller screw without instructions from ICW.

TITAN ELITE CEILING & WALL MOUNT INSTALL

Attach Monitor - Paralink

ATTACH VESA (PARALINK)



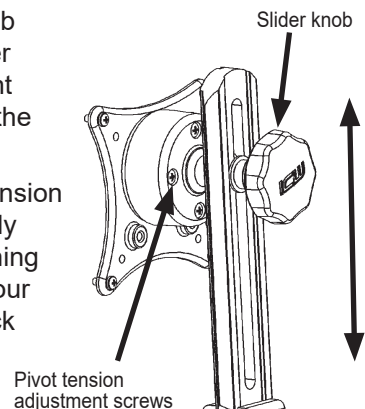
Attach VESA to monitor using four M4 screws in the hardware bag.

Mount the VESA assembly by screwing the knob through the rail into the VESA.

ADJUST BALL VESA TENSION & HEIGHT

Use the slider knob to loosen the slider to adjust the height of the monitor on the Paralink.

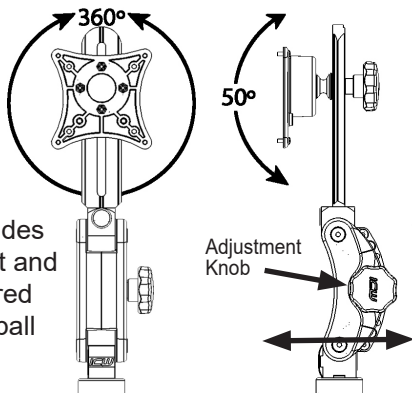
Adjust the pivot tension of the ball by gently and evenly tightening or loosening the four screws on the back of the ball VESA.



MONITOR TILT, ROTATION & ADJUST MONITOR DEPTH

MONITOR TILT & ROTATE

Gently hold sides of monitor. Tilt and rotate to desired position with ball VESA.

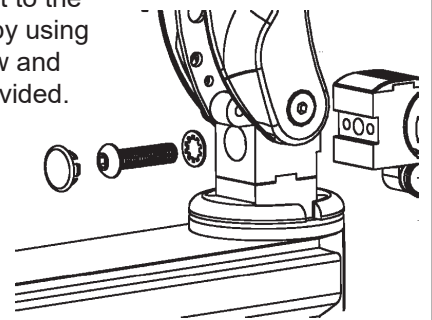


ADJUST MONITOR DEPTH

Loosen the adjustment knob, move the Paralink forward or back, then re-tighten the knob.

ATTACH PARALINK KEYBOARD TO MONITOR

Attach the Paralink Keyboard Mount to the Monitor Mount by using the 3/8-16 screw and lock washer provided.

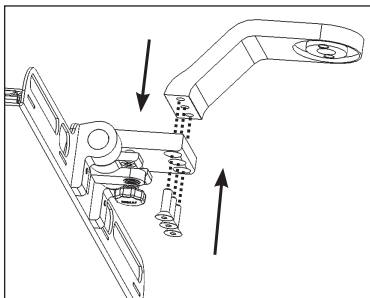


Attach Keyboard Tray

IF ATTACHING TO ULTRA FLIP-UP

ATTACH FLIP UP

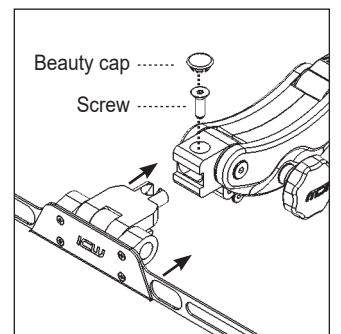
- Remove screws from drop extension using 5/32" hex key.
- Align holes in keyboard tray with screw holes in drop extension.
- Attach keyboard tray using the provided screws.



IF ATTACHING TO PARALINK

ATTACH PARALINK

- Remove beauty cap on Paralink.
- Remove screw using 3/16" hex key.
- Slide keyboard tray into Paralink.
- Replace screw and tighten.
- Replace beauty cap.

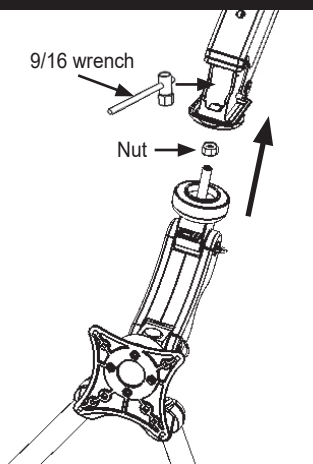


TITAN ELITE CEILING & WALL MOUNT INSTALL

Attach QuickLink & Monitor

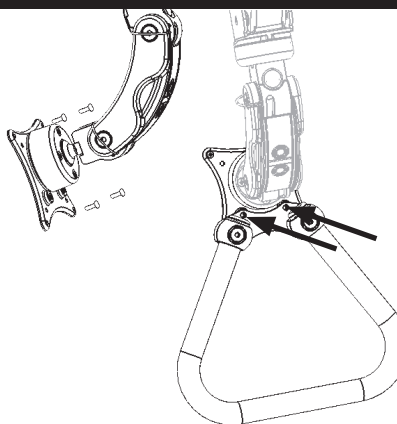
ATTACH QUICKLINK TO ARM

Remove nut from bolt on QuickLink. Attach QuickLink to arm. Thread nut onto bolt through front of arm assembly. Tighten bolt with provided 9/16" wrench.



ATTACH VESA AND HANDLE TO MONITOR

Using a Phillips screw driver, attach the VESA plate to the back of the monitor using four 4mm screws in the hardware bag.

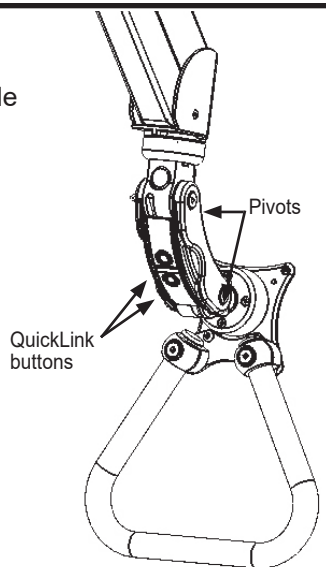


Attach handle to VESA plate.

ADJUST QUICKLINK TILT

Use the under-monitor handle to rotate, tilt and swivel the monitor to desired position.

Increase range of motion by depressing buttons on back of QuickLink. Each button provides 90° of adjustment for its corresponding pivot. Depressing both buttons at once provides 180° of adjustment.



Cord Management - Wall Mount

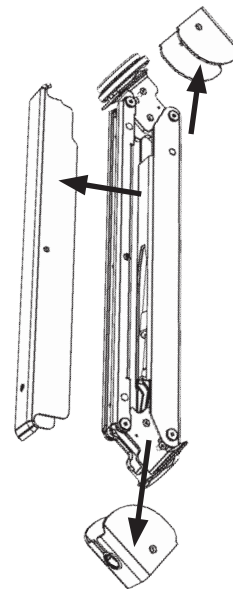
REMOVE ELITE ARM COVERS

END COVERS

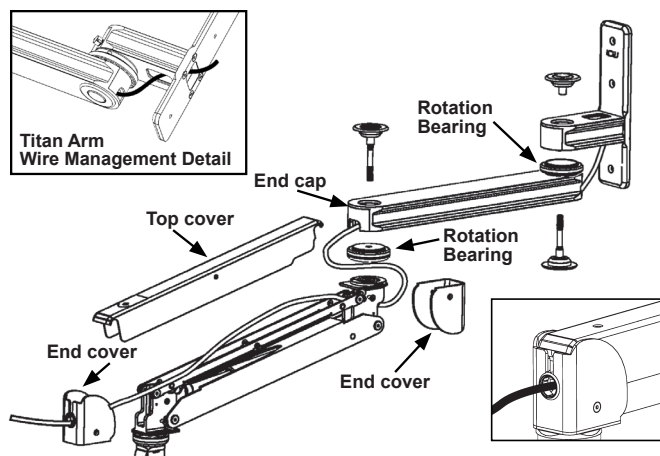
Remove the end covers by unscrewing the two 3/4" long 10-24 flathead screws using a Phillips head screwdriver.

TOP COVER

Remove the long arm cover by unscrewing the two 1/4" long 6-32 flathead screws in the center of the cover using a Phillips head screwdriver. If you use a power tool, be very careful not to strip the screws. The arm needs to be in a vertical position to remove the long top cover.



MANAGE CORDS THROUGH ARM - WALL MOUNT



Feed monitor and other cords and any other cords down through opening in wall mount. Slip all cords through Titan arm, out through end cap and into the back of the Elite arm. When running cords through arm, keep them all to one side of bolts at Titan arm joints. Pass cords through holes in Elite arm end covers. Reassemble arm and reattach covers.

NOTE: When measuring for length of cords, be sure to allow enough extra cord to accommodate tilt and rotation of monitor.

NOTE: CORDS CAN BE DAMAGED IF JOINTS ARE ROTATED MORE THAN 360 DEGREES. USE ROTATION STOP PINS TO AVOID DAMAGE.

TITAN ELITE CEILING & WALL MOUNT INSTALL

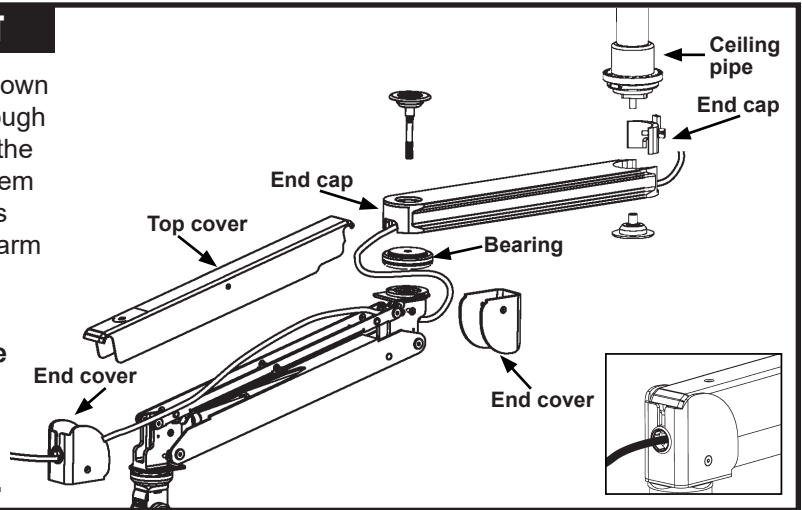
Cord Management - Ceiling Mount

MANAGE CABLES THROUGH ARM - CEILING MOUNT

Feed monitor and other cords and any other cords down through the ceiling extension pipe. Slip all cords through Titan arm, out through end cap and into the back of the Elite arm. When running cords through arm, keep them all to one side of bolts at Titan arm joints. Pass cords through holes in Elite arm end covers. Reassemble arm and reattach covers.

NOTE: When measuring for length of cords, be sure to allow enough extra cord to accommodate tilt and rotation of monitor.

NOTE: CORDS CAN BE DAMAGED IF JOINTS ARE ROTATED MORE THAN 360 DEGREES. USE ROTATION STOP PINS TO AVOID DAMAGE.



REATTACH ARM COVERS

TOP COVERS:

Reattach the long arm covers by replacing the two 1/4" long 6-32 flathead screws in the center of the cover using a Phillips head screwdriver.

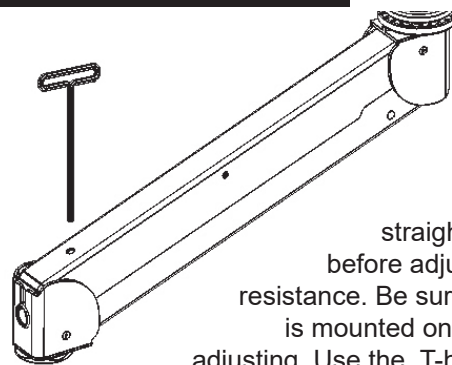
CENTER COVER:

Reattach the center cover by replacing the four 3/4" long 10-24 flathead screws using a Phillips head screwdriver.

END COVERS:

Reattach the end covers by replacing the two 3/4" long 10-24 flathead screws using a Phillips head screwdriver.

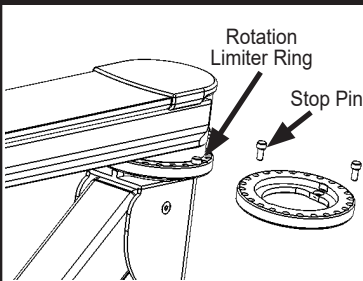
ADJUST ARM RESISTANCE



Extend the arm straight out as shown before adjusting the arm's resistance. Be sure all equipment is mounted on the arm before adjusting. Use the T-handle provided to adjust the arm's resistance.

DO NOT USE POWER TOOLS TO ADJUST.

ADJUST ROTATION STOPS



Rotation limits for the arm are set by placing stop pins in the holes where you want the arm to stop. The stop pins can be removed and set by hand.

NOTICE: ICWUSA.COM, Inc. provides the appropriate hardware fasteners to match the majority if not all standard monitors and devices. It is the responsibility of the installer / integrator to ensure that the screws and fasteners have the adequate thread engagement. The rule of thumb is that the thread depth is greater than the diameter of the hole or 4 full turns of 360 degrees of thread engagement. It is also the responsibility of the installer / integrator to ensure that they do not damage the monitor or device by using a screw or fastener that is too long for hole and therefore damaging the unit by inserting too far.

Torque Chart- In/lbs 2/23/2016

Minimum torque values			Monitor Mount		
Arm	Base Mount	Arm Joint	Paralink	EV710	Ultra
Elite	120	-	120	-	120
T2Elite	120	120	120	-	120
Titan (T2)	120	120	120	-	120
Ultra	120	120	120	85	120
UL180 / UL182	120	120	-	85	-
MD Arm	140	-	120	-	120

CLEANING OF THE ICW MOUNTING DEVICE

When cleaning your ICW mounting unit please follow the points below. Proper cleaning of the mounting device will help assure proper function and extend the life of the unit.

1. Any general cleaner is acceptable except degreasers are not recommended near the bearing entrances.
2. Spray cleaner or water on a soft cloth or paper towel and then wipe down the mounts.
3. Do not spray directly at the bearing seams (located at all swivel points) as this could reduce the life of the bearings.