



OVERHEAD ARM TRACK AND PLATE INSTALLATION

ICWUSA.com, Inc.

If you have any questions please call Toll Free 1-800-558-4435



**UL182-OHAT
Wall Track Mount**

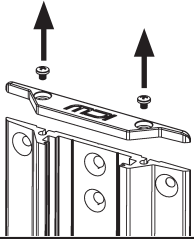


**UL182-OHAP
Wall Plate Mount**

▶ **MAXIMUM LOAD CAPACITY:
28 LBS (12.7 KG)**

REMOVE BEAUTY CAP

Using a Phillips drive, remove plastic cap on one end of track. Save this cap to put back on when track installation is complete.



MOUNT WALL TRACK TO WALL

MOUNTING LOCATION

Center mounting option

Locate the wall stud and mark the top center hole of the wall track. Drill a 11/64 pilot hole, insert a #14 screw and tighten slightly. Using a level, mark the 9 lower holes in the center of the track, drill pilot holes and then insert the #14 screws. Use all 10 screws.

Right or left mounting option

- Locate the wall stud. Align either right or left side of track with stud and mark one hole in the upper corner for track placement. Drill 11/64" pilot hole. Insert #14 screw and tighten slightly.

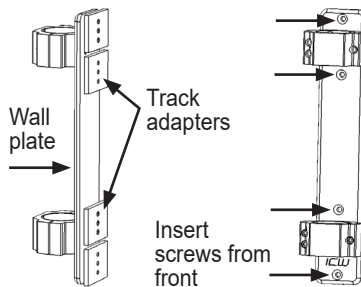
- Using a level, mark the remaining holes on the same side, drill pilot holes into stud. Insert #14 screws and, with the unit level, tighten screws.
- Insert provided Snap Toggles into outer corner holes on opposite side.

FOR METAL STUD

#14 wood screws are supplied with unit. If installing into **metal studs** you will need to replace these with proper metal stud fasteners. All hardware used to secure track mount must have a proper countersunk head.

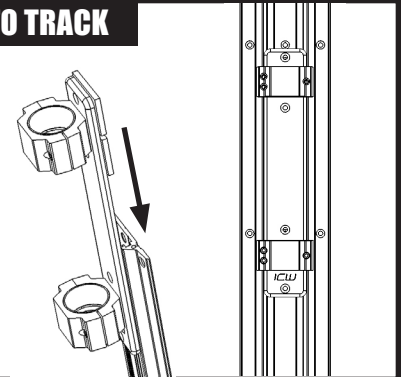
ATTACH TRACK ADAPTERS

Attach 4 track adapters to back of wall plate by threading socket head screws from front of wall plate into track adapters. Loosely tighten with 3/16" hex key.



ATTACH WALL PLATE TO TRACK

Slide track adapters into track from either top or bottom. Position wall plate to desired location on track. Firmly tighten wall plate screws with 3/16" hex key.



CLEANING OF THE ICW MOUNTING DEVICE

When cleaning your ICW mounting unit please follow the points below. Proper cleaning of the mounting device will help assure proper function and extend the life of the unit.

1. Any general cleaner is acceptable except degreasers are not recommended near the bearing entrances.
2. Spray cleaner or water on a soft cloth or paper towel and then wipe down the mounts.
3. Do not spray directly at the bearing seams (located at all swivel points) as this could reduce the life of the bearings.

NOTICE: ICWUSA.COM, Inc. provides the appropriate hardware fasteners to match the majority if not all standard monitors and devices. It is the responsibility of the installer / integrator to ensure that the screws and fasteners have the adequate thread engagement. The rule of thumb is that the thread depth is greater than the diameter of the hole or 4 full turns of 360 degrees of thread engagement. It is also the responsibility of the installer / integrator to ensure that they do not damage the monitor or device by using a screw or fastener that is too long for hole and therefore damaging the unit by inserting too far.