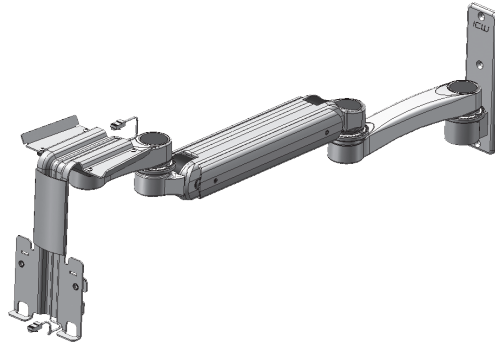


# MIDMARK DEVICE MOUNT INSTALLATION



ICW recommends mounting only to wood or metal studs.

▶ **MAXIMUM LOAD CAPACITY:**  
28 LBS. (12.7 KG)

## Hardware included:

- 3 pcs. 1/4"- 20 snaptoggle
- 3 pcs. 1/4"-20 x 2-1/4" flat, Phillips head, zinc plated, machine screw
- 3 pcs. #14 x 2-1/2" flat, Phillips head, zinc plated, wood screw
- 1 pc. ICW hex key set

## Tools needed:

- Drill
- Stud finder
- Level
- #2 Phillips driver
- #3 Phillips driver
- 11/64" drill bit
- 1/2" drill bit

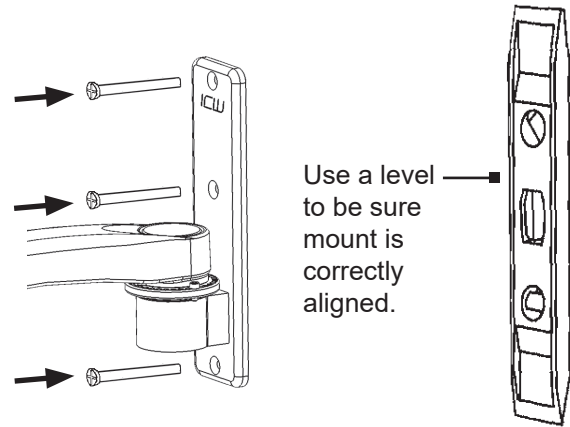
## MOUNT WALL PLATE TO WALL

### Mounting to Wood Stud

- Locate the wall stud and mark top hole for wall plate.
- Drill 11/64" pilot hole. Insert #14 x 2-1/2" flat, Phillips head wood screw and tighten slightly.
- Using a level, mark the lower holes and drill pilot holes.
- Insert #14 screws and, with the unit level, tighten all screws.

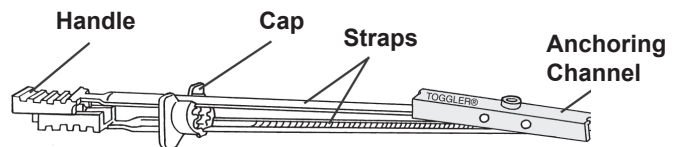
### Mounting to Metal Stud

- Locate the wall stud and mark top hole for wall plate.
- Drill 11/64" pilot hole.
- Install Snap Toggle following instructions below images.
- Insert 1/4"-20 x 2-1/4" flat Phillips head machine screw and tighten slightly.
- Using a level, mark the lower holes and drill pilot holes.
- Install Snap toggles and 1/4"-20 machine screws.
- With unit level, tighten all screws.

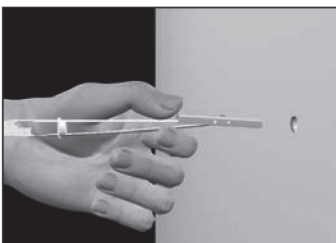


Use a level to be sure mount is correctly aligned.

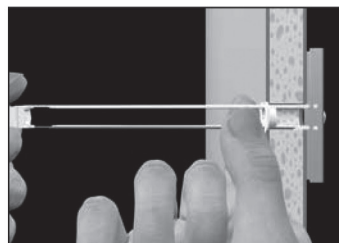
## Snap Toggle Instructions



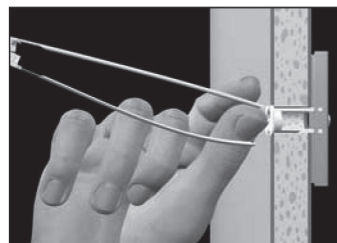
The plastic straps and cap washer are positioning and retention elements only. They do not otherwise function as anchoring elements. Holding is dependent only on a metal bolt to metal channel connection. The SnapToggle anchor complies with all existing fire codes for critical applications.



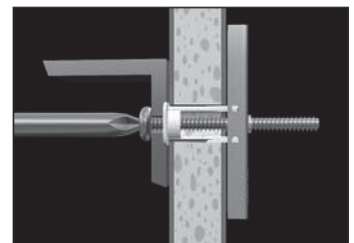
Drill 1/2" hole. Hold metal channel flat alongside plastic straps and slide channel through the hole. Minimum clearance behind wall is 1-7/8"



Hold ends of straps together between thumb and fore-finger and pull toward you until channel rests behind wall. Ratchet cap along straps with other hand until flange of cap is flush with wall.



Place thumb between straps at wall. Push thumb side to side, snapping off straps level with flange of cap.



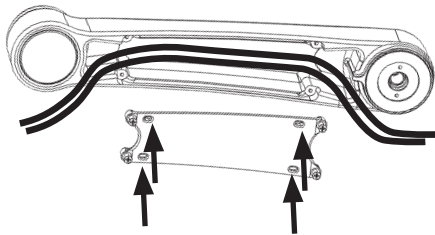
Place track over flange. Insert provided bolt and tighten until snug against track, then stop.

# MIDMARK DEVICE MOUNT INSTALLATION

## Ultra Arm Cable Management

### INSTALL CABLES IN ULTRA ARM

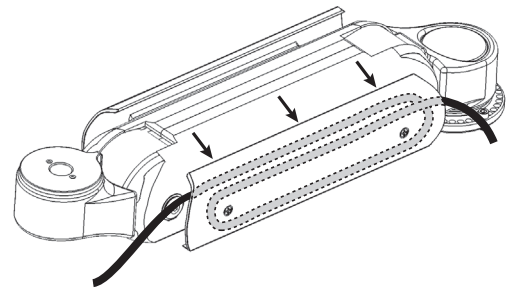
- Prepare all cables to route within the arm by placing them near cavity of arm and bundling together if necessary.
- Remove cover by unscrewing four socket Phillips head screws. Screws are captured by the cover so they cannot fall out. Once screws are disengaged, pull cover out of arm.
- Place cables within the channel. Do not block the holes where screws will engage in arm.
- Replace cover and tighten screws. Cables should be able to pull through to desired position if necessary.



## Ultra 182 Arm Cable Management

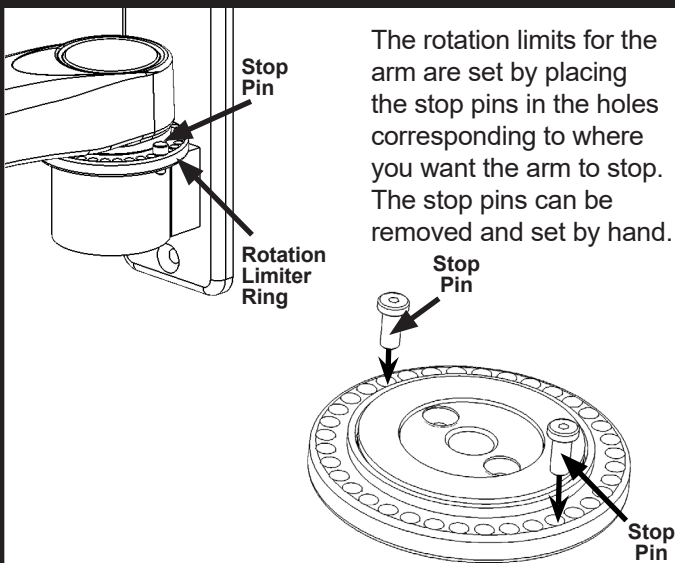
### RUN CABLES THROUGH 182 ARM

- Cover plate is spring loaded. Loosen cover plate screws on side of arm just enough to fit cables through gap.
- Run cables loosely between cover plate and arm. Cables can be run on either or both sides of the arm.
- Push cover plate against arm and tighten screws, being careful not to pinch cables.
- Extra cable can be looped inside the cover plate to provide a neater appearance and simplify cleaning.



## Adjusting Rotation Limits and Arm Tension

### ADJUST ROTATION LIMITS



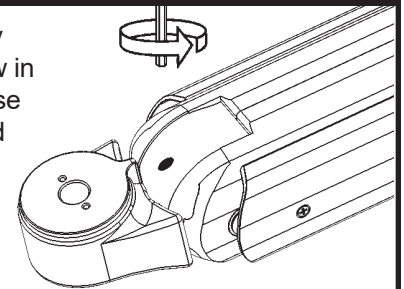
### CLEANING OF THE ICW MOUNTING DEVICE

When cleaning your ICW mounting unit please follow the points below. Proper cleaning of the mounting device will help assure proper function and extend the life of the unit.

1. Any general cleaner is acceptable except degreasers are not recommended near the bearing entrances.
2. Spray cleaner or water on a soft cloth or paper towel and then wipe down the mounts.
3. Do not spray directly at the bearing seams (located at all swivel points) as this could reduce the life of the bearings.

### ADJUST ARM TENSION

Using the 3/16" hex key provided, turn the screw in the UL182 arm clockwise to lighten the arm's load resistance, or counter-clockwise to increase the load resistance.



### IMPORTANT

Extend the UL182 straight out and be sure all equipment is mounted on the arm before adjusting the arm's resistance. Use the 3/16" hex key provided to adjust the arms' resistance.

*Do not use power tools to adjust.*

**DO NOT ADJUST THE ARM TO SUPPORT MORE THAN 28 LBS. DOING SO MAY DAMAGE THE ARM.**

NOTICE: ICWUSA.COM, Inc. provides the appropriate hardware fasteners to match the majority if not all standard monitors and devices. It is the responsibility of the installer / integrator to ensure that the screws and fasteners have the adequate thread engagement. The rule of thumb is that the thread depth is greater than the diameter of the hole or 4 full turns of 360 degrees of thread engagement. It is also the responsibility of the installer / integrator to ensure that they do not damage the monitor or device by using a screw or fastener that is too long for hole and therefore damaging the unit by inserting too far.