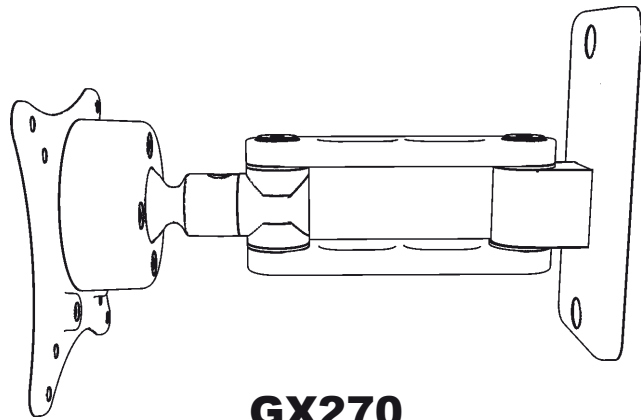
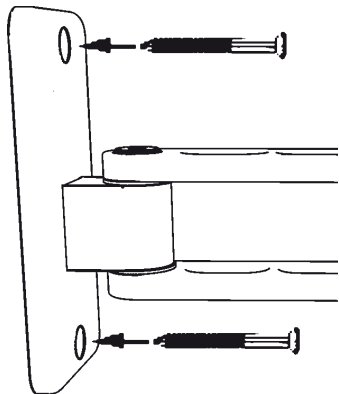


GX170

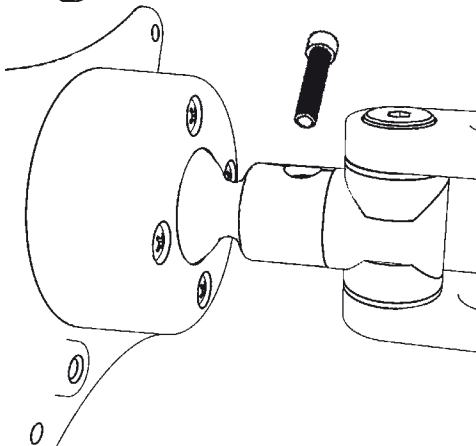


GX270



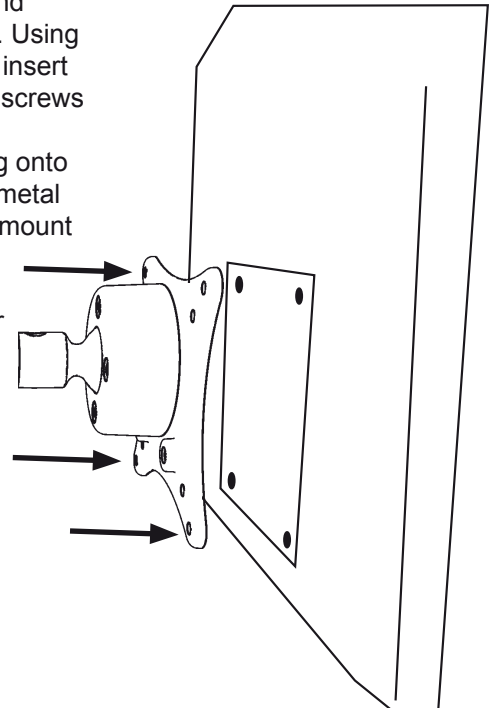
Locate a stud in the wall you intend to mount your arm on. Mark the top hole, drill 11/64 pilot hole and insert a #14 screw (provided) and tighten slightly. Using a level, mark the lower hole and drill a pilot hole, insert a #14 screw and with the mount level, tighten all screws securely.

Note: ICW supplies #14 wood screws. If installing onto metal studs you will need to replace with proper metal stud fasteners. All hardware used to secure wall mount must have a proper countersunk head.



Use the provided 3/16" wrench to attach the ball joint to the mount.

Secure your monitor to the VESA plate using the four 4mm screws provided.



Adjust the pivot tension of the ball by gently and evenly tightening or loosening the four screws on the back of the ball VESA.

