

# ICW ELITE 5120 INSTALLATION

ICWUSA.com, Inc.

If you have any questions please call Toll Free 1-800-558-4435

▶ **MAXIMUM LOAD CAPACITY:**  
28 LBS (12.7 KG)

**ICW recommends wood or metal stud mounting only.**

## DANGER!

**The Elite arm contains high pressure gas springs. The following cautions MUST be observed to avoid serious injury.**

- **Do not** attempt to adjust the Elite arm until all components are mounted (monitor, keyboard, etc.)
- **Arm must be completely horizontal** (extended) before adjusting the arm's tension. Failure to do so will damage the arm and void the warranty.
- **NEVER loosen or remove any of the shoulder bolts.** Doing so will cause the arm to immediately come apart with tremendous force, and could cause serious injury.
- If equipment requiring AC power is mounted to this unit, have a certified electrician inspect the installation.
- Failure to install this unit according to these instructions will void all ICW warranties. If installed incorrectly, ICW is not liable for any damage or injury caused by the unit.

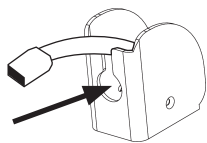
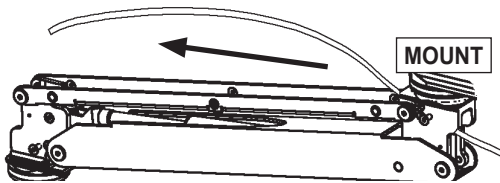
## IMPORTANT

**DO NOT use power tools to assemble or adjust the arm. Use hand tools ONLY.**

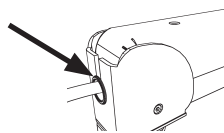
## Instructions for All Configurations

### MANAGE WIRES THROUGH ARM

Run wires through end frame and along channel.



Before reattaching arm covers, slip wires through end cover ports.



Reattach black plastic bushing around exiting wires.

### ATTACH ARM TO MOUNT

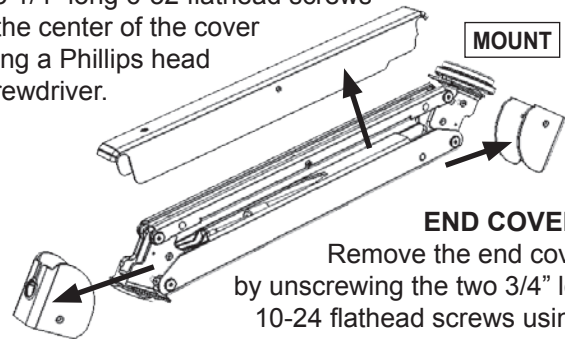
Follow instructions on the following pages for style of mount.

Ceiling Mount.....	Page 2
Quicklink .....	Page 2
Pole Mount .....	Page 3
Wall & Wall Track Mount.....	Page 3
Paralink.....	Page 4

### REMOVE ARM COVERS

#### TOP COVERS:

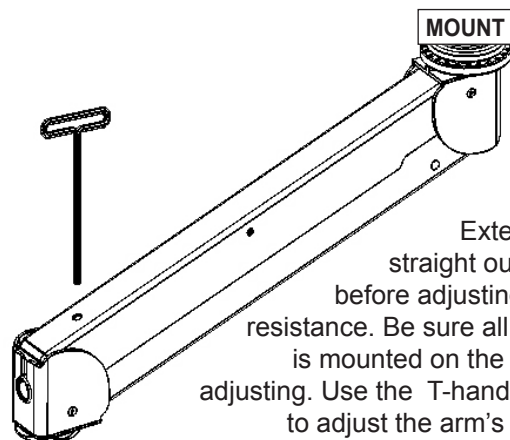
Remove the long arm covers by unscrewing the two 1/4" long 6-32 flathead screws in the center of the cover using a Phillips head screwdriver.



#### END COVERS:

Remove the end covers by unscrewing the two 3/4" long 10-24 flathead screws using a Phillips head screwdriver.

### ADJUST ARM RESISTANCE



Extend the arm straight out as shown before adjusting the arm's resistance. Be sure all equipment is mounted on the arm before adjusting. Use the T-handle provided to adjust the arm's resistance.

**DO NOT USE POWER TOOLS TO ADJUST.**

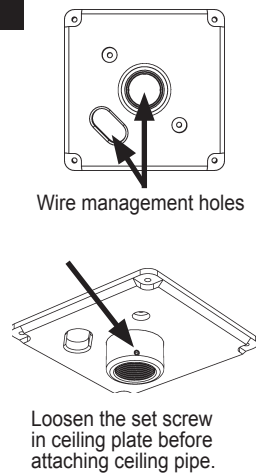
# ELITE 5120 INSTALLATION

## If Mounting to a Ceiling

### MOUNT SQUARE CEILING PLATE

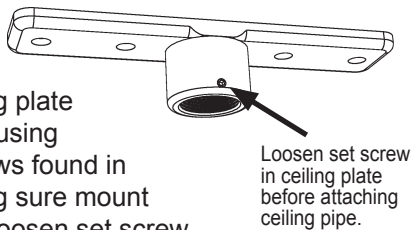
Using four 1/4 x 2" lag bolts provided in hardware bag, secure ceiling plate to a solid wood surface or ceiling joist. Use square pattern or inline pattern, always being sure to use all 4 bolts.

Run wires through center hole or wire management port. Be sure to loosen set screw **BEFORE** attaching ceiling pipe.



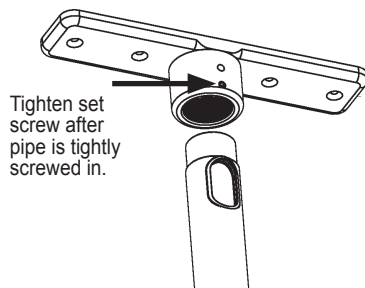
### MOUNT INLINE CEILING PLATE

Firmly secure ceiling plate to solid ceiling joist using four #14 wood screws found in hardware bag, being sure mount is level. Be sure to loosen set screw **BEFORE** attaching pipe.



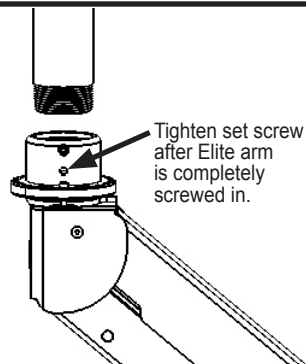
### ATTACH PIPE TO CEILING PLATE - INLINE & SQUARE

Screw extension pipe firmly into ceiling plate, then tighten set screw.



### ATTACH PIPE TO ARM

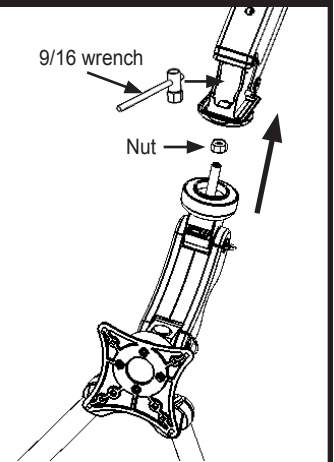
Screw Elite arm firmly onto extension pipe, then tighten set screw.



## If Using a Quicklink

### ATTACH PARALINK TO ARM

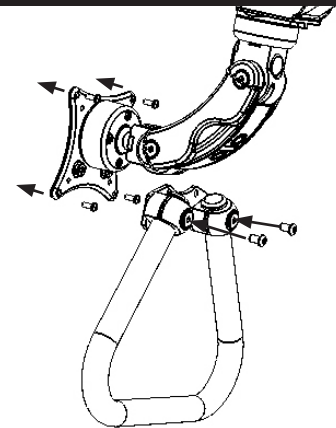
Remove nut from bolt on Quicklink. Attach Quicklink to arm. Thread nut onto bolt through front of arm assembly. Tighten bolt with provided 9/16 wrench.



### ATTACH VESA AND HANDLE TO MONITOR

Using a Phillips screw driver, attach the VESA plate to the back of the LCD monitor using four 4mm screws in the hardware bag.

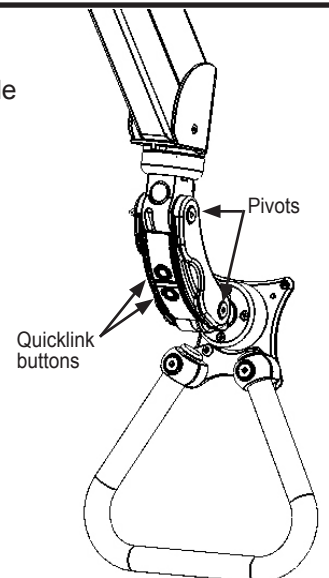
Attach handle to VESA plate.



### ADJUST QUICKLINK TILT

Use the under-monitor handle to rotate, tilt and swivel the monitor to desired position.

Increase range of motion by depressing buttons on back of Quicklink. Each button provides 90° of adjustment for its corresponding pivot. Depressing both buttons at once provides 180° of adjustment.

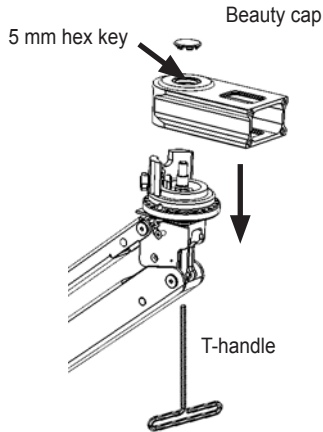


# ELITE 5120 INSTALLATION

## If Mounting to a Wall or Wall Track

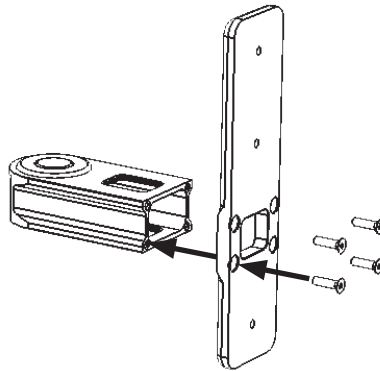
### REMOVE ARM FROM WALL EAR

Remove beauty cap. Using 5 mm hex key from above and T-handle from below, loosen bolt. Separate arm and wall ear.



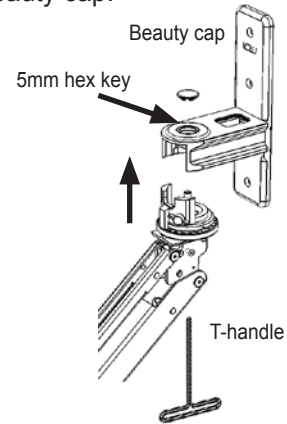
### ATTACH WALL PLATE TO WALL EAR

Attach wall plate to wall ear using provided 5 mm hex key and four 1/4-20 screws.



### REATTACH ARM TO WALL EAR

Align arm with wall ear and slide parts together. Using 5 mm hex key from above and T-handle from below, tighten bolt. Replace beauty cap.

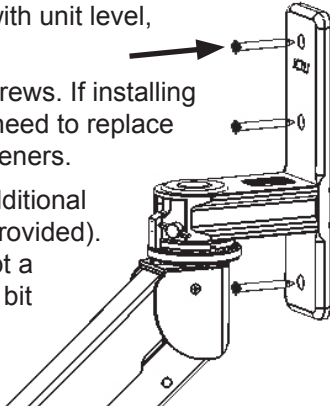


### ATTACH ARM TO WALL

- Locate stud and mark top hole.
- Drill 11/64 pilot hole and insert #14 screw and tighten slightly.
- Using a level, mark lower holes and drill pilot holes.
- Insert #14 screws and, with unit level, tighten all screws.

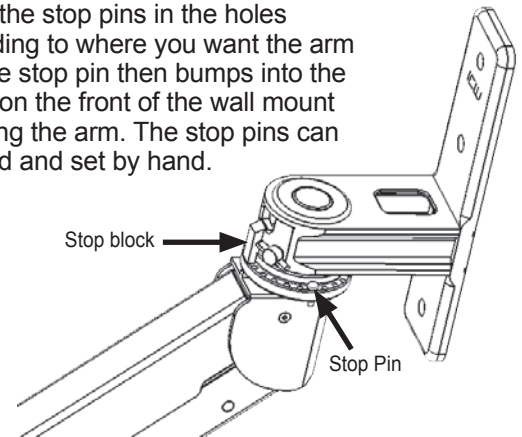
ICW supplies #14 wood screws. If installing onto metal studs, you will need to replace with proper metal stud fasteners.

To tighten center screw, additional tools may be helpful (not provided). Provided screws will accept a 90° bent Phillips or square bit nut driver on a short socket wrench.



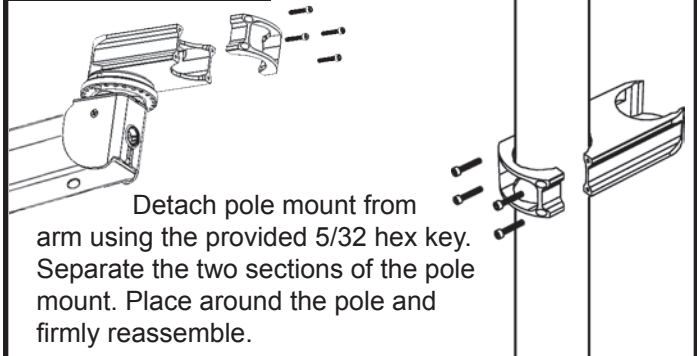
### ADJUST ROTATION LIMITS - WALL MOUNT

The rotation limits for the arm are set by placing the stop pins in the holes corresponding to where you want the arm to stop. The stop pin then bumps into the stop block on the front of the wall mount ear, stopping the arm. The stop pins can be removed and set by hand.



## If Mounting to a Pole

### ATTACH TO POLE



Detach pole mount from arm using the provided 5/32 hex key. Separate the two sections of the pole mount. Place around the pole and firmly reassemble.

### MOUNT TO WALL TRACK

**Attach wall track to wall using installation instructions provided with track.**

**Attach track adapters to back of wall ear** by threading socket head screws from front of wall ear into track adapters. Loosely tighten with 5/32" hex key.

**Attach wall plate to track** by sliding track adapters into track from either top or bottom. Position wall ear to desired location on track. Firmly tighten wall ear screws with 5/32 hex key.

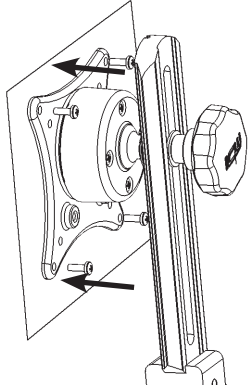
# ELITE 5120 INSTALLATION

If you have any questions please call Toll Free 1-800-558-4435

## If Using Paralink

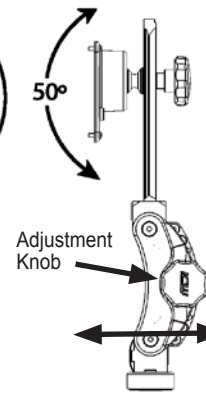
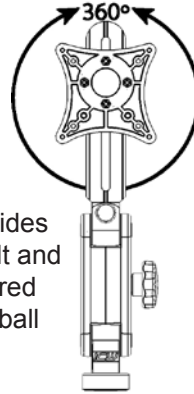
### ATTACH VESA TO MONITOR

Attach VESA to monitor using four 4mm screws in the hardware bag.



### MONITOR TILT, ROTATION & ADJUST MONITOR DEPTH

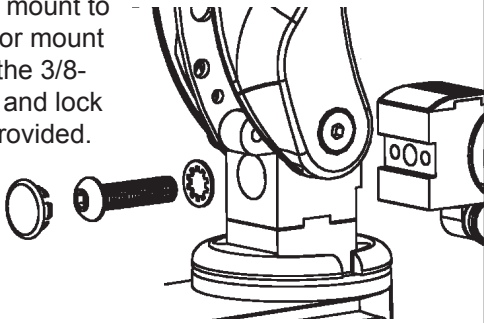
**MONITOR TILT & ROTATE**  
Gently hold sides of monitor. Tilt and rotate to desired position with ball VESA.



**ADJUST MONITOR DEPTH**  
Loosen the adjustment knob, move the Paralink forward or back, then re-tighten the knob.

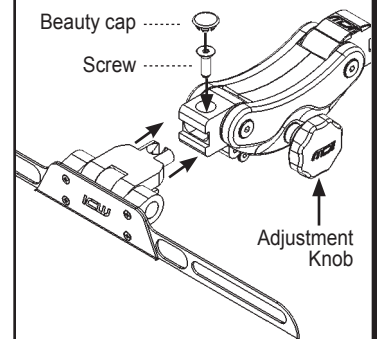
### ATTACH PARALINK KEYBOARD TO MONITOR

Attach the Paralink keyboard mount to the monitor mount by using the 3/8-16 screw and lock washer provided.



### ATTACH PARALINK KEYBOARD TRAY

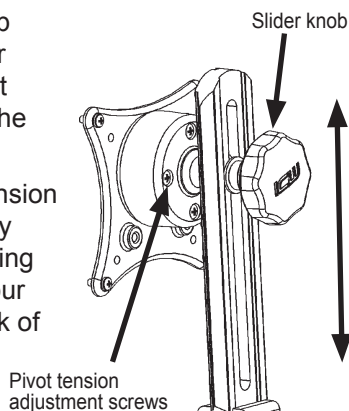
- Remove beauty cap on Paralink.
- Remove screw using 3/16" hex key.
- Slide keyboard tray into Paralink.
- Replace screw and tighten.
- Replace beauty cap.
- Loosen knob, adjust Paralink to desired position, then tighten knob.



### ADJUST BALL VESA TENSION & HEIGHT

Use the slider knob to loosen the slider to adjust the height of the monitor on the Paralink.

Adjust the pivot tension of the ball by gently and evenly tightening or loosening the four screws on the back of the ball VESA.



## If Using Ultra Keyboard

### ATTACH FLIP UP TRAY TO ULTRA DROP

Attach the tray flip-up assembly to the drop plate using the provided flat head screws and hex key.

