

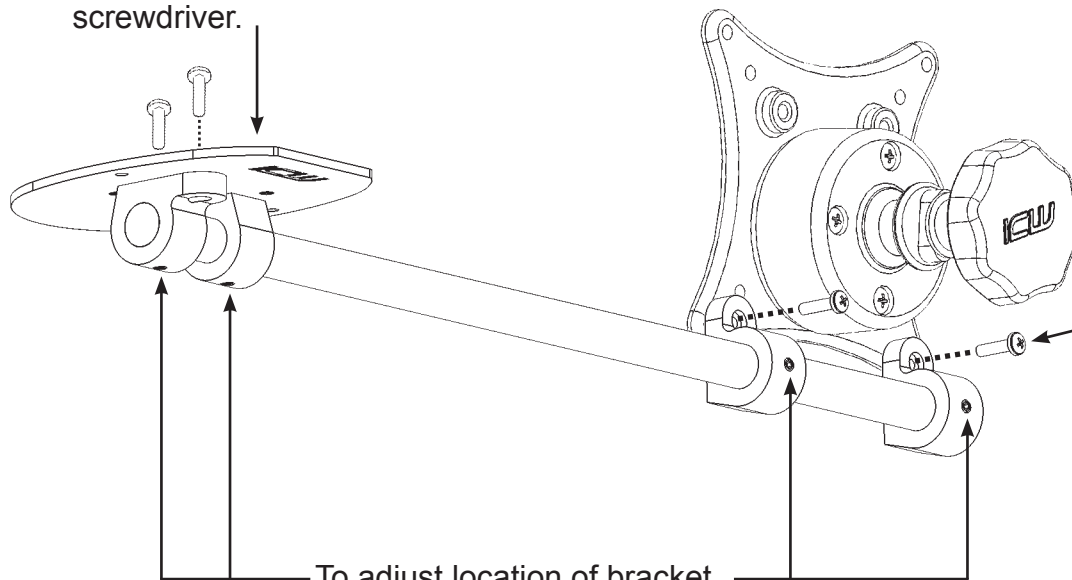
ICW ADJUSTABLE MINI-PC & SCANNER MOUNT

ICWUSA.com, Inc.

If you have any questions, please call 1-800-558-4435

Attaches behind the monitor to our VESA plate.

Attach bracket clamps to bracket plate. Insert provided screws and tighten with phillips screwdriver.



Align bracket clamps with VESA plate. Insert provided screws and tighten with phillips screwdriver.

To adjust location of bracket clamps on bracket arm, loosen set screws with 3/32" hex key, move bracket clamps and retighten set screws.