

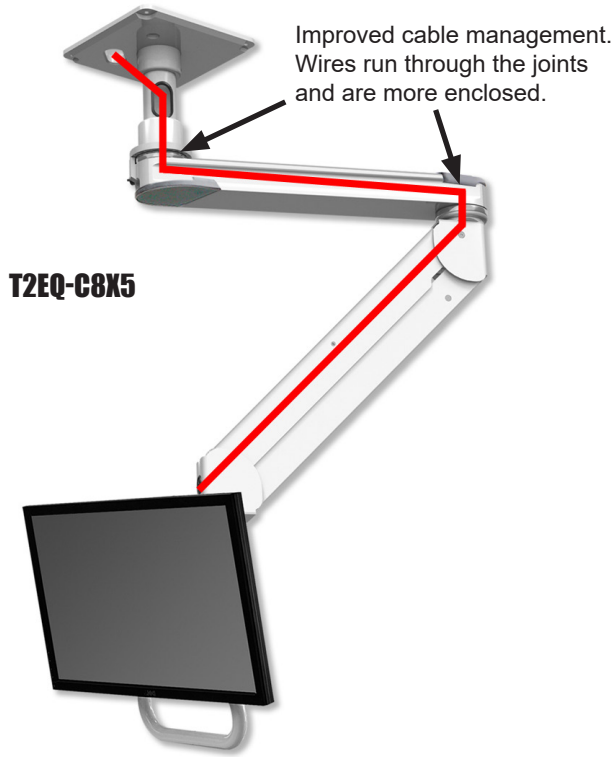


TITAN ELITE CEILING MOUNT INSTALLATION

ICWUSA.com, Inc.

If you have any questions please call Toll Free 1-800-558-4435

► **MAXIMUM LOAD CAPACITY:**
28 LBS (12.7 KG)



IMPORTANT

DO NOT use power tools to assemble or adjust the arm. Use hand tools ONLY.

DANGER!

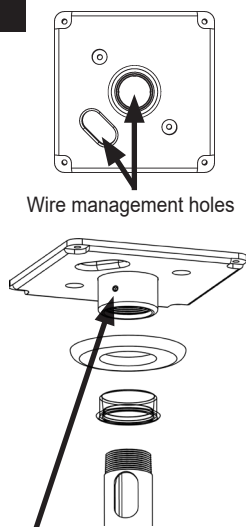
The Elite arm contains high pressure gas springs. The following cautions MUST be observed to avoid serious injury.

- **Do not** attempt to adjust the arm until all components are mounted (monitor, keyboard, etc.)
- **Arm must be completely horizontal** (extended) before adjusting the arm's tension. Failure to do so will damage the arm and void the warranty.
- **NEVER loosen or remove any of the shoulder bolts.** Doing so will cause the arm to immediately come apart with tremendous force, and could cause serious injury.
- If equipment requiring AC power is mounted to this unit, have a certified electrician inspect the installation.
- Failure to install this unit according to these instructions will void all ICW warranties. If installed incorrectly, ICW is not liable for any damage or injury caused by the unit.

MOUNT SQUARE CEILING PLATE

Using four 1/4 x 2" lag bolts provided in hardware bag, secure ceiling plate to a solid wood surface or ceiling joist. Use square pattern or inline pattern. Be sure to use all four bolts.

Run wires through center hole or wire management port. Loosen set screw BEFORE attaching pipe. Slip black and chrome rings onto pipe. Screw extension pipe into ceiling plate, then tighten set screw.

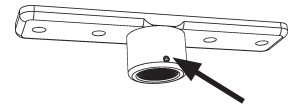


Loosen the set screw in ceiling plate before attaching extension pipe.

MOUNT INLINE CEILING PLATE

Firmly secure ceiling mount to solid ceiling joist using four #14 wood screws found in hardware bag. Be sure mount is level.

Loosen set screw BEFORE attaching pipe. Screw extension pipe into ceiling plate, then tighten set screw.

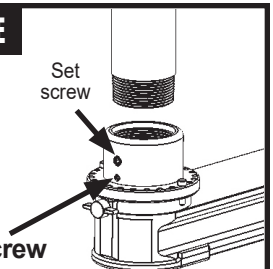


Loosen the set screw in ceiling plate before attaching extension pipe.

ATTACH ARM TO EXTENSION PIPE

Thread arm onto extension pipe and tighten. AFTER arm is firmly attached, tighten set screw with 5/32 hex key.

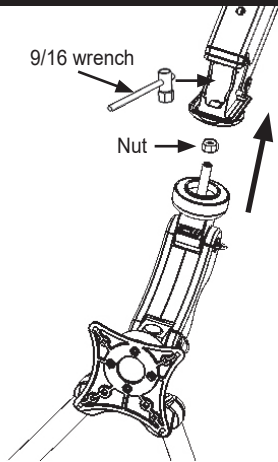
DO NOT loosen lower, smaller screw without instructions from ICW.



TITAN ELITE CEILING MOUNT INSTALLATION

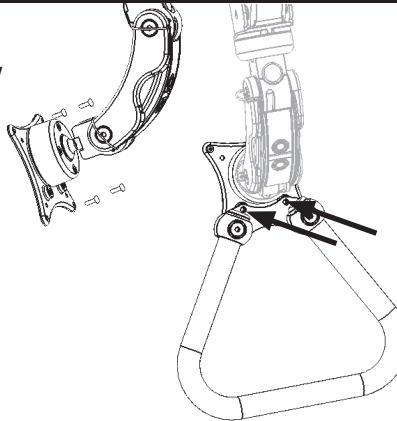
ATTACH QUICKLINK TO ARM

Remove nut from bolt on QuickLink. Attach QuickLink to arm. Thread nut onto bolt through front of arm assembly. Tighten bolt with provided 9/16" wrench.



ATTACH VESA AND HANDLE TO MONITOR

Using a Phillips screw driver, attach the VESA plate to the back of the monitor using four M4 screws in the hardware bag.

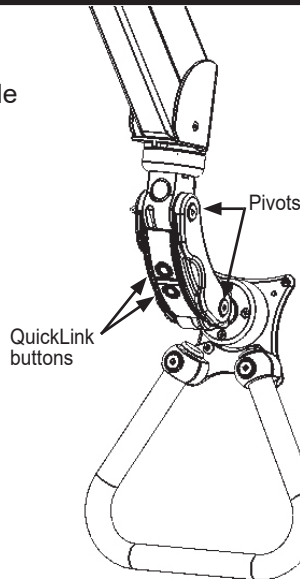


Attach handle to VESA plate.

ADJUST QUICKLINK TILT

Use the under-monitor handle to rotate, tilt and swivel the monitor to desired position.

Increase range of motion by depressing buttons on back of QuickLink. Each button provides 90° of adjustment for its corresponding pivot. Depressing both buttons at once provides 180° of adjustment.



Cord Management

REMOVE TITAN ARM CAPS

Remove plastic caps that cover the wire ports on the Titan section of the arm.



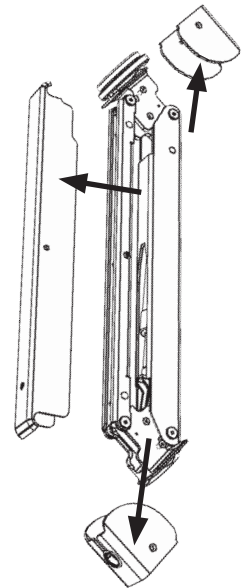
REMOVE ELITE ARM COVERS

END COVERS

Remove the end covers by unscrewing the two 3/4" long 10-24 flathead screws using a Phillips head screwdriver.

TOP COVER

Remove the long arm cover by unscrewing the two 1/4" long 6-32 flathead screws in the center of the cover using a Phillips head screwdriver. If you use a power tool, be very careful not to strip the screws. The arm needs to be in a vertical position to remove the long top cover.



Torque Chart- In/lbs 2/23/2016

Minimum torque values			Monitor Mount		
Arm	Base Mount	Arm Joint	Paralink	EV710	Ultra
Elite	120	-	120	-	120
T2Elite	120	120	120	-	120
Titan (T2)	120	120	120	-	120
Ultra	120	120	120	85	120
UL180 / UL182	120	120	-	85	-
MD Arm	140	-	120	-	120

CLEANING OF THE ICW MOUNTING DEVICE

When cleaning your ICW mounting unit please follow the points below. Proper cleaning of the mounting device will help assure proper function and extend the life of the unit.

1. Any general cleaner is acceptable except degreasers are not recommended near the bearing entrances.
2. Spray cleaner or water on a soft cloth or paper towel and then wipe down the mounts.
3. Do not spray directly at the bearing seams (located at all swivel points) as this could reduce the life of the bearings.

NOTICE: ICWUSA.COM, Inc. provides the appropriate hardware fasteners to match the majority if not all standard monitors and devices. It is the responsibility of the installer / integrator to ensure that the screws and fasteners have the adequate thread engagement. The rule of thumb is that the thread depth is greater than the diameter of the hole or 4 full turns of 360 degrees of thread engagement. It is also the responsibility of the installer / integrator to ensure that they do not damage the monitor or device by using a screw or fastener that is too long for hole and therefore damaging the unit by inserting too far.

TITAN ELITE CEILING MOUNT INSTALLATION

FEED WIRE THROUGH TITAN ARM



Pull wires one at a time through the arm. Feed the largest wire first, allowing enough slack so the arm turns freely.

Feed the first wire through the extension pipe and down through the first joint and out of the first wire port.

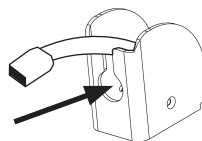
Feed the wire back up through the Titan arm and out through the second wire port, then down to the Elite section of the arm.

Repeat these steps with the second wire.

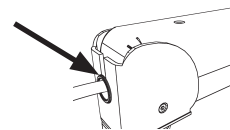


Wires run through the joints.

REPLACE ARM COVERS



Before reattaching arm covers, slip wires through end cover port.



Reattach black plastic bushing around exiting wires.

Replace covers on the Elite section of the arm. DO NOT use a power tool to replace screws.

REPLACE TITAN ARM CAPS

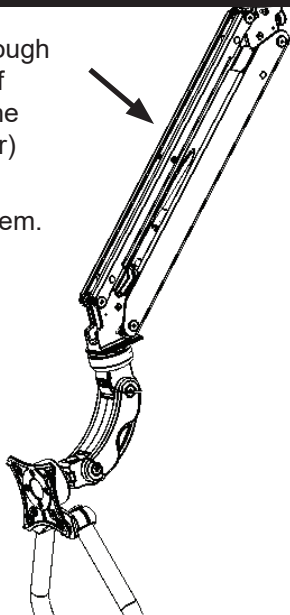
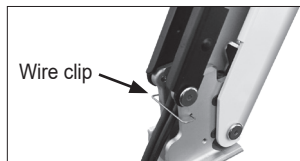
Replace the caps on both ends of the Titan arm.



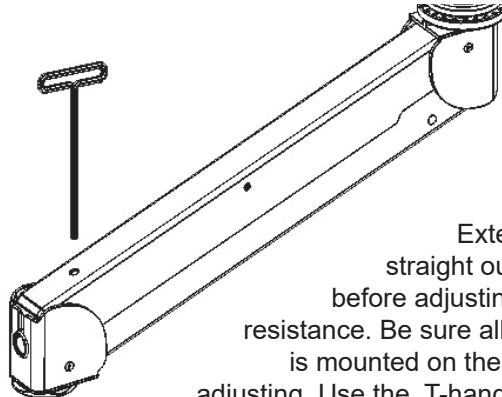
RUN WIRES THROUGH CHANNEL OF ELITE ARM

After feeding the wires through the Titan (upper) section of the arm, press them into the channels of the Elite (lower) section.

Use wire clips to secure them. Be sure wires don't bind and the arm moves freely.



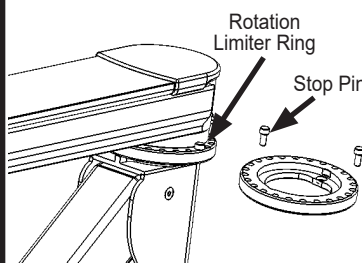
ADJUST ARM RESISTANCE



Extend the arm straight out as shown before adjusting the arm's resistance. Be sure all equipment is mounted on the arm before adjusting. Use the T-handle provided to adjust the arm's resistance.

DO NOT USE POWER TOOLS TO ADJUST.

ADJUST ROTATION STOPS



Rotation limits for the arm are set by placing stop pins in the holes where you want the arm to stop. The stop pins can be removed and set by hand.