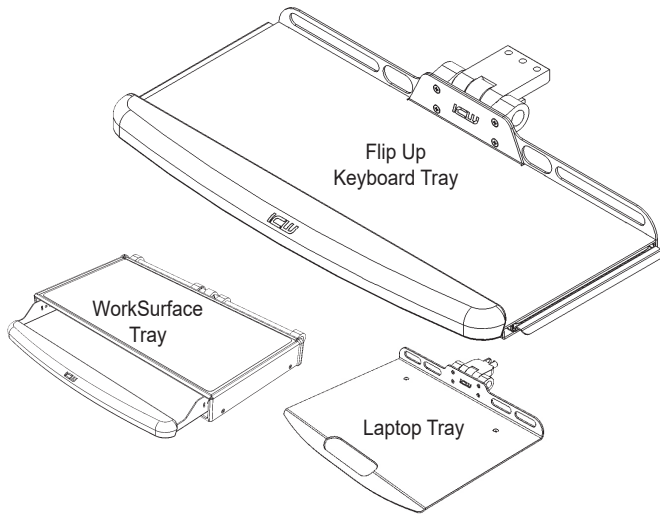


# ICW KEYBOARD TRAY INSTALLATION

ICWUSA.com, Inc.

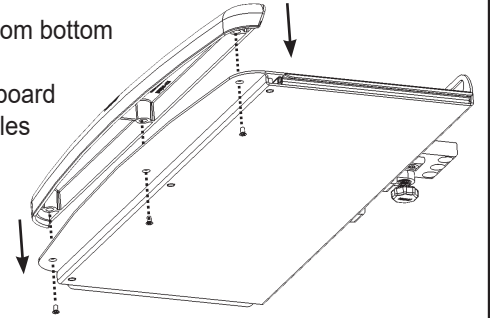
If you have any questions please call Toll Free 1-800-558-4435

For all KUB-, KPB-, KUS-, KUV- and KUW-style Keyboards



## ATTACH WRIST REST TO KEYBOARD TRAY

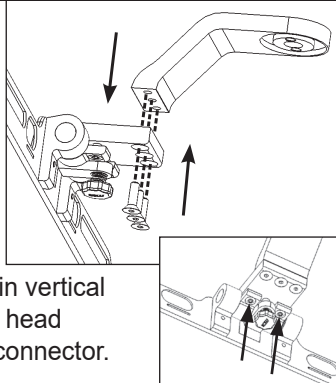
- Remove screws from bottom of wrist rest.
- Align holes in keyboard tray with screw holes in wrist rest.
- Attach wrist rest using the screws and a phillips screwdriver.



## If Attaching To Ultra Flip-Up

### ATTACH FLIP UP

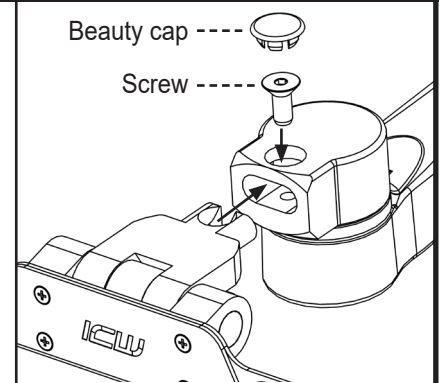
- Remove screws from drop extension using 5/32" hex key.
- Align holes in keyboard tray with screw holes in drop extension.
- Attach keyboard tray using the provided screws.
- If keyboard will not remain in vertical position, tighten two button head screws underneath flip up connector.



## If Attaching To Quick Disconnect

### ATTACH QUICK DISCONNECT

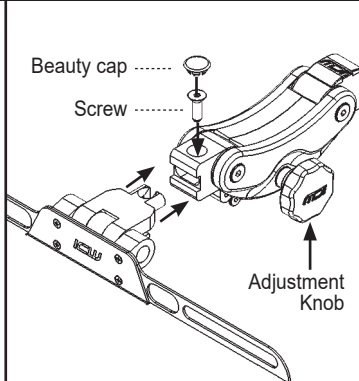
- Remove beauty cap on Quick Disconnect block.
- Remove screw using 3/16" hex key.
- Slide keyboard tray into Quick Disconnect block.
- Replace screw and tighten.
- Replace beauty cap.



## If Attaching To Paralink

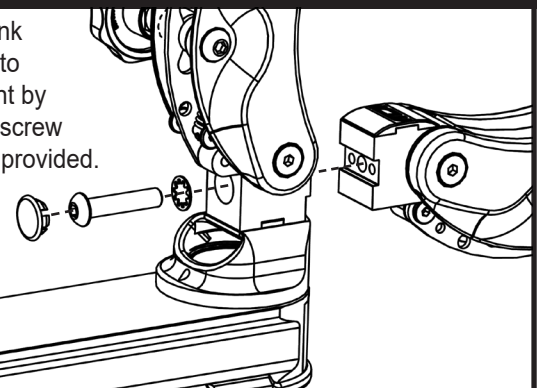
### ATTACH PARALINK KEYBOARD TRAY

- Remove beauty cap on Paralink.
- Remove screw using 3/16" hex key.
- Slide keyboard tray into Paralink.
- Replace screw and tighten.
- Replace beauty cap.
- Loosen knob, adjust Paralink to desired position, then tighten knob.



### ATTACH PARALINK KEYBOARD TO MONITOR

Attach the Paralink keyboard mount to the monitor mount by using the 3/8-16 screw and lock washer provided.



NOTICE: ICWUSA.COM, Inc. provides the appropriate hardware fasteners to match the majority if not all standard monitors and devices. It is the responsibility of the installer / integrator to ensure that the screws and fasteners have the adequate thread engagement. The rule of thumb is that the thread depth is greater than the diameter of the hole or 4 full turns of 360 degrees of thread engagement. It is also the responsibility of the installer / integrator to ensure that they do not damage the monitor or device by using a screw or fastener that is too long for hole and therefore damaging the unit by inserting too far.