

► **MAXIMUM LOAD CAPACITY:**
28 LBS (12.7 KG)

ICW recommends wood or metal stud mounting only.

Instructions for All Configurations

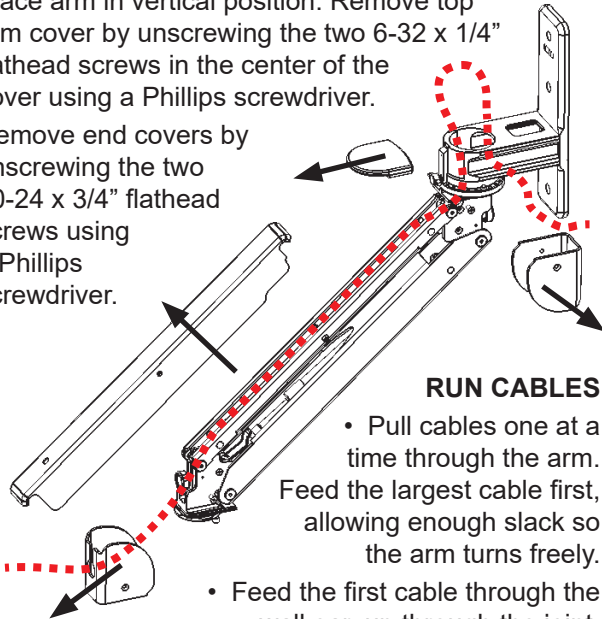
Follow instructions on the following pages for style of mount.

Ceiling Mount.....	Page 2
Quicklink.....	Page 2
Pole Mount.....	Page 3
Wall & Wall Track Mount.....	Page 3
Paralink.....	Page 4

MANAGE CABLES THROUGH ARM

REMOVE COVERS

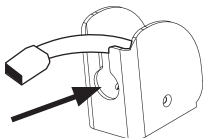
- Slide wire port cover off wall ear.
- Place arm in vertical position. Remove top arm cover by unscrewing the two 6-32 x 1/4" flathead screws in the center of the cover using a Phillips screwdriver.
- Remove end covers by unscrewing the two 10-24 x 3/4" flathead screws using a Phillips screwdriver.



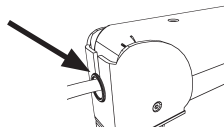
RUN CABLES

- Pull cables one at a time through the arm. Feed the largest cable first, allowing enough slack so the arm turns freely.
- Feed the first cable through the wall ear, up through the joint, and out of the wire port.
- Feed the cable back down through the wire port and press into the channel of the arm.
- Repeat these steps with other cables.
- Replace covers.

NOTE: CABLES CAN BE DAMAGED IF JOINT IS ROTATED MORE THAN 360°.



Before reattaching arm covers, slip cables through end cover ports.



Reattach black plastic bushing around exiting cables.

DANGER!

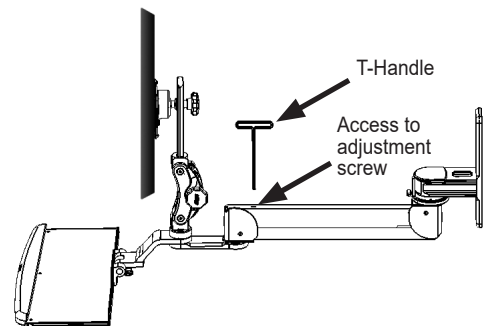
The Elite arm contains high pressure gas springs. The following cautions **MUST** be observed to avoid serious injury.

- **Do not** attempt to adjust the Elite arm until all components are mounted (monitor, keyboard, etc.)
- **Arm must be completely horizontal** (extended) before adjusting the arm's tension. Failure to do so will damage the arm and void the warranty.
- **NEVER loosen or remove any of the shoulder bolts.** Doing so will cause the arm to immediately come apart with tremendous force, and could cause serious injury.
- If equipment requiring AC power is mounted to this unit, have a certified electrician inspect the installation.
- Failure to install this unit according to these instructions will void all ICW warranties. If installed incorrectly, ICW is not liable for any damage or injury caused by the unit.

IMPORTANT

DO NOT use power tools to assemble or adjust the arm. Use hand tools **ONLY**.

ADJUST ARM LIFTING CAPACITY--ALL MODELS



Extend the arm straight out as shown before adjusting the arm's lifting capacity. Be sure all equipment is mounted on the arm before adjusting. Use the T-handle provided. **DO NOT USE POWER TOOLS TO ADJUST.**

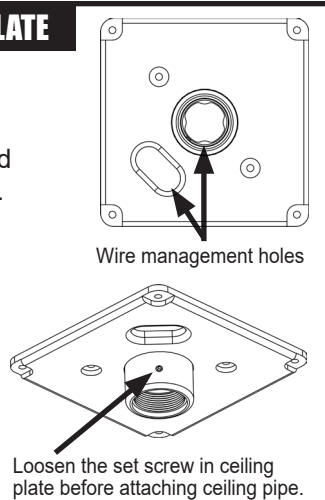
ELITE 5120 INSTALLATION

If Mounting to a Ceiling

MOUNT SQUARE CEILING PLATE

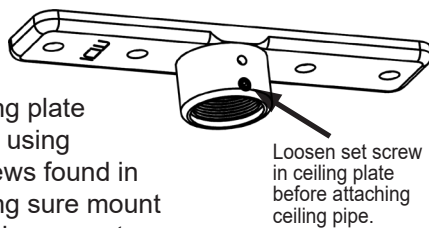
Using four 1/4 x 2" lag bolts provided in hardware bag, secure ceiling plate to a solid wood surface or ceiling joist. Use square pattern or inline pattern, always being sure to use all four bolts.

Run wires through center hole or wire management port. Be sure to loosen set screw **BEFORE** attaching ceiling pipe.



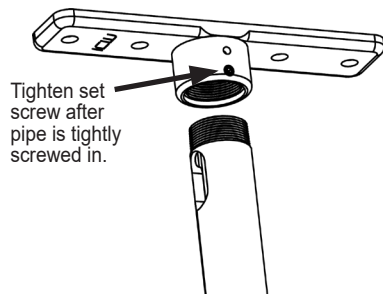
MOUNT INLINE CEILING PLATE

Firmly secure ceiling plate to solid ceiling joist using four #14 wood screws found in hardware bag, being sure mount is level. Be sure to loosen set screw **BEFORE** attaching pipe.



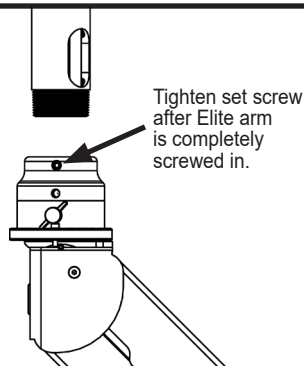
ATTACH PIPE TO CEILING PLATE - INLINE & SQUARE

Screw extension pipe firmly into ceiling plate, then tighten set screw.



ATTACH ARM TO PIPE

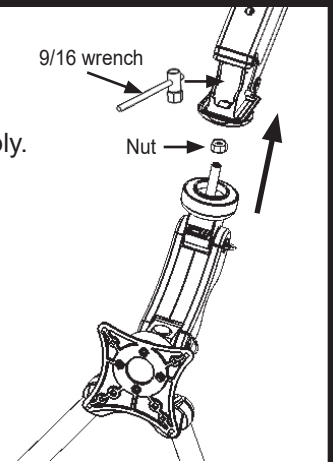
Screw Elite arm firmly onto extension pipe, then tighten set screw.



If Using a Quicklink

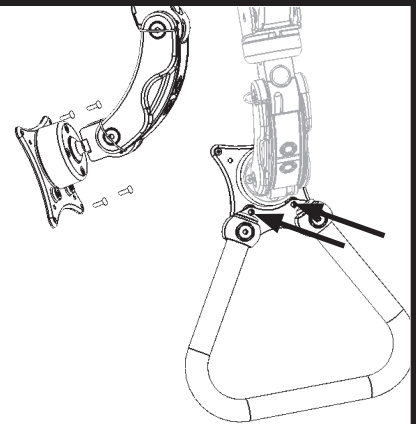
ATTACH PARALINK TO ARM

Remove nut from bolt on Quicklink. Attach Quicklink to arm. Thread nut onto bolt through front of arm assembly. Tighten bolt with provided 9/16" wrench.



ATTACH VESA AND HANDLE TO MONITOR

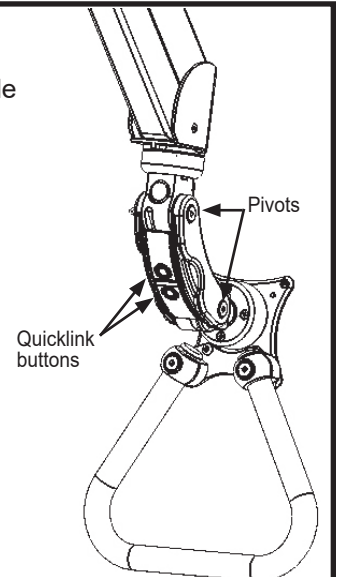
Using a Phillips screw driver, attach the VESA plate to the back of the LCD monitor using four M4 screws in the hardware bag.



ADJUST QUICKLINK TILT

Use the under-monitor handle to rotate, tilt and swivel the monitor to desired position.

Increase range of motion by depressing buttons on back of Quicklink. Each button provides 90° of adjustment for its corresponding pivot. Depressing both buttons at once provides 180° of adjustment.

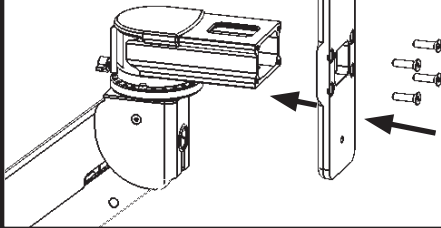


ELITE 5120 INSTALLATION

If Mounting to a Wall

ATTACH WALL PLATE TO WALL EAR

Attach wall plate to wall ear using provided 5/32" hex key and four 1/4-20 screws.

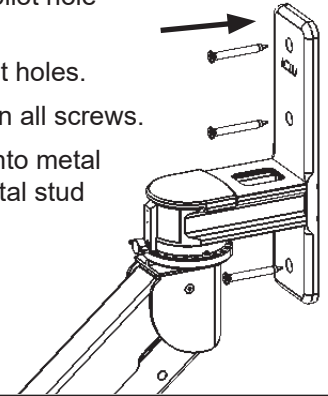


ATTACH ARM TO WALL

- Locate stud and mark top hole. Drill 11/64" pilot hole and insert #14 screw and tighten slightly.
- Using a level, mark lower holes and drill pilot holes.
- Insert #14 screws and, with unit level, tighten all screws.

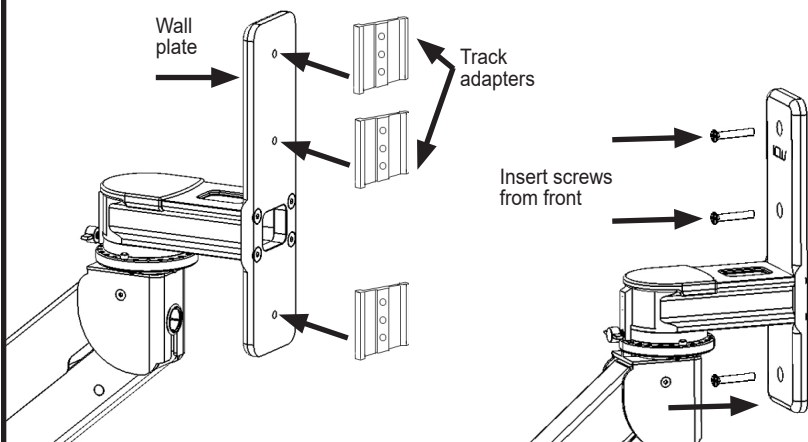
ICW supplies #14 wood screws. If installing onto metal studs, you will need to replace with proper metal stud fasteners.

To tighten lower screw, additional tools may be helpful (not provided). Provided screws will accept a 90° bent Phillips or square bit nut driver on a short socket wrench.



Wall Track Mount

ATTACH TRACK ADAPTERS



Attach wall track to wall using installation instructions provided with track.

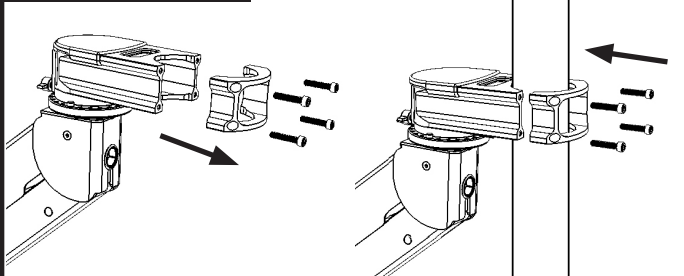
Attach wall plate to wall ear as shown above.

Attach track adapters to back of wall plate by threading socket head screws from front of plate into track adapters. Loosely screw together with 5/32" hex key.

Attach wall plate to track by sliding track adapters into track from either top or bottom. Position wall plate to desired location on track. Firmly tighten screws with 5/32 hex key.

If Mounting to a Pole

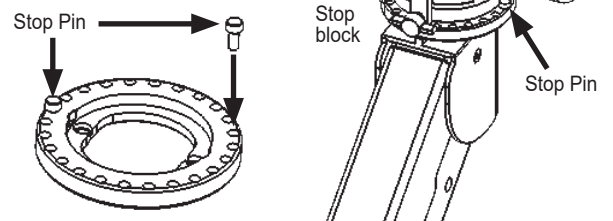
ATTACH TO POLE



Separate the two sections of the pole mount using the provided 5/32 hex key. Place around the pole and reassemble. Firmly tighten screws.

ADJUST ROTATION LIMITS - WALL MOUNT

The rotation limits for the arm are set by placing the stop pins in the holes corresponding to where you want the arm to stop. The stop pin then bumps into the stop block on the front of the wall mount ear, stopping the arm. The stop pins can be removed and set by hand.



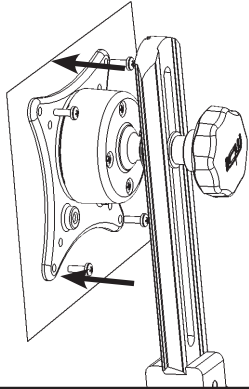
ELITE 5120 INSTALLATION

If you have any questions please call Toll Free 1-800-558-4435

If Using Paralink

ATTACH VESA TO MONITOR

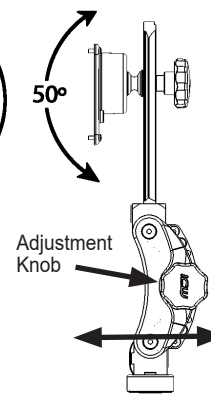
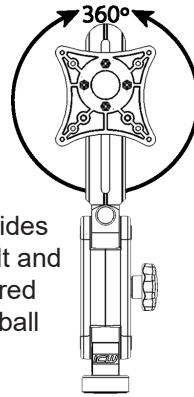
Attach VESA to monitor using four M4 screws in the hardware bag.



MONITOR TILT, ROTATION & ADJUST MONITOR DEPTH

MONITOR TILT & ROTATE

Gently hold sides of monitor. Tilt and rotate to desired position with ball VESA.

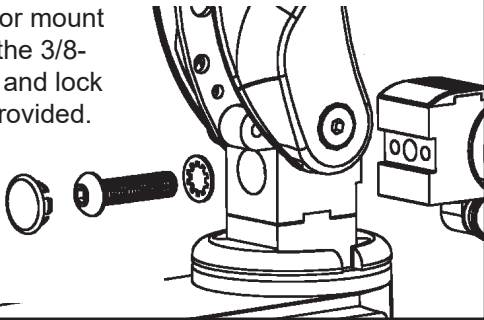


ADJUST MONITOR DEPTH

Loosen the adjustment knob, move the Paralink forward or back, then re-tighten the knob.

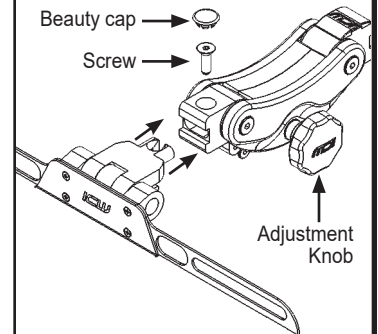
ATTACH PARALINK KEYBOARD TO MONITOR

Attach the Paralink keyboard mount to the monitor mount by using the 3/8-16 screw and lock washer provided.



ATTACH PARALINK KEYBOARD TRAY

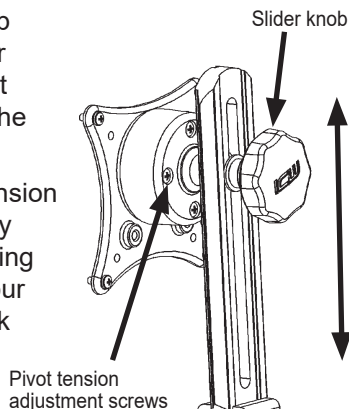
- Remove beauty cap on Paralink.
- Remove screw using 3/16" hex key.
- Slide keyboard tray into Paralink.
- Replace screw and tighten.
- Replace beauty cap.
- Loosen knob, adjust Paralink to desired position, then tighten knob.



ADJUST BALL VESA TENSION & HEIGHT

Use the slider knob to loosen the slider to adjust the height of the monitor on the Paralink.

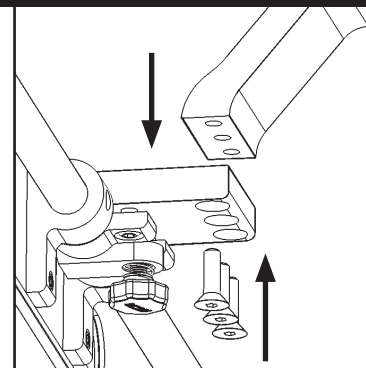
Adjust the pivot tension of the ball by gently and evenly tightening or loosening the four screws on the back of the ball VESA.



If Using Ultra Keyboard

ATTACH FLIP UP TRAY TO ULTRA DROP

Attach the tray flip-up assembly to the drop plate using the provided flat head screws and hex key.



NOTICE: ICWUSA.COM, Inc. provides the appropriate hardware fasteners to match the majority if not all standard monitors and devices. It is the responsibility of the installer / integrator to ensure that the screws and fasteners have the adequate thread engagement. The rule of thumb is that the thread depth is greater than the diameter of the hole or 4 full turns of 360 degrees of thread engagement. It is also the responsibility of the installer / integrator to ensure that they do not damage the monitor or device by using a screw or fastener that is too long for hole and therefore damaging the unit by inserting too far.

CLEANING OF THE ICW MOUNTING DEVICE

- When cleaning your ICW mounting unit please follow the points below. Proper cleaning of the mounting device will help assure proper function and extend the life of the unit.
1. Any general cleaner is acceptable except degreasers are not recommended near the bearing entrances.
 2. Spray cleaner or water on a soft cloth or paper towel and then wipe down the mounts.
 3. Do not spray directly at the bearing seams (located at all swivel points) as this could reduce the life of the bearings.