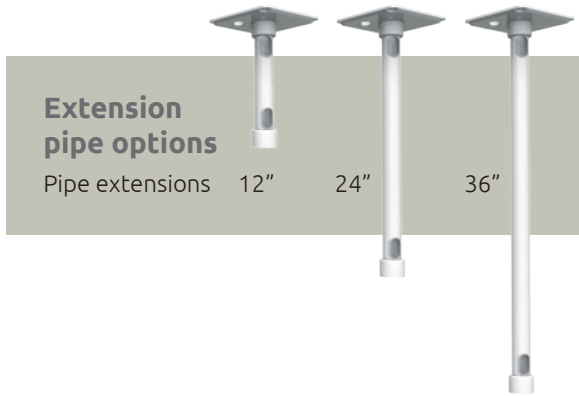


UL500i-C8X12

Offering a wide range of tilt and pivot options



**Extension pipe options**

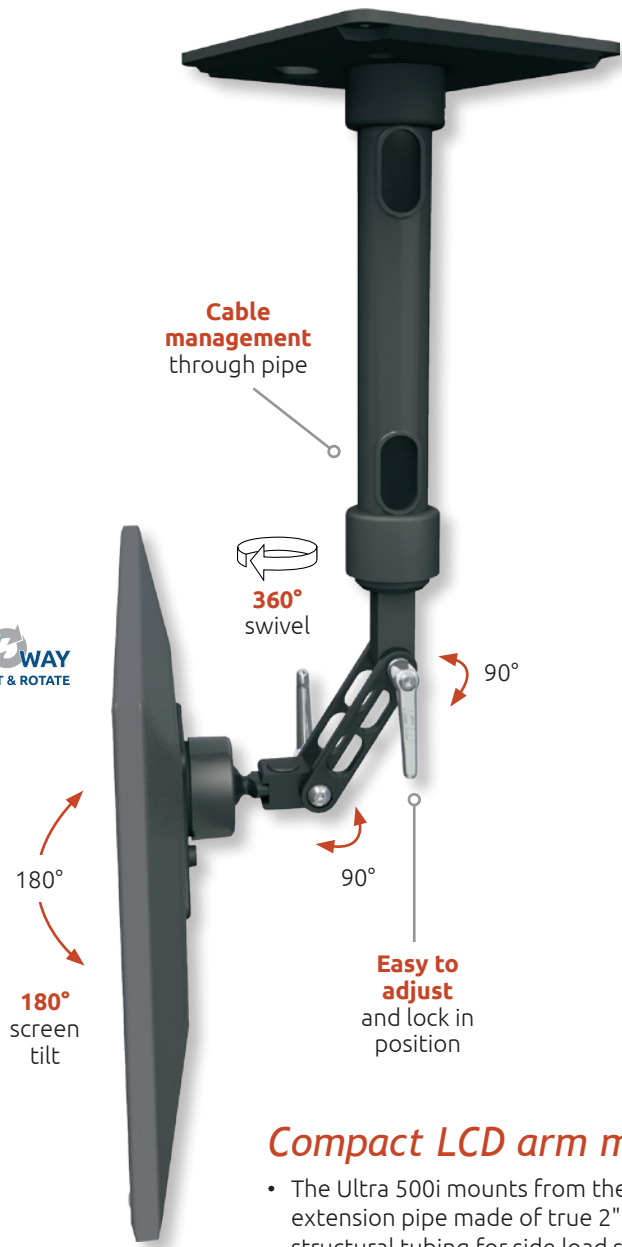
Pipe extensions 12" 24" 36"

**Mounting plate**

8" x 8" plate mounts arm securely to the ceiling.



**6 WAY**  
TILT & ROTATE



Cable management through pipe

360° swivel

90°

180°

180° screen tilt

90°

Easy to adjust and lock in position

**Compact LCD arm mount**

- The Ultra 500i mounts from the ceiling on an extension pipe made of true 2" outer diameter structural tubing for side load support.
- This mount keeps your LCD close to the mounting surface while providing a wide range of tilt and pivot.
- Two handles next to the LCD tighten it into position once tilt adjustment is made.
  - Choose the pipe length that best meets your needs: 12", 24", or 36".

Monitor not included

Screen Swivel  
360°

Screen Tilt  
180°

- Load capacity:** 18 lbs (8.16 kg)
- Screen swivel:** 360° at bottom of pipe
- Screen tilt:** 180° forward or down
- VESA interface:** 75 mm and 100 mm

*Need a custom solution? Contact your ICW Rep for more information.*

**Select a color**

Specify one of our durable powder coating finishes with your order:

Gloss White (MW), Writable Black (WB), A-dec Tan (T), Pelton Putty (P), and Quartz Gray (QG)



