

VT21 Low Profile Workstation

Industry-Leading True Sit-Stand Workstation 21" (53.3 cm) of vertical adjustability



"The doctor noticed the stowed unit didn't stick out much farther than the hand sanitizer."

Use a 5/32 hex key in the adjuster hole of the lift assist to set for various weights.

Locking lift assist easily raises and lowers unit.

Available in **FOUR** Models:

- VT21
- VTLP Low Profile
- VTTM Dual Arm
- VT21HDMR Dual Monitor

Stows in as little as 4" (10 cm) from the wall

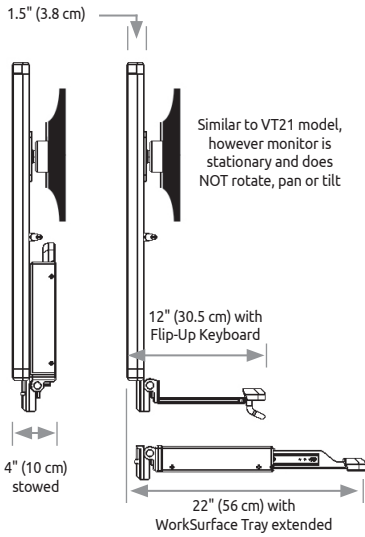
- **COMPACT.** The Low Profile model stows just 4" (10 cm) from the mounting surface. The stowed depth of the VT21 is 5.5" (14 cm), and the stowed depth of the Dual Arm model is 7.5" (19 cm). The Dual Monitor model stows at 7" (17.8 cm).
- **TRUE SIT-STAND.** All models provide an industry-leading 21" of vertical adjustment for comfort both standing and sitting.
- **EASY WEIGHT ADJUSTMENT.** Lift assist is adjustable for various monitor and keyboard weights using a hex key in the adjuster hole in the lower left end cap. The handy adjustment indicator on the left side shows the degree of lift assist being used. The VT21HDMR supports up to 35 lbs.
- **SMOOTH HEIGHT ADJUSTMENT.** Locking Lift Assist easily raises and lowers unit. Locks securely at desired height.
- **ADJUSTABLE MONITOR** with two height settings.
- **ERGONOMIC.** The WorkSurface Tray and/or Flip-Up Keyboard Tray can both be adjusted to positive, neutral, and negative tilt for greatest ergonomic comfort.
- **HYGIENIC.** Durable, easy-to-clean finish withstands harsh chemicals. Built with smooth aircraft-grade aluminum that doesn't allow microorganisms to hide.
- **SOLID** work surface with the KUY Keyboard Tray.

Specifications for all models

Adjustable Load Capacity	VT21, VTLP, VTTM VT21HDMR	10-25 lbs (4.5-11.3 kg) 20-35 lbs (9.1-15.9 kg)
Dimensions	14" wide x 30" high (35.6 cm x 76 cm)	
Vertical Adjust Range	All Models	21" (53.3 cm)
Depth with WorkSurface Tray Extended	VT21 VTLP Low Profile VTTM Dual Arm VT21HDMR	22" (56 cm) 22" (56 cm) 36" (91.4 cm) 22" (56 cm)
Depth with Flip-Up Keyboard Tray	VT21 VTLP Low Profile VTTM Dual Arm VT21HDMR	12" (30.5 cm) 12" (30.5 cm) 26" (66 cm) 12" (30.5 cm)
Stowed Depth	VT21 VTLP Low Profile VTTM Dual Arm VT21HDMR	5.5" (14 cm) 4" (10 cm) 7.5" (19 cm) 7" (17.8 cm)
Horizontal Rotation of Mount	VT21 VTLP Low Profile VTTM Dual Arm VT21HDMR	None None 180° at wall None
Monitor Rotation	VT21 VTLP Low Profile VTTM Dual Arm VT21HDMR	360° None 360° 360°
Monitor Tilt	VT21 VTLP Low Profile VTTM Dual Arm VT21HDMR	25° None 25° 50°
VESA Interface	75 mm and 100 mm	

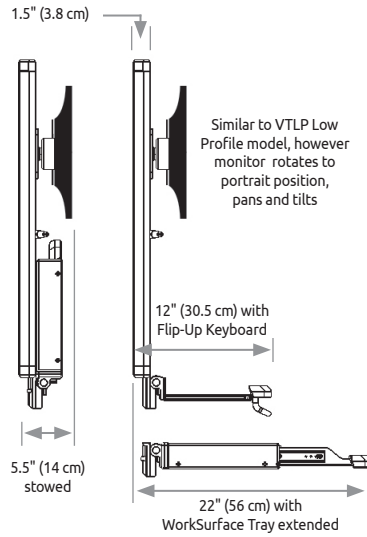
Monitor, keyboard and mouse not included.

Range of Motion and Dimension Drawings



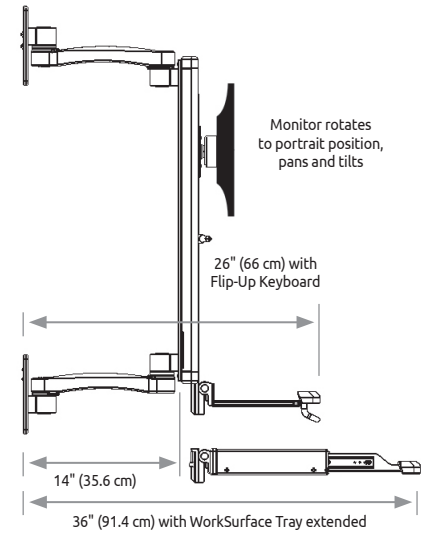
VTLP Low Profile

- Depth with WorkSurface Tray Extended: **22" (56 cm)**
- Depth with Flip-Up Keyboard Tray: **12" (30.5 cm)**
- Stowed Depth: **4" (10 cm)**
- Mounts flat against the wall
- Monitor does not rotate or tilt



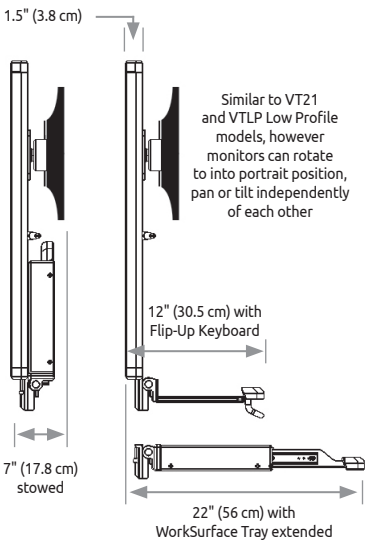
VT21

- Depth with WorkSurface Tray Extended: **22" (56 cm)**
- Depth with Flip-Up Keyboard Tray: **12" (30.5 cm)**
- Stowed Depth: **5.5" (14 cm)**
- Mounts flat against the wall
- Monitor rotates to portrait position, pans and tilts



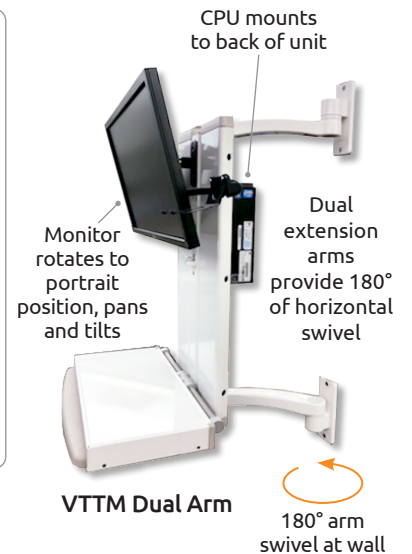
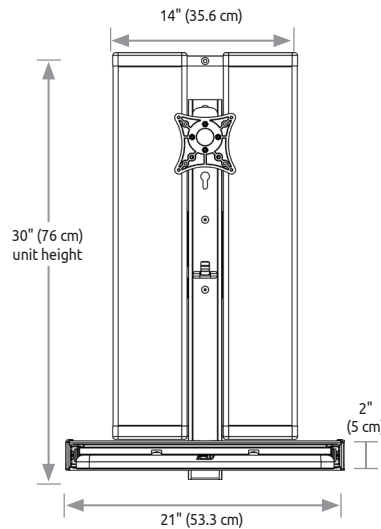
VTTM Dual Arm

- Depth with WorkSurface Tray Extended: **36" (91.4 cm)**
- Depth with Flip-Up Keyboard Tray: **26" (66 cm)**
- Stowed Depth: **7.5" (19 cm)**
- Mounts with two extension arms
- Horizontal Swivel of Arms at Mount: **180°**
- Monitor rotates to portrait position, pans and tilts



VT21HDMR

- Depth with WorkSurface Tray Extended: **22" (56 cm)**
- Depth with Flip-Up Keyboard Tray: **12" (30.5 cm)**
- Stowed depth: **7" (17.8 cm)**
- Mounts flat against the wall
- Monitor rotates to portrait position, pans and tilts
- Maximum Monitor Size: **24"**



Available in these 5 standard colors and 9 custom colors.



ICWUSA.com, Inc.
1487 Kingsley Drive
Medford, OR 97504
800-558-4435

ICWUSA icwusa.com



SMART MOUNTS · ERGONOMIC COMFORT · SOLID SUPPORT · MADE IN THE USA