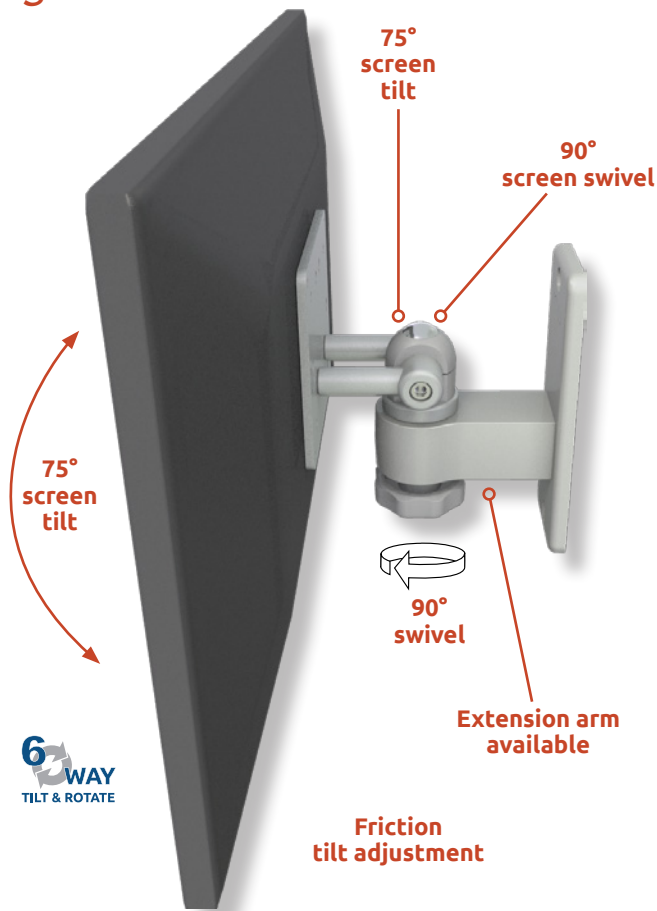


EV65-W2
FM25

Compact tilt and pivot mount: Ergovision 65



Compact, durable monitor mount

The Ergovision 65 can be mounted either to the wall or from the ceiling. An 11" Ultra arm can be added to extend the reach of your monitor.

Arm extension not recommended when mounting to ceiling.

Specifications

Load capacity: 30 lbs (13.6 kg)
Distance from wall: 5.75" (14.6 cm)
Screen swivel: 90°
Screen tilt: 75°
VESA interface: 75 mm and 100 mm
Monitor not included.

Lockable fixed wall mount: FM25



Easy install for kiosks and trade show exhibits

The FM 25 uses a keyhole pattern wall bracket that facilitates easy monitor installation and removal. This wall mount is ideal for use in kiosks or trade show exhibits where monitors need to be quickly installed, locked into place and easily removed without tools.

Specifications

Load Capacity: 45 lbs (20.4 kg)
Profile: 1.125" (2.9 cm) or 2.25" (5.7 cm)
VESA Interface: 75 mm or 100 mm
Monitor not included.

Select a color

Specify one of our durable powder coating finishes with your order:

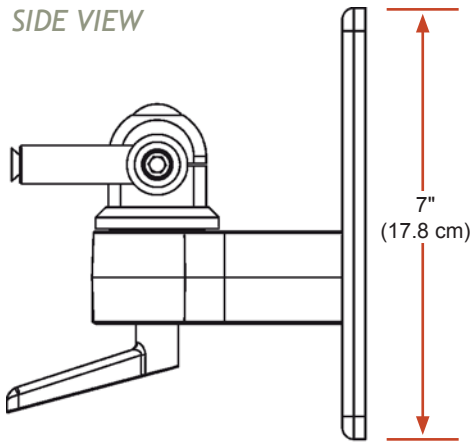
Gloss White (MW), Writable Black (WB), A-dec Tan (T), Pelton Putty (P), and Quartz Gray (QG)



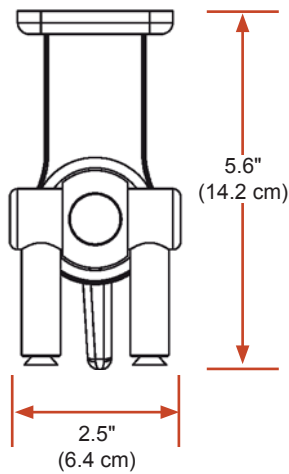
Dimension Drawings

EV65-W2

SIDE VIEW



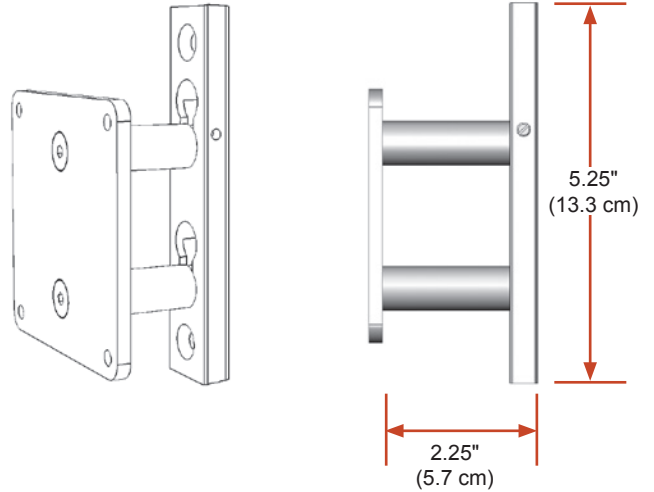
TOP VIEW



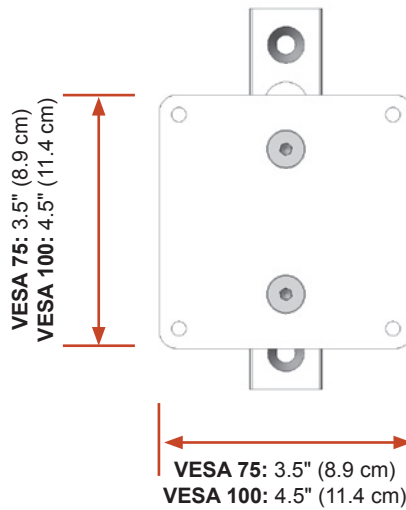
FM25

Model	Distance from Wall	VESA Plate Size	
FM25	2.25"	VESA 75	3.5" x 3.5"
FM26	1.125"	VESA 75	3.5" x 3.5"
FM30	2.25"	VESA 100	4.5" x 4.5"
FM31	1.125"	VESA 100	4.5" x 4.5"

SIDE VIEW



FRONT VIEW



BACK VIEW

