

ICW WALL TRACK INSTALLATION

ICWUSA.com, Inc.

If you have any questions please call Toll Free 1-800-558-4435

Mount Track to Wall

When mounting to studs, ICW recommends using only wood or metal studs. This is the basic method to mount the arm on a stud. Check building code regulations in your area for additional requirements.

MD TRACK – ALSO USED FOR TITAN ARM

1. FOR WOOD STUD

2. Center mounting option

3. Locate the wall stud and mark the top center hole of the wall track. Drill a 11/64 pilot hole, insert a #14 screw and tighten slightly. Using a level, mark the lower holes in the center of the track, drill pilot holes and then insert the #14 screws. Use all screws.

4. Right or left mounting option

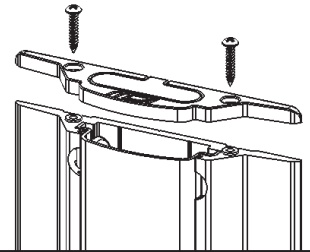
- Locate the wall stud. Align either right or left side of track with stud and mark one hole in the upper corner for track placement. Drill 11/64" pilot hole. Insert #14 screw and tighten slightly.
- Using a level, mark the remaining holes on the same side, drill pilot holes into stud. Insert #14 screws and, with the unit level, tighten screws.
- Insert provided Snap Toggles into outer corner holes on opposite side.

5. FOR METAL STUD

6. #14 **wood** screws are supplied with unit. If installing into **metal studs** you will need to replace these with proper metal stud fasteners or provided snap toggles. All hardware used to secure track mount must have a proper countersunk head.

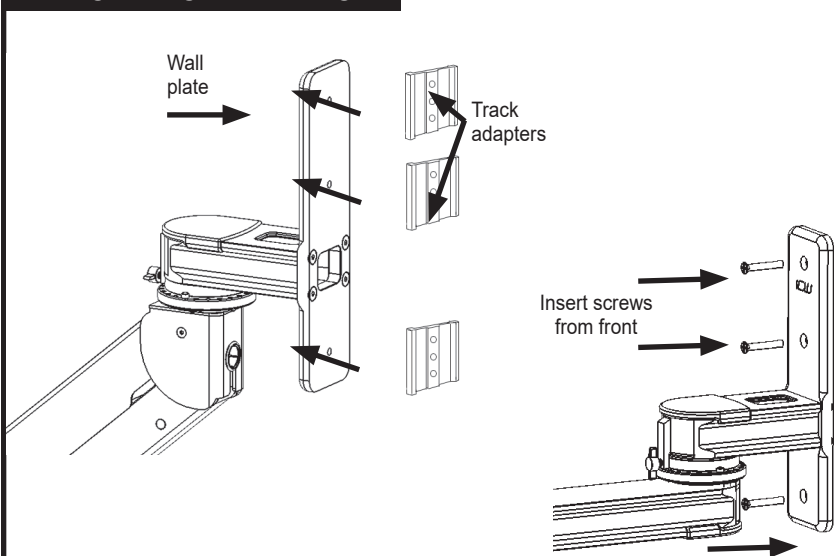
ATTACH BEAUTY CAP

1. After track installation is complete, attach the beauty cap using a Phillips screwdriver.



Wall Track Mount

ATTACH TRACK ADAPTERS



Attach wall track to wall using installation instructions provided with track.

Attach track adapters to back of wall plate by threading socket head screws from front of plate into track adapters. Loosely screw together with 5/32" hex key.

Attach wall plate to track by sliding track adapters into track from either top or bottom. Position wall plate to desired location on track. Firmly tighten screws with 5/32 hex key.

NOTICE: ICWUSA.COM, Inc. provides the appropriate hardware fasteners to match the majority if not all standard monitors and devices. It is the responsibility of the installer / integrator to ensure that the screws and fasteners have the adequate thread engagement. The rule of thumb is that the thread depth is greater than the diameter of the hole or 4 full turns of 360 degrees of thread engagement. It is also the responsibility of the installer / integrator to ensure that they do not damage the monitor or device by using a screw or fastener that is too long for hole and therefore damaging the unit by inserting too far.