

# Ultra 210 LCD/Keyboard Mount



Model Number as shown:  
UL210-W3-KUF-QG

**ICW**

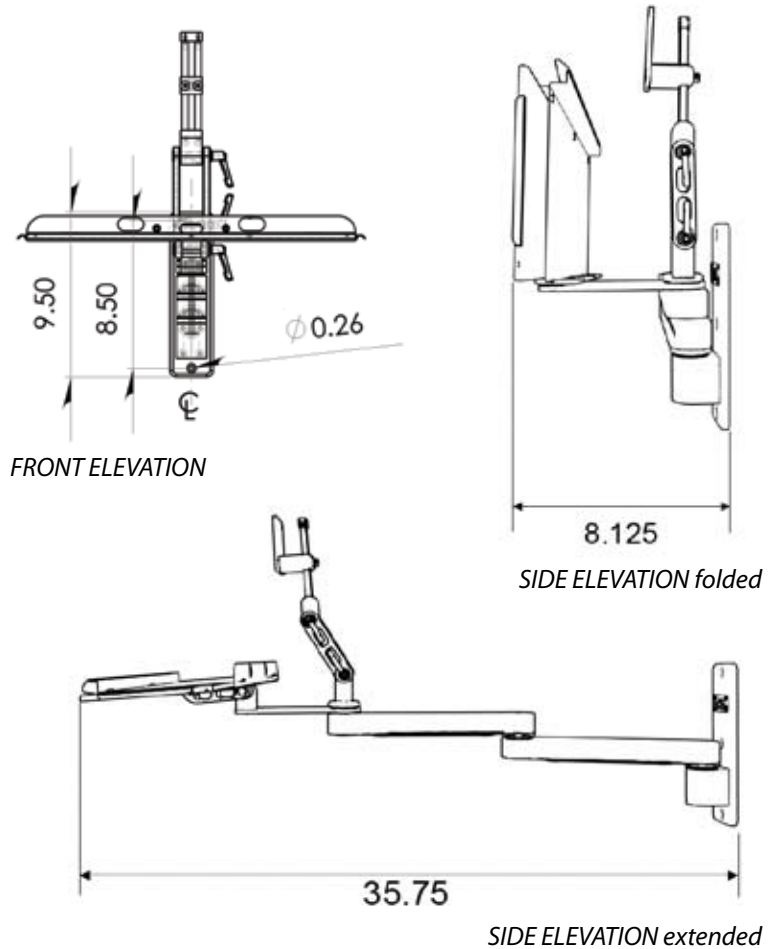
# Ultra 210 LCD/Keyboard Mount

## DESCRIPTION:

The Ultra 210 LCD Arm Series allows full articulation of the flat panel monitor and keyboard. The UL210 folds up right over the mount and extends 20" from the center of the mount to the monitor. The monitor can be adjusted to 26" from wall if keyboard is not used. The UL210 has two articulating joints together offering 90° of tilt adjustment with safety stops, plus two locking handle cranks to set positions. The monitor can be adjusted vertically on two stainless steel rails with 4" of vertical adjustment. This LCD arm can be mounted to a desk, wall, pole, or a sliding track. The UL210 is widely used in medical and dental applications.

## SPECIFICATIONS:

Finish:	Gray or black
Weight capacity:	18 lbs (8.16 kg)
Vert. adjustment range:	6"
Maximum reach:	24" (+12" w/keyboard)
Arm swivel at mount:	180°
Screen swivel:	360°
Screen tilt:	180°
VESA interface:	75mm and 100mm



Other available configurations

