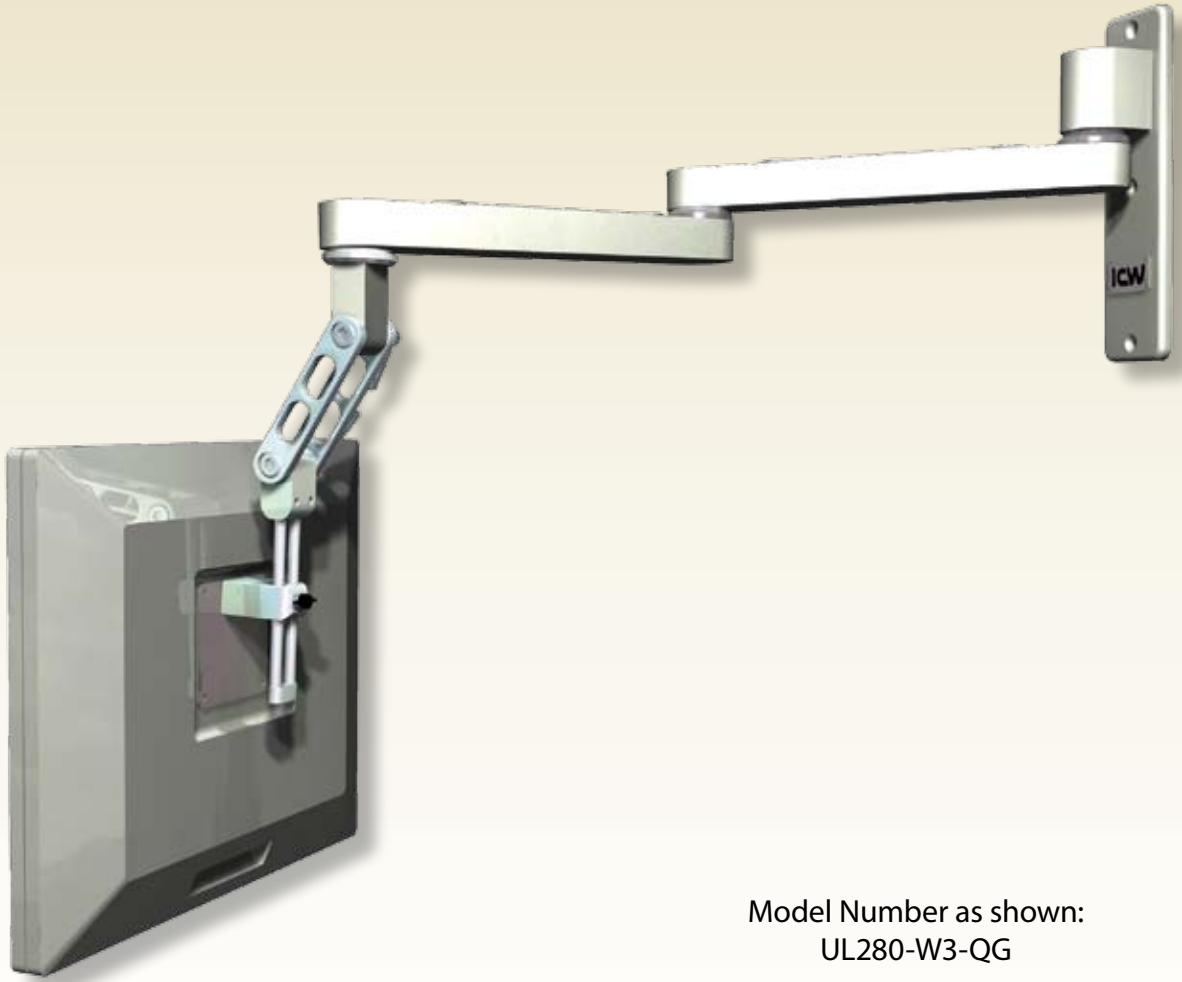


# UL280 LCD Mount



Model Number as shown:  
UL280-W3-QG

**ICW**

# UL280 LCD Mount

## DESCRIPTION:

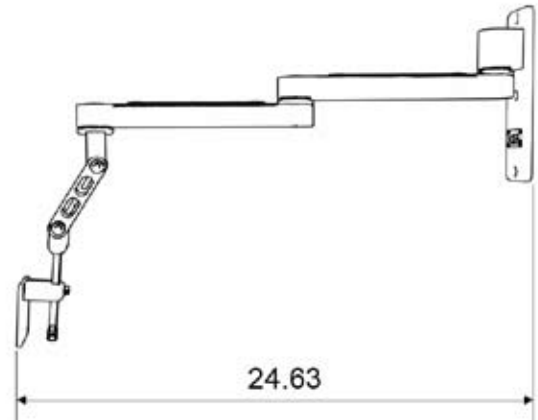
The Ultra 280 LCD Arm Series allows the full articulation of a wall or pole-mounted flat panel monitor. The UL280 is able to fold up right under the mount or extend 20" from the center of the mount to the monitor. The monitor can be adjusted horizontally to 26 inches from the wall and 4 inches vertically on two vertical stainless steel rails. The UL280 has two articulating joints which together offer 90 degrees of tilt adjustment with safety stops, plus two locking handle cranks to set positions. The UL280 is widely used in medical and dental applications.

## FEATURES:

- Collapsible arms
- 180° of tilt
- Friction tilt adjustment

## SPECIFICATIONS:

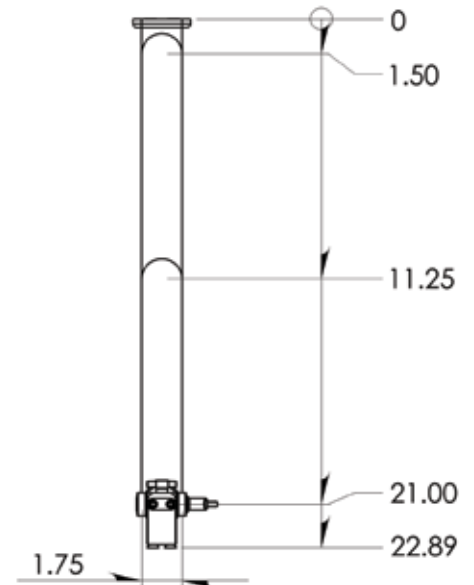
Finish:	Gray or black
Weight capacity:	18 lbs (8.16 kg)
Vert. adjustment range:	4"
Maximum reach:	26"
Minimum profile:	3"
Arm swivel at mount:	180°
Screen swivel:	360°
Screen tilt:	180°
VESA Interface:	75mm and 100mm



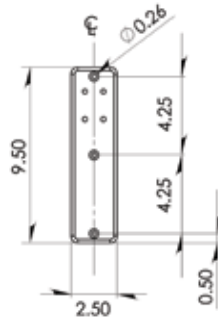
*SIDE ELEVATION extended*



*SIDE ELEVATION folded*



*BOTTOM VIEW*



*WALL PLATE*

