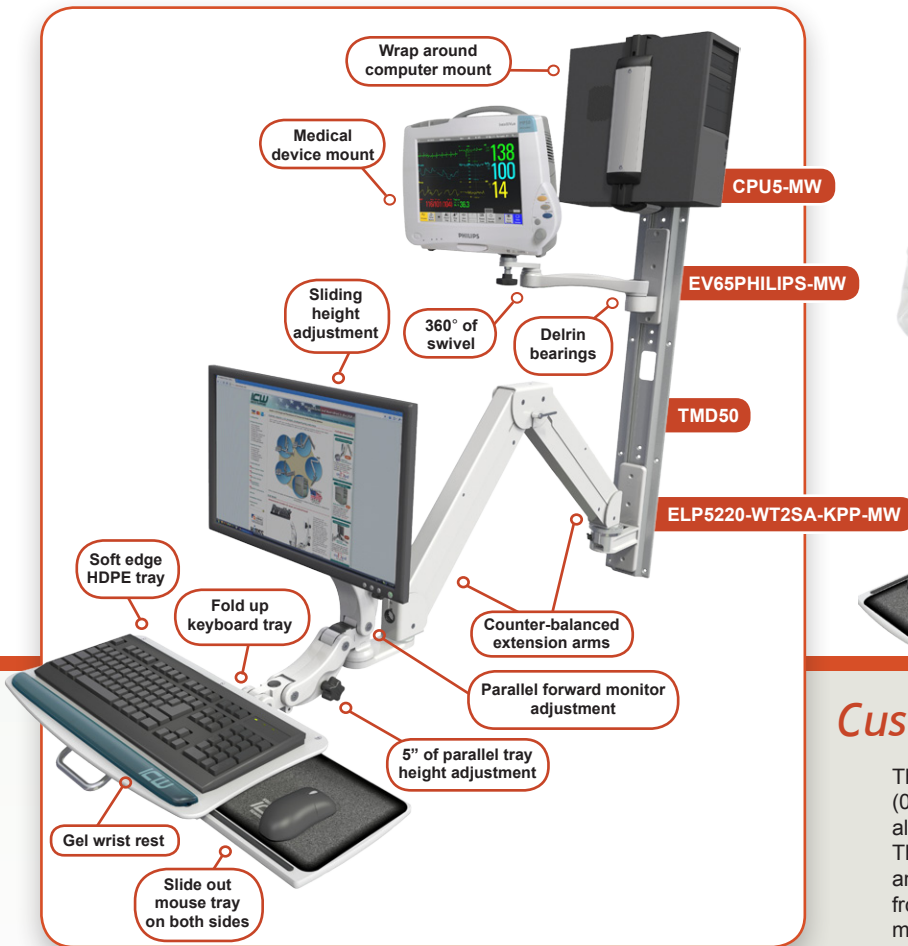


PACU Elite Workstation

PRODUCT SHEET

ELP5220-WT2SA-KPP-MW
EV65PHILIPS
CPU5
TMD50

Your entire workstation
in the smallest possible footprint



Customizable when you need it

The double Elite arm w/ Paralink supports a range of 1 - 22 lbs (0.5 - 10 kg) while providing effortless positioning. The Elite allows an LCD to be suspended and pulled out when required. The Elite arm is fully cable managed, gas spring assisted, and provides up to 42" of vertical and horizontal adjustment from mount to monitor, along with 180° of rotation. This wall mounted model has a height adjustable HDPE keyboard tray.

Machined out of billet aluminum, this unit is powder coated textured black for a durable, lasting finish. Hand assembly ensures that a quality product is shipped to you.



Finish*: MW, QG or TB
Weight: 1-22 lbs (0.5-10 kg)
Maximum reach: 75"
Keyboard tray size: 20" x 10"
Stow away depth: 11" from wall
Arm swivel at mount: 180°
Screen swivel: 180°
Screen tilt: 50°
VESA interface: 75mm and 100mm

Highlights

- Accommodates all keyboards and monitors
- Provides effortless positioning
- Conceals cables
- Longest reach. 75" when fully extended
- Adjustable arm tension
- 2 year manufacturer warranty

Need a custom solution?
Contact your ICW Rep
for more information.

Range
of motion
video



Visit: rdd.me/-7ksu2unx

Select a color

Specify one of our durable powder coating finishes with your order: Gloss White (MW), Quartz Gray (QG), and Textured Black (TB)



MW



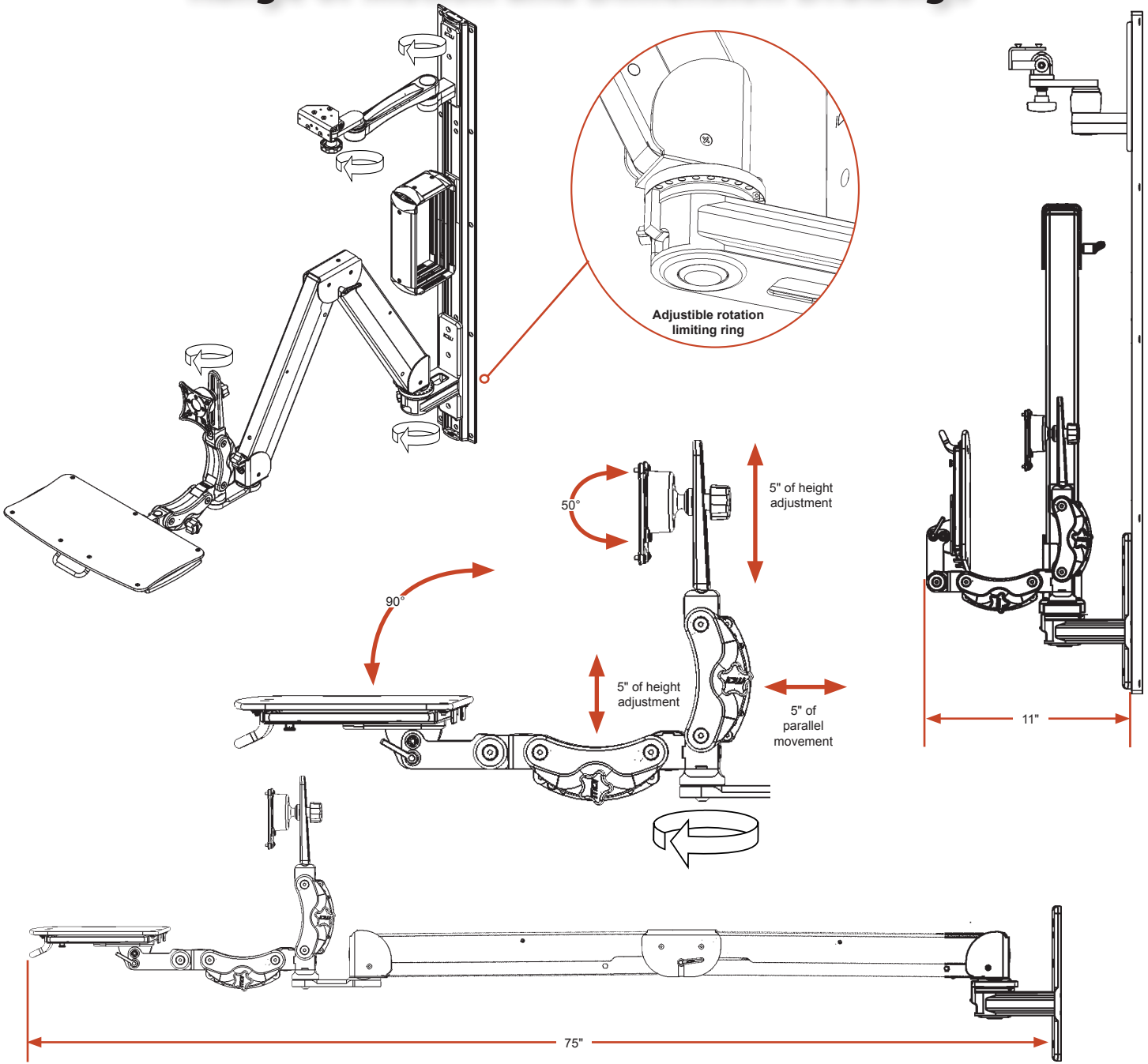
QG



TB

ICW SOLID SUPPORT MADE IN THE USA

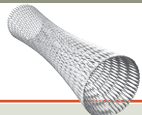
Range of Motion and Dimension Drawings



ACCESSORIES



Gel wrist rest



Wire Loom



Barcode scanner holder



Med tray



Mouse holder



Monitor handle

