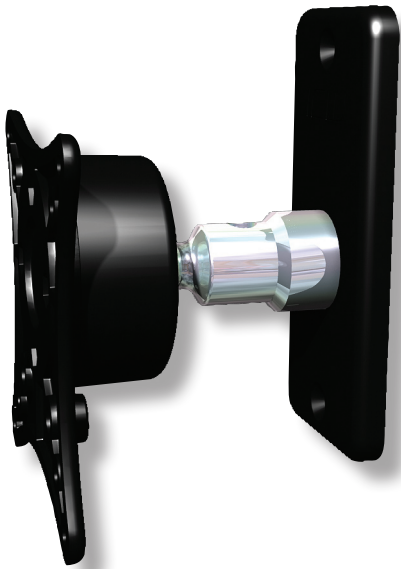
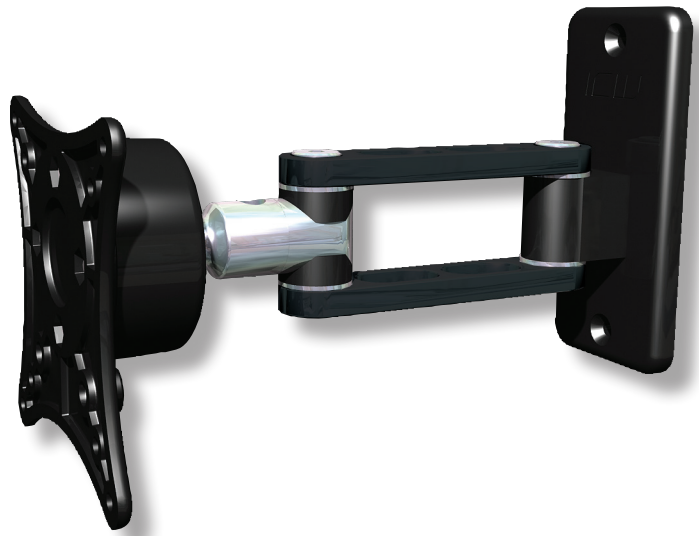


GX170



GX270



The compact solution

This compact ball joint monitor mount with an extra pivot arm extension allows you to have an additional range of tilt while still keeping your monitor close to the wall.

Machined out of billet aluminum, this unit is powder coated textured black for a durable, lasting finish. Hand assembly ensures that a quality product is shipped to you.



Screen
Rotation

360°



Screen
Tilt

50°



Screen
Swivel

50°

Finish*: MW, QG or TB

Load capacity: 28 lbs (12.7 kg)

GX170 Screen swivel: 50°

GX270 Screen swivel: 180°

Screen tilt: 50°

VESA interface: 75mm and 100mm

GX170 Shipping Weight: 2 lbs (0.9 kg)

GX270 Shipping Weight: 2.8 lbs (1.2 kg)

*Need a custom solution?
Contact your ICW Rep
for more information.*

*Last two product code characters specify color.

Select a color

Specify one of our durable powder coating finishes with your order: Gloss White (MW), Quartz Gray (QG), and Textured Black (TB)



MW

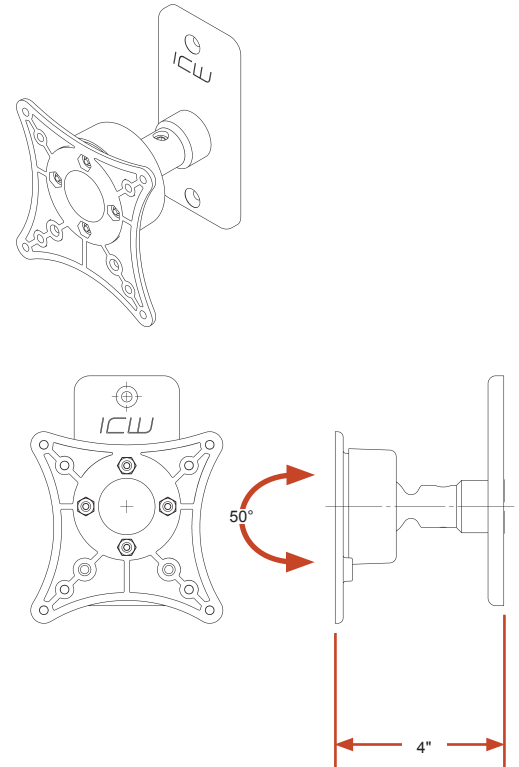
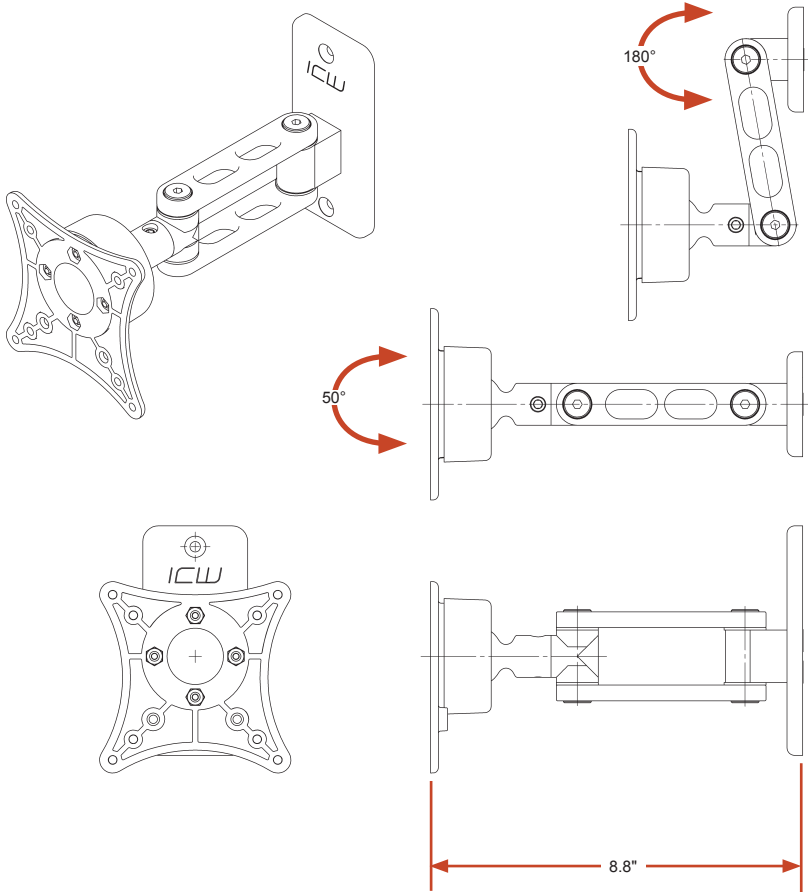


QG



TB

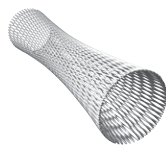
Range of Motion and Dimension Drawings



ACCESSORIES



Med tray



Wire Loom