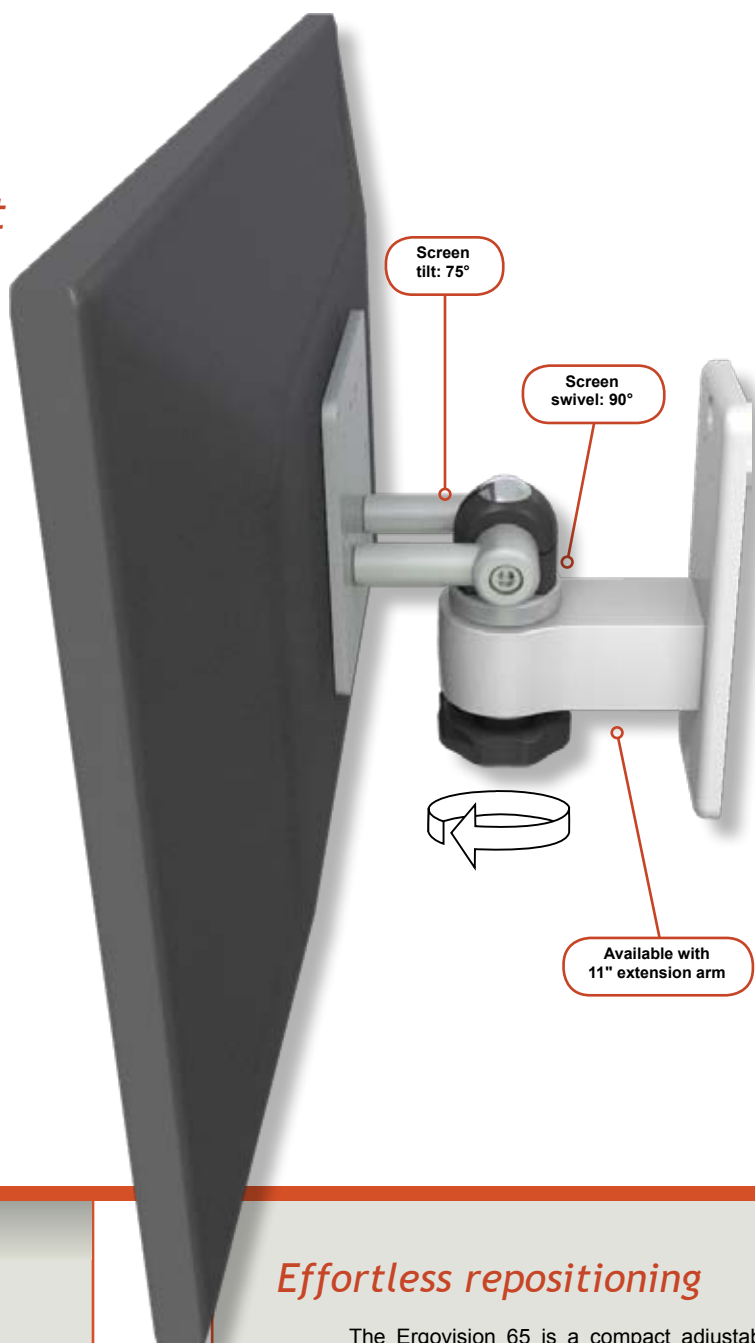


EV65-W2-QG

*Tilt and pivot mount  
hugs the wall*



(Monitor not included)

## Highlights

- Friction-based tilt adjustment
- Effortless mobility
- Available with 11" extension arm
- Available in wall, ceiling or pole versions

**Finish:** Gray, black or medical white  
**Weight capacity:** 30 lbs (13.6 kg)  
**Mounting surface:** Wall, ceiling or pole  
**Screen swivel:** 90°  
**Screen tilt:** 75°  
**VESA interface:** 75mm and 100mm

## Effortless repositioning

The Ergovision 65 is a compact adjustable monitor mount which has a low profile and still retains the ability for monitor repositioning. This model is designed to be mounted close to the mounting surface and still maintain tilt and pivot. The EV65 is available in wall, ceiling or pole versions.

## Select a color

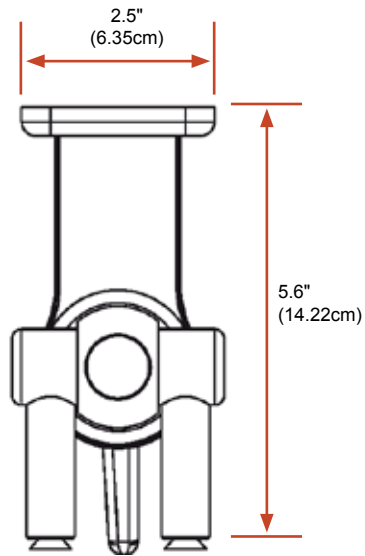
Specify one of our durable powder coating finishes with your order:

Gloss White (MW), Textured Black (TB), and Quartz Gray (QG)

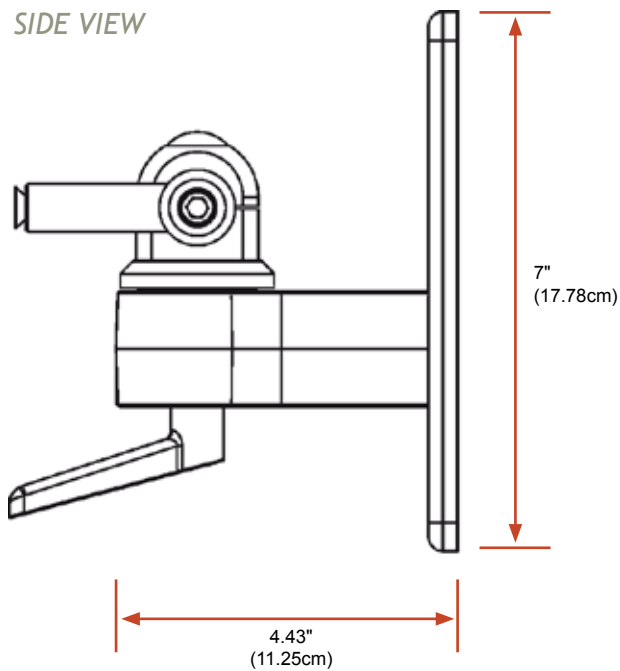


# Dimension Drawings

TOP VIEW



SIDE VIEW



FRONT VIEW

