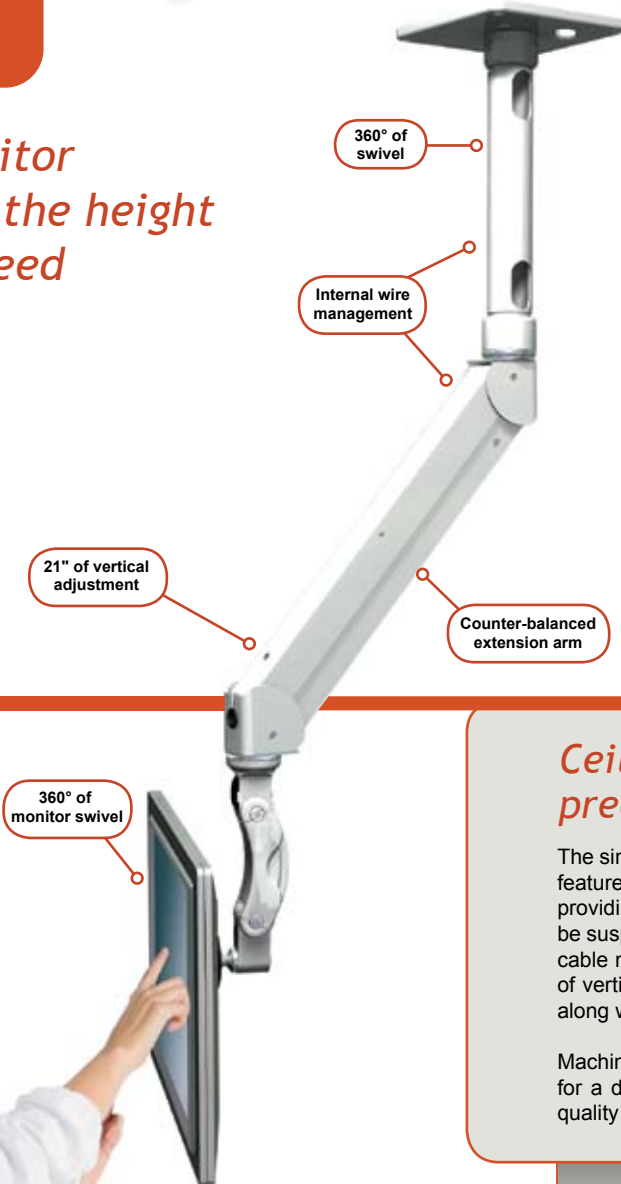


Single Arm Elite with Quicklink

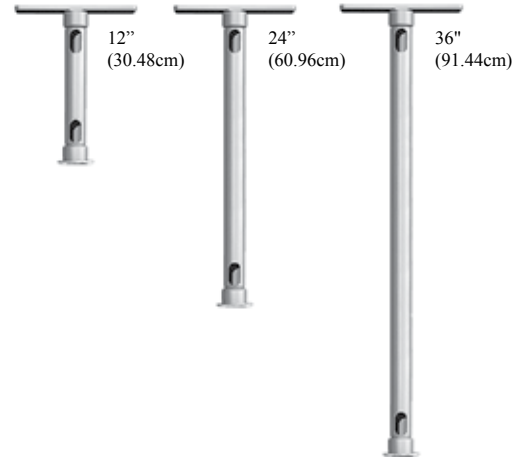
PRODUCT SHEET

ELQ5120-C8X12
ELQ5120-C8X24
ELQ5120-C8X36

Move your monitor
to exactly the height
you need



CEILING EXTENSION PIPES
available in three lengths



Ceiling mount frees up precious wall space

The single arm Elite with Paralink Swivel incorporates design features allowing it to support up to 28 lbs (12.7 kg) while providing effortless movement. The Elite allows an LCD to be suspended and pulled out when required. The Elite is fully cable managed, gas spring assisted, and provides up to 21" of vertical and horizontal adjustment from mount to monitor, along with 180° of rotation.

Machined from billet aluminum, the unit is powder coated for a durable, lasting finish. Hand assembly ensures that a quality product is shipped to you.

Highlights

- Frees up precious wall space
- Effortless positioning
- Conceals cables
- Counter-balanced vertical stowability
- Adjustable arm tension
- 2 year manufacturer warranty

(Monitor not included.)

| | | | |
|-----------------|---------------|-------------|---------------|
| | | | |
| Vertical Adjust | Maximum Reach | Screen Tilt | Screen Swivel |
| 21" | 33.6" | 180° | 360° |

Finish: Gray, black or medical white
 Weight capacity: 28 lbs (12.7 kg)
 Vert. adjustment range: 21" (53.34cm)
 Maximum reach: 33.6"
 Arm swivel at mount: 360°
 Screen swivel: 360°
 Screen tilt: 180°
 VESA interface: 75mm and 100mm

Need a custom solution?
Contact your ICW Rep
for more information.

Select a color

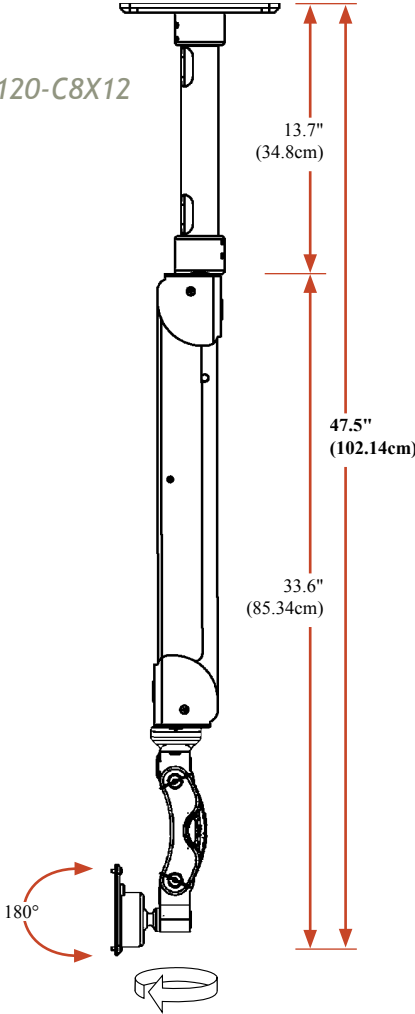
Specify one of our durable powder coating finishes with your order:

Gloss White (MW), Textured Black (TB), A-dec Tan (T), Pelton Putty (P), and Quartz Gray (QG)

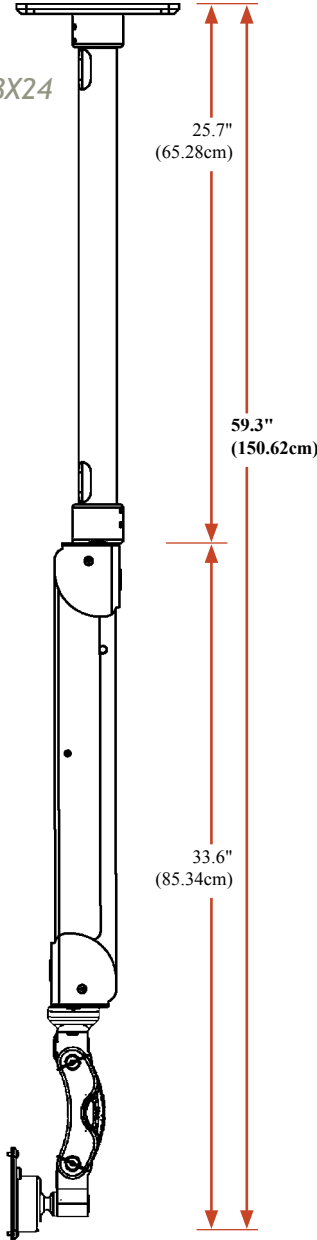


Range of Motion and Dimension Drawings

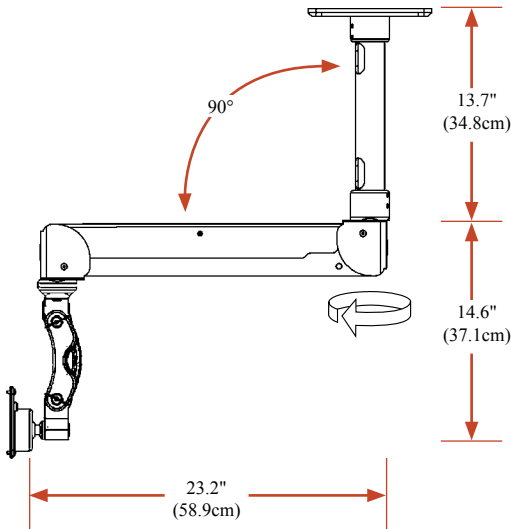
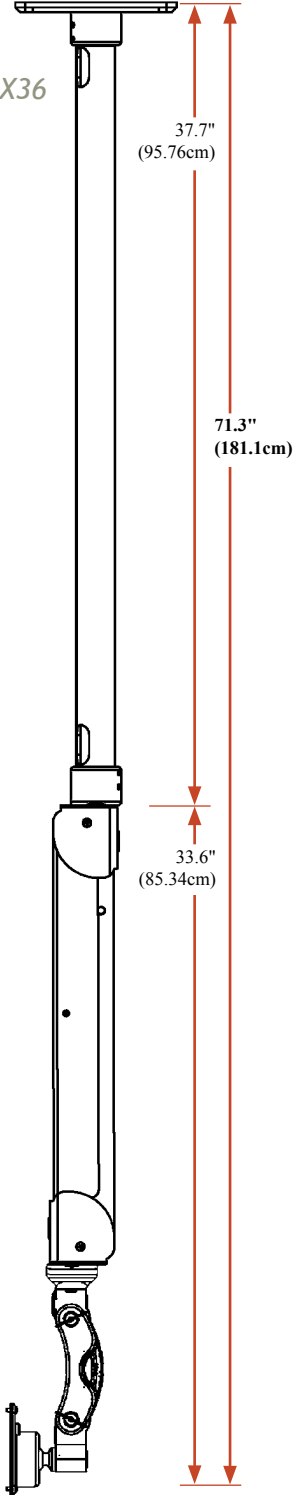
ELQ5120-C8X12



ELQ5120-C8X24



ELQ5120-C8X36



ICW
SOLID SUPPORT

ICWUSA.com, Inc.
1487 Kingsley Drive
Medford, OR 97504
800-558-4435