

Bar Code Scanner and Device Mount



Mini PC Mount



Shown on the Inverted Ultra 180 Arm with a **Motorola scanner**

Mounts conveniently behind the monitor

Brackets available for most popular scanner models

Easily installs on ANY VESA plate

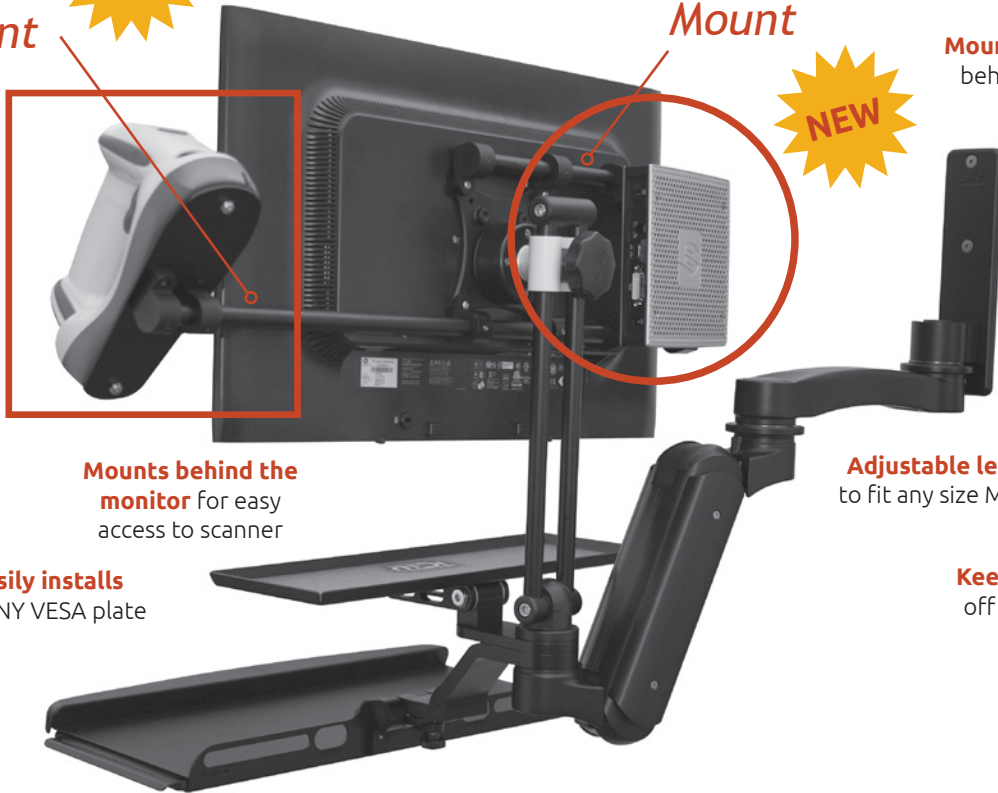
Mount length and tilt are fully adjustable

Mounts behind the monitor for easy access to scanner

Adjustable length to fit any size Mini PC

Easily installs on ANY VESA plate

Keeps the computer off the desk or floor



Individual or combination Scanner and Mini PC mounts available

Behind the monitor Scanner or Device Mount

Shown on the Inverted Ultra 180 Arm with a Motorola scanner

- Mounts a bar code scanner or other device next to the monitor
- Easily installs on any VESA mount
- ICW has brackets for most popular bar code scanner models
- Mount length and tilt are fully adjustable
- Combination Scanner and Mini PC Mounts available

Mini PC Mount

Shown on the Inverted Ultra 180 Arm

- Mounts conveniently and out of the way behind the monitor
- Easily installs on any VESA mount
- Adjustable length to fit any size Mini PC
- Keeps the computer off the desk or floor

Need a custom solution? Contact your ICW Rep for more information.



16" (40.6 cm)



360°

Load capacity: 28 lbs combined weight with monitor (12.7 kg)

Max. horizontal adjust: 16" (40.6 cm)

Device tilt: 360°

VESA interface: Any

Color

Available in anodized black

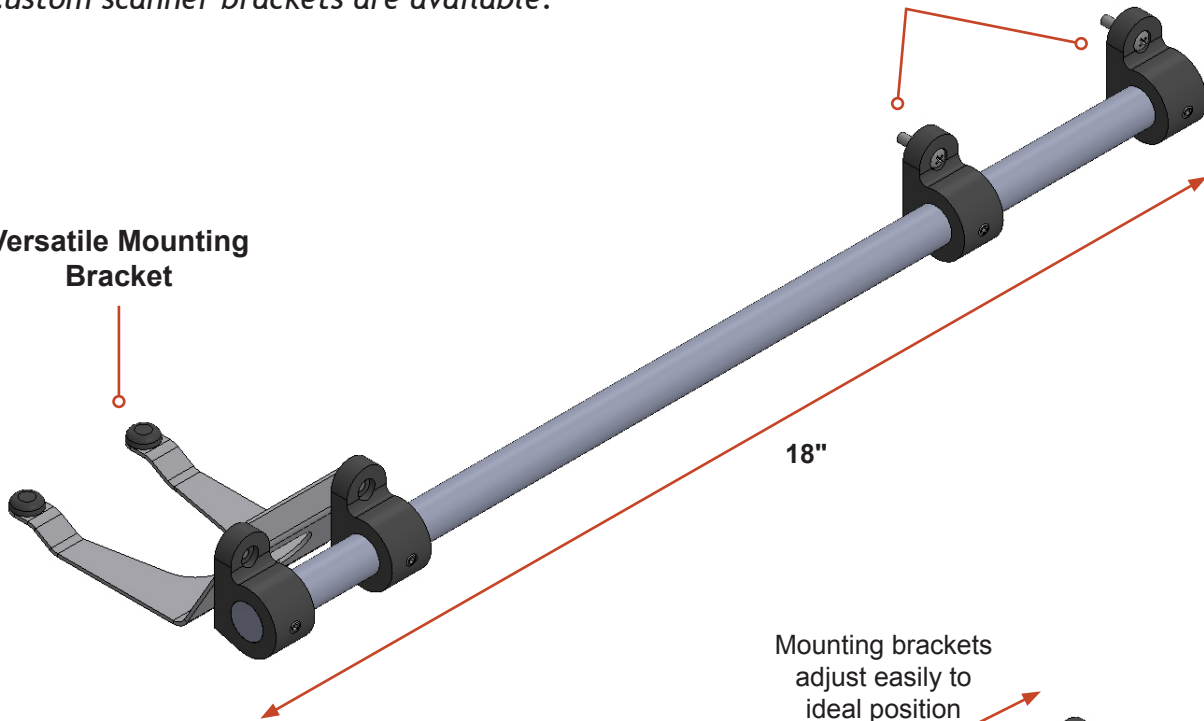


Dimension Drawings

*We can mount any Scanner Bracket.
Custom scanner brackets are available.*

Mini PC Mount
attaches to any VESA plate

**Versatile Mounting
Bracket**



**Honeywell
Mounting Bracket**

