

ICW ULTRA ARM INSTALLATION

ICWUSA.com, Inc.

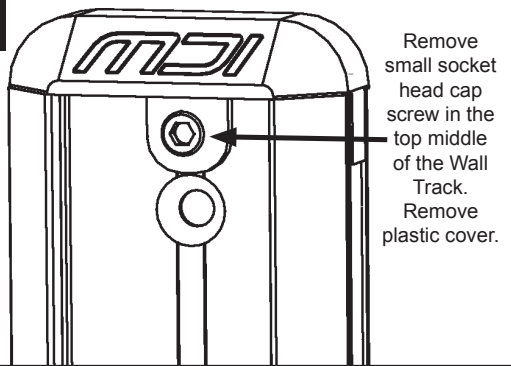
If you have any questions, please call 1-800-558-4435

IF MOUNTING TO THE ULTRA WALL TRACK

MOUNT ULTRA TRACK TO WALL

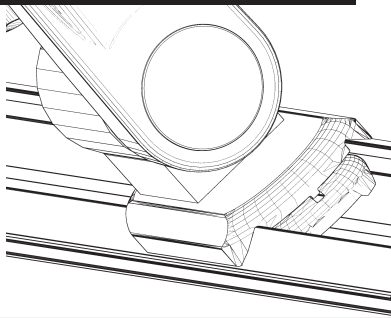
Locate the wall stud and mark the top hole of the Wall Track, drill 11/64 pilot hole and insert #14 screw and tighten slightly. Use a level, mark the lower holes, drill pilot holes and then insert the #14 screws.

NOTE: #14 Wood screws are supplied with unit. If installing into metal studs, you will need to replace these with proper metal stud fasteners



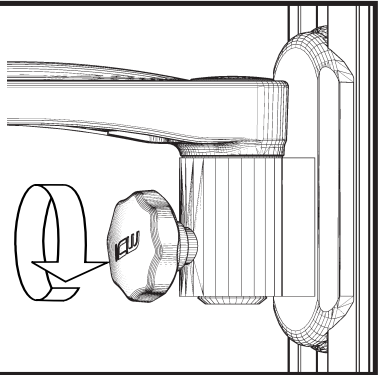
ATTACH SLIDER TO ULTRA TRACK

Insert Slider into Wall Track as shown at left and replace the small socket head cap screw and plastic cover.



Once you have adjusted the slider to the desired height, tighten down the Track Slider using the handle on the slider as shown.

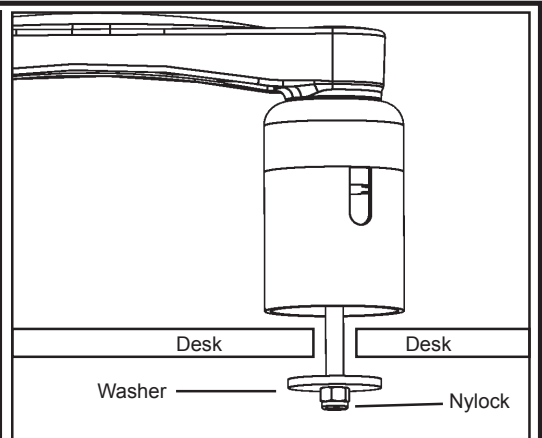
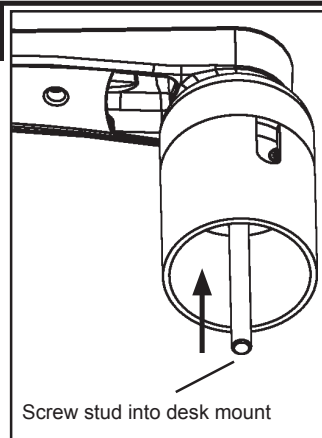
Once tight, make sure the handle is positioned so that it is pointing down as far as possible. Pull and turn handle to position.



IF MOUNTING TO A DESK

ATTACH DESKMOUNT TO DESK

Drill a 3/8 hole through the horizontal surface you intend to mount to and push the 3/8 stud on the desk mount through the hole. Slip the large mounting washer over the stud from underneath, add the 3/8 split-washer, and secure in place with the 3/8 nylock.

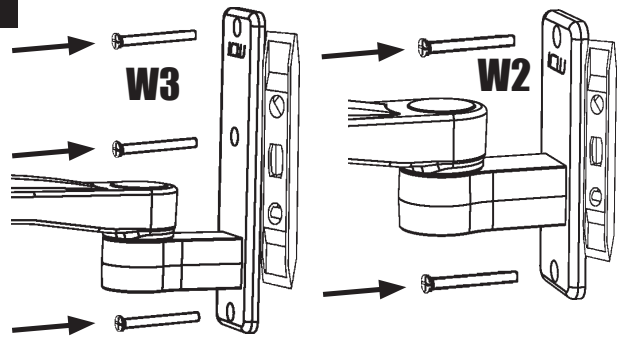


IF MOUNTING TO A WALL

ATTACH WALL PLATE TO WALL

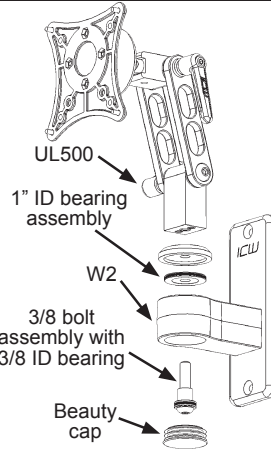
Locate the stud and mark the top hole, drill 11/64 pilot hole and insert #14 screw and tighten slightly. Using a level, mark the lower hole and drill pilot hole, insert #14 screw and, with the unit level, tighten both screws.

NOTE: ICW supplies #14 wood screws. If installing onto metal studs, you will need to replace with proper metal stud fasteners.



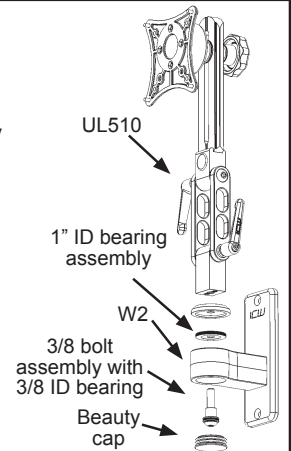
ATTACH UL500 TO W2

Attach to UL500 to W2 wall mount using 3/8 bolt assembly and 1" bearing assembly provided. Insert bolt assembly up through wall ear. Place 1" bearing assembly over bolt on other side of wall ear. Place UL500 over bolt and bearing and turn bolt until UL500 is secure and smoothly turns against the bearing.



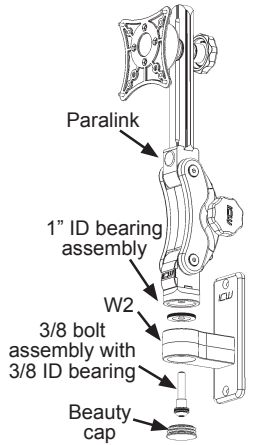
ATTACH UL510 TO W2

Attach to UL510 to W2 wall mount using 3/8 bolt assembly and 1" bearing assembly provided. Insert bolt assembly up through wall ear. Place 1" bearing assembly over bolt on other side of wall ear. Place UL510 over bolt and bearing and turn bolt until UL510 is secure and smoothly turns against the bearing.



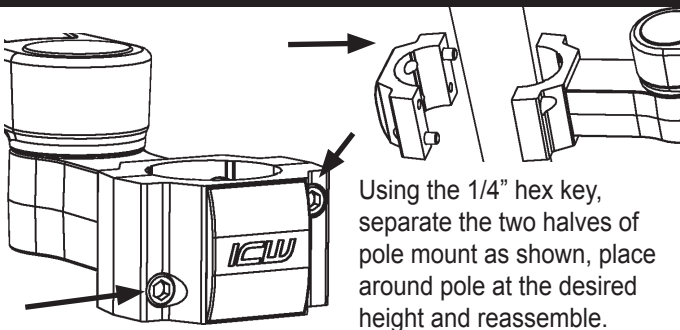
ATTACH PARALINK TO W2

Attach to Paralink to W2 wall mount using 3/8 bolt assembly and 1" bearing assembly provided. Insert bolt assembly up through wall ear. Place 1" bearing assembly over bolt on other side of wall ear. Place Paralink over bolt and bearing and turn bolt until Paralink is secure and smoothly turns against the bearing.



IF MOUNTING TO A POLE

ATTACH POLE CLAMP TO POLE

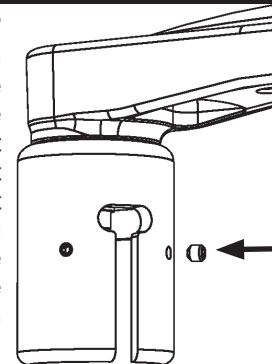


Using the 1/4" hex key, separate the two halves of pole mount as shown, place around pole at the desired height and reassemble.

OR

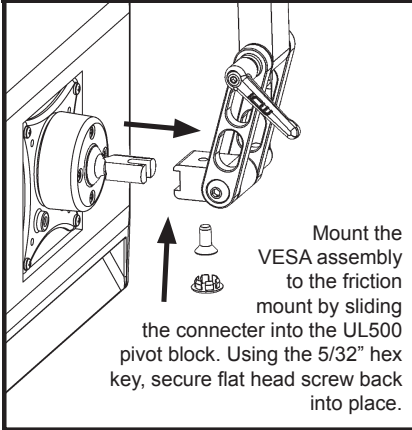
ATTACH RADIUS MOUNT TO POLE

Using a 1/8" hex key wrench make sure the set screws in the radius mount are pulled out enough that the mount will easily slide down over the pole. Tighten the set screws.

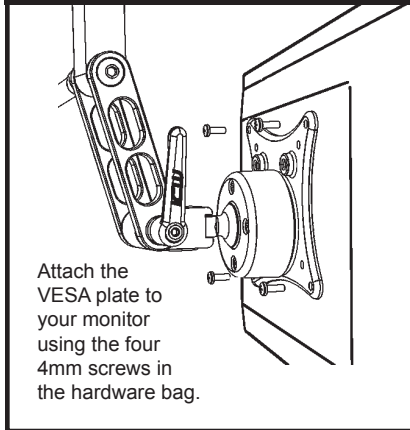


IF USING UL500

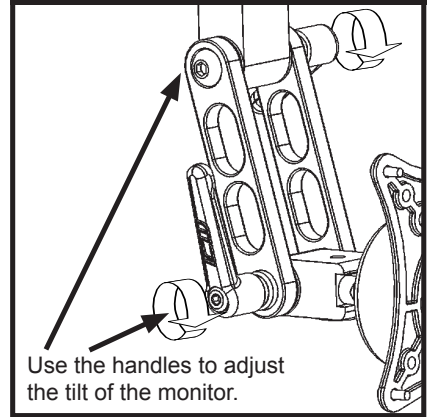
ATTACH VESA TO UL 500



ATTACH VESA TO MONITOR



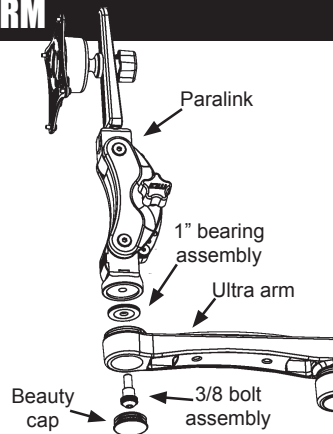
ADJUST TILT HANDLES



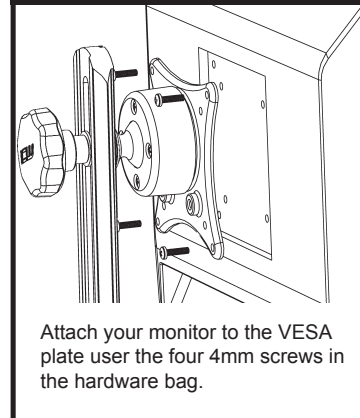
IF USING UL550

ATTACH PARALINK TO ULTRA ARM

Attach to Paralink to Ultra arm using 3/8 bolt assembly and 1" bearing assembly provided. Insert bolt assembly up through arm. Place 1" bearing assembly over bolt on other side of arm. Place Paralink over bolt and bearing and turn bolt until Paralink is secure and smoothly turns against the bearing.



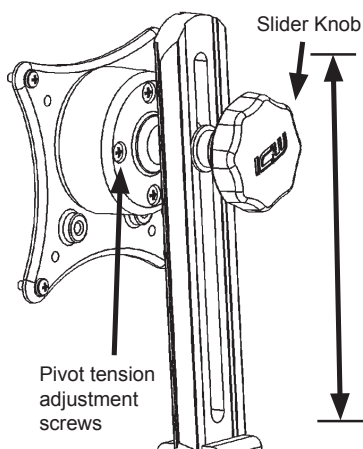
ATTACH TO MONITOR



ADJUST BALL VESA TENSION & HEIGHT

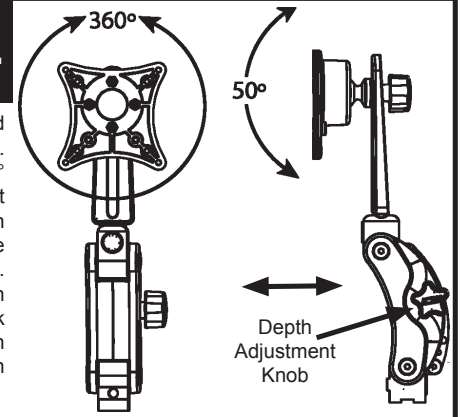
Use the slider knob to loosen the slider to adjust the height of the monitor on the Paralink.

Adjust the pivot tension of the ball by gently and evenly tightening or loosening the four screws on the back of the ball VESA.



ADJUST PARALINK TILT

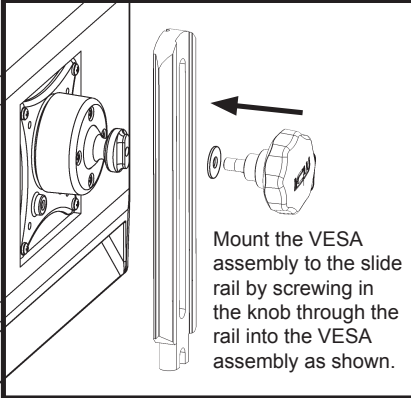
Adjust monitor to desired position with ball VESA. Tilt your monitor 50° in any direction. Adjust your monitor between portrait and landscape by rotating ball VESA. Adjust monitor depth by moving the paralink forward or back then tightening the depth adjustment knob.



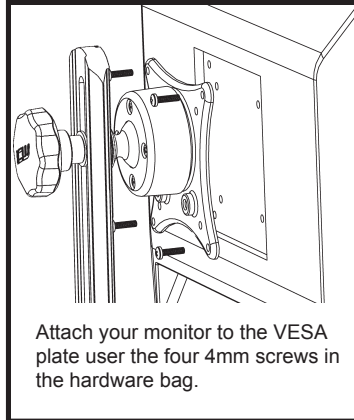
ULTRA ARM INSTALLATION

IF USING UL510

ATTACH VESA

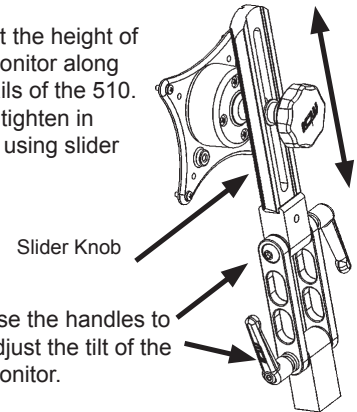


ATTACH TO MONITOR



ADJUST TILT & MONITOR HEIGHT

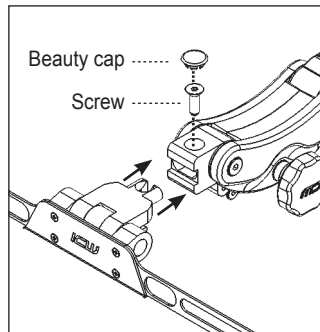
Adjust the height of the monitor along the rails of the 510. Then tighten in place using slider knob.



IF USING PARALINK KEYBOARD TRAY

ATTACH PARALINK

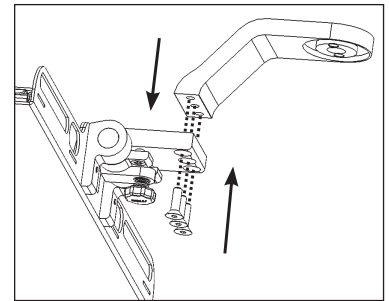
1. Remove beauty cap on Paralink.
2. Remove screw using 3/16" hex key.
3. Slide keyboard tray into Paralink.
4. Replace screw and tighten.
5. Replace beauty cap.



IF USING ULTRA KEYBOARD TRAY

ATTACH FLIP UP

1. Remove screws from drop extension using 5/32" hex key.
2. Align holes in keyboard tray with screw holes in drop extension.
3. Attach keyboard tray using the provided screws.



ULTRA CORD MANAGEMENT

1. Prepare all cables to route within the arm by placing them near cavity of arm and bundling together if necessary.
2. Remove cover by unscrewing four socket head cap screws. Screws are captured by the cover so they cannot fall out. Once screws are disengaged, pull cover out of arm.
3. Place cables within the channel. Do not block the holes where screws will engage in arm.
4. Replace cover and tighten screws. Cables should be able to pull through to desired position if necessary.

