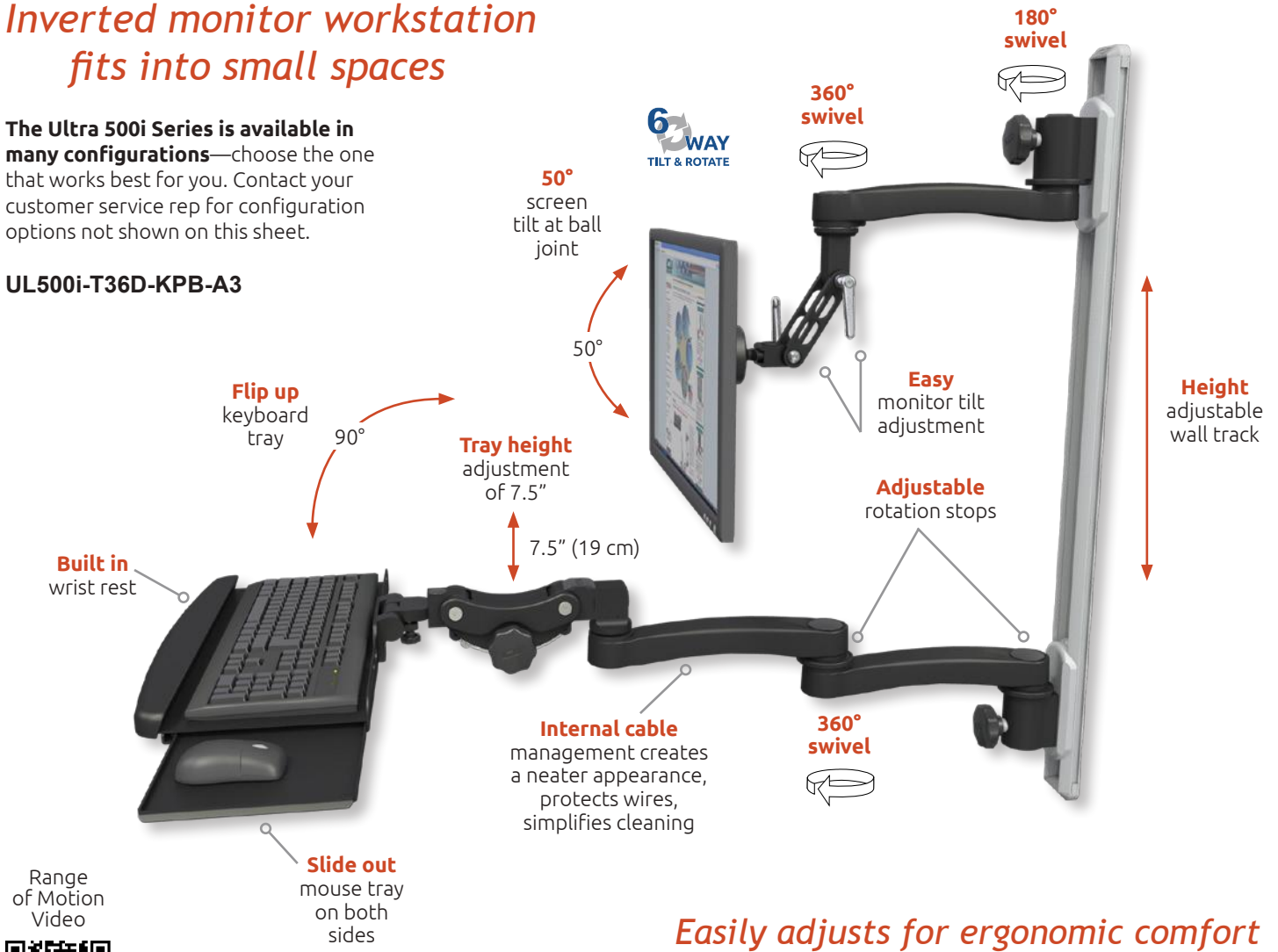


Inverted monitor workstation fits into small spaces

The Ultra 500i Series is available in many configurations—choose the one that works best for you. Contact your customer service rep for configuration options not shown on this sheet.

UL500i-T36D-KPB-A3



Monitor and keyboard not included

Easily adjusts for ergonomic comfort

- The Ultra 500i workstation is an ideal choice for healthcare environments where space is at a premium.
- The ultra-maneuverable LCD and keyboard mounting system fits on a slim wall track, reaches up to 42" (106.7 cm) with two arms and folds to a compact 5.5" (14 cm) against the wall.
- The keyboard tray has a slide-out mouse tray on both sides and flips up and out of the way when not in use.
 - 19", 36" and 50" wall track options
 - 11" extension arms available for both keyboard and monitor
 - Several fold-up keyboard tray options available

Maximum Reach	Screen Swivel	Screen Tilt	Arm Swivel
42" (106.7 cm)	360°	180°	180°

Load capacity: 18 lbs (8.2 kg) LCD only, 28 lbs (12.7 kg) LCD and keyboard
Maximum reach: 42" (106.7 cm)
Stowed depth: 5.5" (14 cm)
Arm swivel at mount: 180°
Screen swivel: 360°
Screen tilt: 180°
VESA interface: 75mm and 100mm

Need a custom solution? Contact your ICW Rep for more information.

Select a color

Specify one of our durable powder coating finishes with your order:

Gloss White (MW), Writable Black (WB), A-dec Tan (T), Pelton Putty (P), and Quartz Gray (QG)



Configuration Options and Dimensional Drawings

36" WALL TRACK



UL500i-T36D-KPP

- Inverted monitor, armless
- Keyboard tray with Paralink

36" WALL TRACK



UL500i-T36D-KUB-A3

- Inverted monitor with 1 Ultra arm
- Keyboard tray with 2 Ultra arms

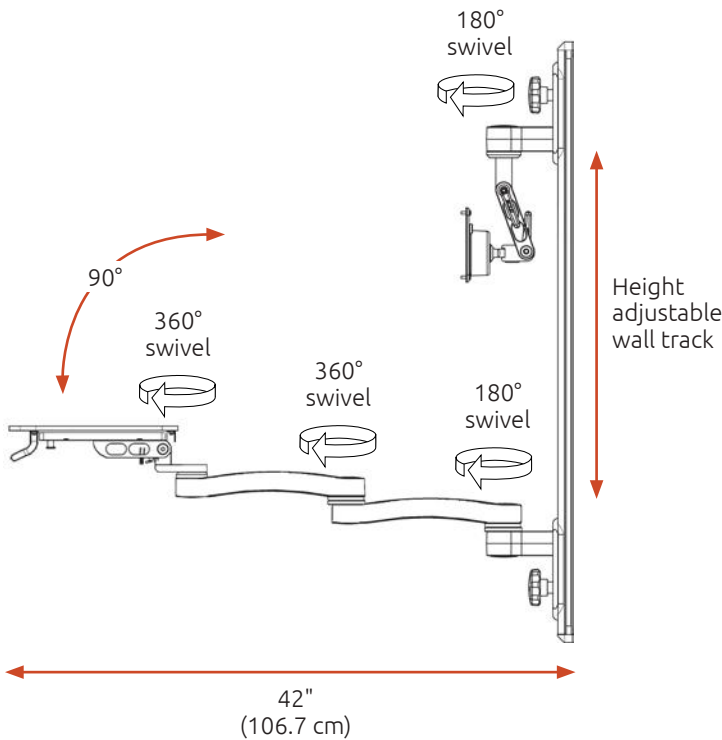
50" WALL TRACK



UL500i-T50D-KPB-A1

- Inverted monitor, armless
- Keyboard tray with Paralink, 1 arm

EXTENDED



STOWED

