



ULTRA, UL180 & UL182 ARM INSTALLATION

ICWUSA.com, Inc.

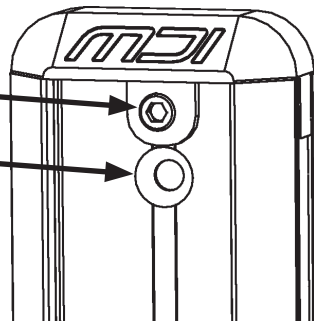
If you have any questions please call Toll Free 1-800-558-4435

▶ MAXIMUM LOAD CAPACITY: 32 LBS. (14.5 KG)

If Mounting to Ultra Wall Track

MOUNT ULTRA TRACK TO WALL

- Remove small socket head cap screw in top center of the Wall Track. Remove plastic cover.
- Locate the wall stud and mark the top hole of the Wall Track.
- Drill 11/64 pilot hole, insert #14 screw and tighten slightly. Use a level, mark the lower holes, drill pilot holes and then insert the #14 screws.

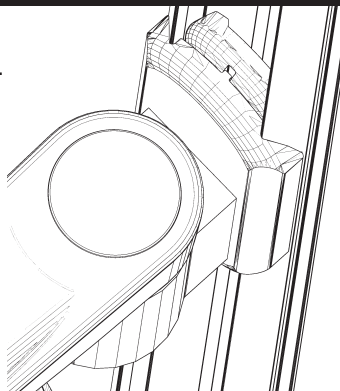


ICW recommends wood or metal stud mounting only.

NOTE: #14 Wood screws are supplied with unit. If installing into metal studs, you will need to replace these with proper metal stud fasteners

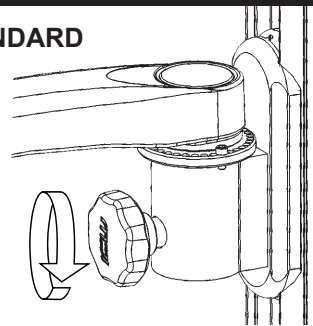
ATTACH SLIDER TO ULTRA TRACK

- Insert slider into wall track.
- Replace the plastic cover and small socket head cap screw.

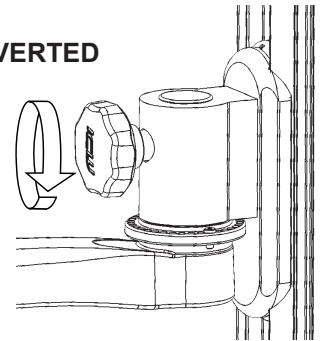


ADJUST SLIDER POSITION

STANDARD



INVERTED

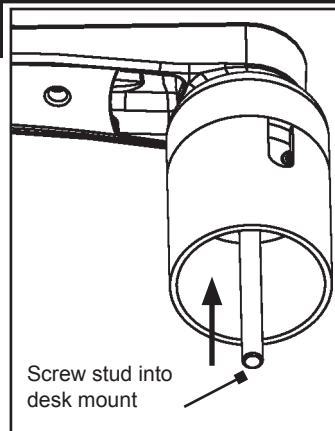


Adjust slider to desired height. Tighten slider using adjustment knob.

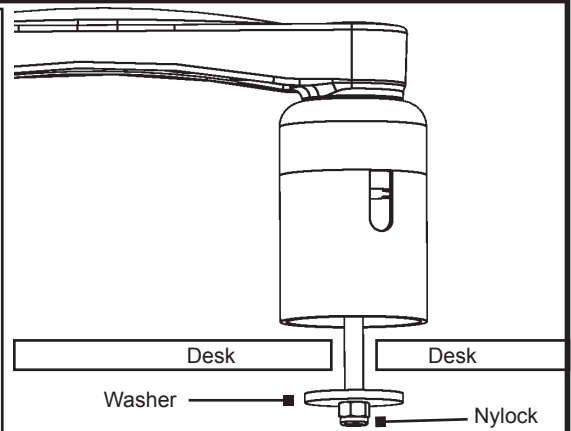
If Mounting to a Desk

ATTACH ULTRA DESK MOUNT

- Drill a 3/8" hole through the horizontal mounting surface.
- Screw stud into base of desk mount.
- Push the stud on the desk mount through the hole.
- Slide the large mounting washer over the stud from underneath.
- Secure in place with 3/8" nylock nut.



Screw stud into desk mount



Desk Desk Washer Nylock

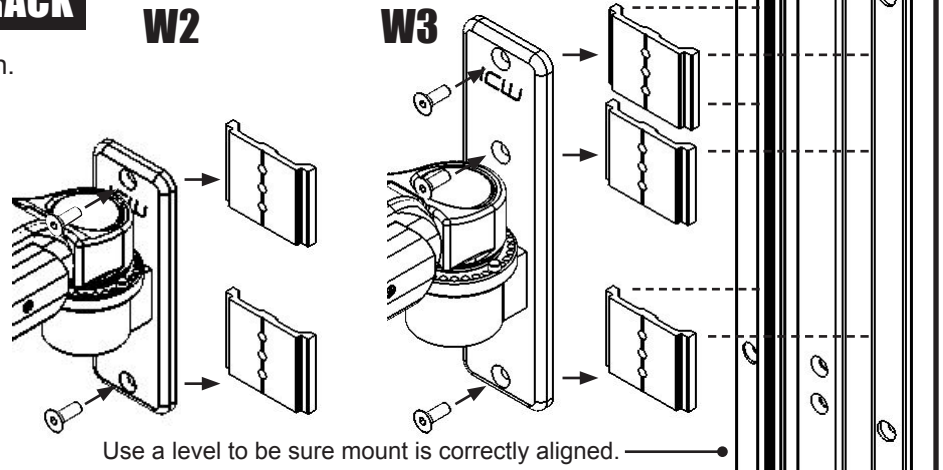
Desk Mount Part Number	Stud Length	Maximum Desk Thickness
D0	3.50"	2.47"
D1	3.50"	1.87"
D3	5.50"	1.87"
D5	7.50"	1.87"
D7	10.50"	2.38"

ULTRA, UL180 & UL182 ARM INSTALLATION

If Mounting to an MD Track ICW recommends wood or metal stud mounting only.

MOUNT WALL PLATE TO MD TRACK

- Install track as per MD track installation.
- Loosely attach track adapters to wall ear (W2 or W3).
- Slide wall ear with loosely attached track adapters into MD track.
- Once in desired position, tighten one track adapter with 5/32 Allen wrench.
- Check to ensure wall ear is level and tighten remainder or track adapters.



If Mounting To A Wall

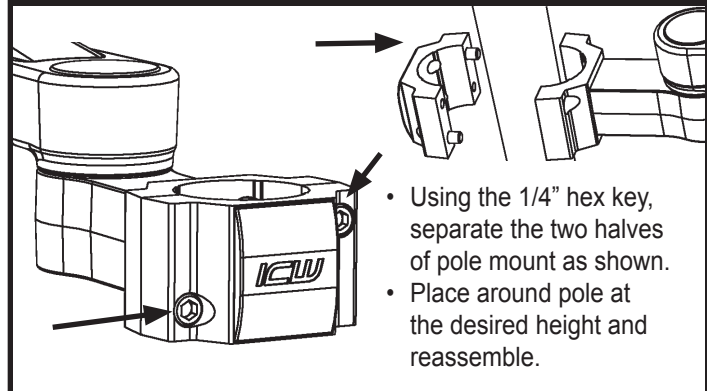
MOUNT WALL PLATE TO WALL

- Locate the wall stud and mark top hole for wall mount.
- Drill 11/64" pilot hole. Insert #14 screw and tighten slightly.
- Using a level, mark the lower hole(s) and drill pilot hole(s).
- Insert #14 screw(s) and, with the unit level, tighten all screws.

NOTE: ICW supplies #14 wood screws. If installing onto metal studs, you will need to replace with proper metal stud fasteners.

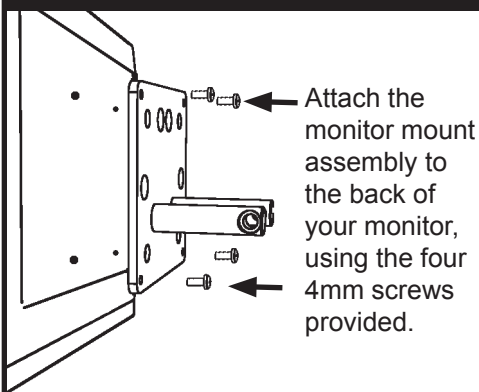
If Mounting To A Pole

ATTACH POLE CLAMP TO POLE



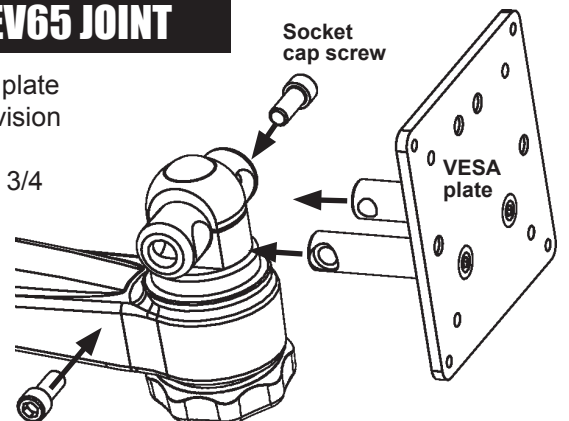
If Using EV65

ATTACH VESA TO MONITOR



ATTACH VESA TO EV65 JOINT

- Insert stubs on VESA plate into holes in the Ergovision joint assembly.
- Insert provided 5/16 x 3/4 socket cap screws in both sides and tighten.
- Use the handle under mount to loosen tilt friction and adjust monitor tilt.

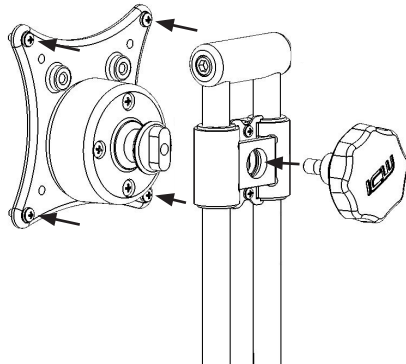


ULTRA, UL180 & UL182 ARM INSTALLATION

If Using EV710

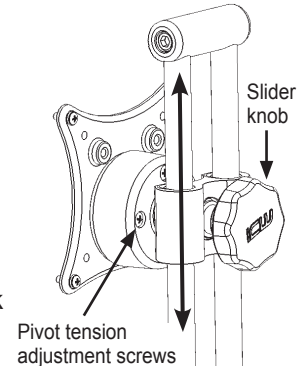
MOUNT VESA TO SLIDE RAILS, ATTACH MONITOR

- Mount VESA assembly to slide rails.
- Fasten slider knob through rails and into VESA assembly.
- Attach VESA to monitor using four 4mm screws in the hardware bag.



ADJUST BALL VESA HEIGHT & TENSION

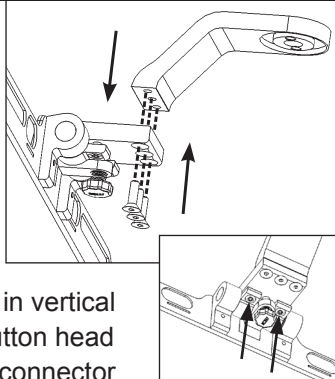
- To adjust the height of monitor, loosen slider knob, position monitor height on slider rails, then tighten knob.
- To adjust pivot tension, gently and evenly tighten or loosen the four screws on the back of the ball VESA.



If Attaching To Ultra Flip-Up

ATTACH FLIP-UP TRAY

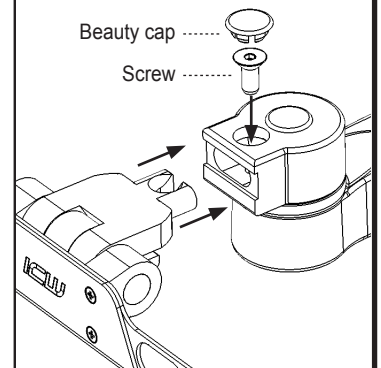
- Remove screws from drop extension using 5/32" hex key.
- Align holes in keyboard tray with screw holes in drop extension.
- Attach keyboard tray using the provided screws.
- If keyboard will not remain in vertical position, tighten the two button head screws underneath flip-up connector to adjust the flip-up's tension.



If Attaching To Quick Disconnect

ATTACH QUICK DISCONNECT

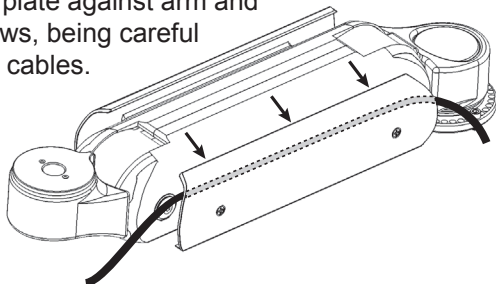
- Remove beauty cap on Quick Disconnect block.
- Remove screw using 3/16" hex key.
- Slide keyboard tray into Quick Disconnect block.
- Replace screw and tighten.
- Replace beauty cap.



Ultra 180 & 182 Arm Cable Management

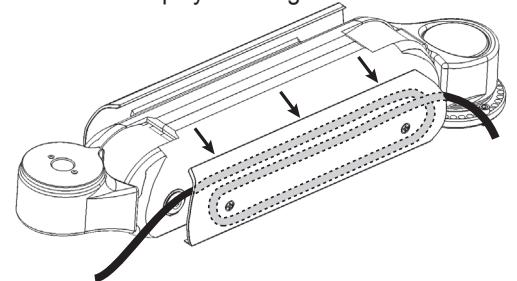
RUN CABLES THROUGH ARM

- Cover plate is spring loaded. Loosen cover plate screws on side of arm just enough to fit cables through gap.
- Run cables loosely between cover plate and arm. Cables can be run on either or both sides of the arm.
- Push cover plate against arm and tighten screws, being careful not to pinch cables.



STORE CABLE INSIDE COVER PLATE

Extra cable can be looped inside the cover plate to provide a neater appearance and simplify cleaning.

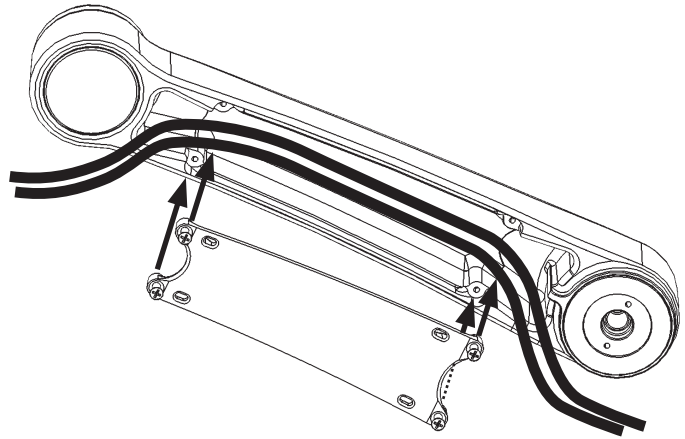


ULTRA, UL180 & UL182 ARM INSTALLATION

Ultra Arm Cable Management

ULTRA CABLE MANAGEMENT

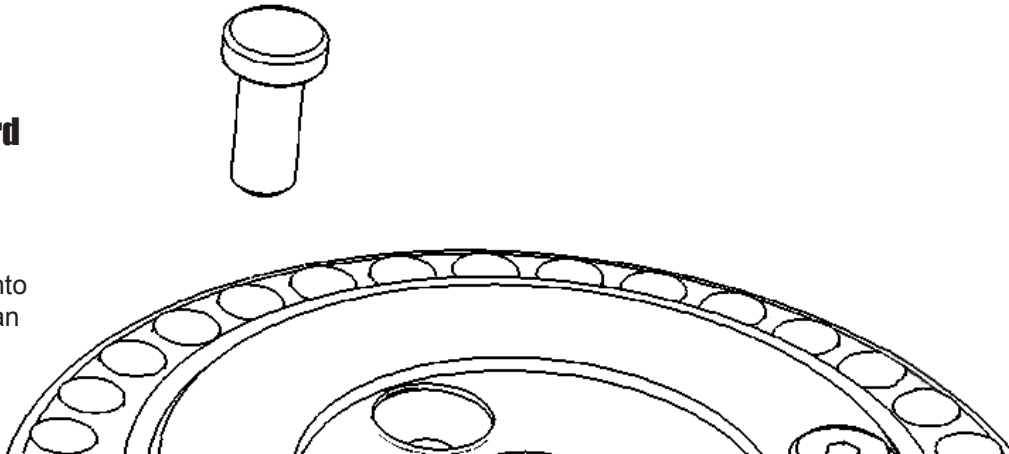
- Prepare all cables to route within the arm by placing them near cavity of arm and bundling together if necessary.
- Remove cover by unscrewing four Phillips head cap screws. Screws are captured by the cover so they cannot fall out. Once screws are disengaged, pull cover out of arm.
- Place cables within the channel. Do not block the holes where screws will engage in arm.
- Replace cover and tighten screws. Cables should be able to pull through to desired position if necessary.



Adjusting Rotation Limits

Adjusting rotation limits for the standard Ultra Arm

Place Stop Pins as shown. The Stop Pin is built into the arm rather than into the wall ear.



Adjusting Arm Tension

IMPORTANT

Extend the UL180 or UL182 straight out and be sure all equipment is mounted on the arm before adjusting the arm's resistance. Use the T-handle provided to adjust the arms' resistance. Do not use power tools to adjust.

DO NOT ADJUST THE ARM TO SUPPORT MORE THAN 32 LBS. DOING SO MAY DAMAGE THE ARM.

ADJUST ARM TENSION

Using the 3/16" T-handle hex wrench provided, turn the screw in the UL180/182 arm clockwise to lighten the arm's load resistance, or counter-clockwise to increase the load resistance. The arm must be horizontal before adjusting.

