

Available in 3 Models

TABSDM: **Theft Resistant**

TABCC: **Clamp mount**

TABV: **VESA mount, no stand**



Universal Tablet Mount with optional Theft Resistant Fastener

ICW's versatile Tablet Mount securely holds tablets and provides exceptional range of motion. It's an excellent solution for retail points of sale, healthcare, dental and industrial applications.

- Spring loaded cradle expands and contracts to fit sizes listed in the chart below.
- Theft resistant TABSDM model secures tablet to plate.
- Rotates easily from portrait to landscape mode.
- Adjusts 16.6" (42 cm) vertically, swivels 360° and tilts to any viewing angle.
- Attaches to a counter or desk with a clamp or desk mount.
- Commercial grade quality.
- 5 year warranty.

Universal Tablet Mount fits these tablet dimensions

Width range: 9.5 to 11.5" (24 to 29 cm)

Height range: 6.5 to 8.0" (16.5 to 20.3 cm)

Thickness: Up to .56" (14.2 cm)

Dimensions below are shown in inches

TABLET	WIDTH	HEIGHT	THICKNESS	SCREEN SIZE
Apple iPad Air 2	9.4	6.6	0.29	9.7
Apple iPad Air	9.4	6.6	0.29	9.7
Apple iPad 4	9.5	7.31	0.37	9.7
Apple iPad 3	9.5	7.31	0.37	9.7
Apple iPad 2	9.5	7.31	0.34	9.7
Apple iPad 1	9.56	7.47	0.5	9.7
Samsung Tab S 10.5	9.74	6.98	0.26	10.5
Samsung Tab A 9.7	9.55	6.57	0.29	9.7
Samsung Tab 4 10.1	9.58	6.94	0.31	10.1
Samsung Note 10.1	9.6	6.8	0.3	10.1
Samsung Tab Pro 10.1	9.57	6.75	0.3	10.1
Microsoft Surface 3	10.52	7.36	0.34	10.8
Microsoft Surface Pro 3	11.5	7.93	0.36	12
Microsoft Surface 2	10.81	6.79	0.35	10.6
Microsoft Surface Pro 2	10.81	6.81	0.53	10.6
Microsoft Surface RT	10.81	6.77	0.37	10.6
Microsoft Surface Pro	10.81	6.81	0.53	10.6

Range of Motion Video



For more information contact your ICW representative or talk to one of our customer service representatives at 1-800-558-4435.

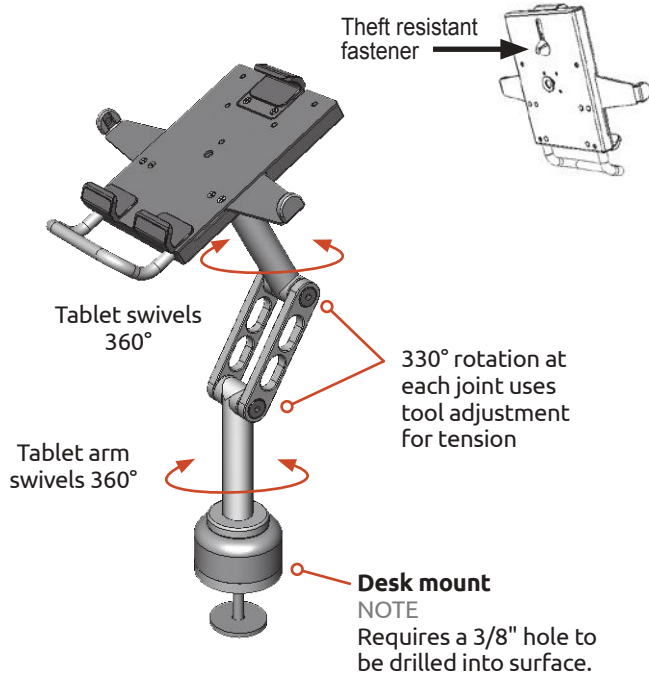
Range of Motion and Dimension Drawings

Available in 3 Models

MODEL: **TABSDM**

Theft Resistant Desk Mount

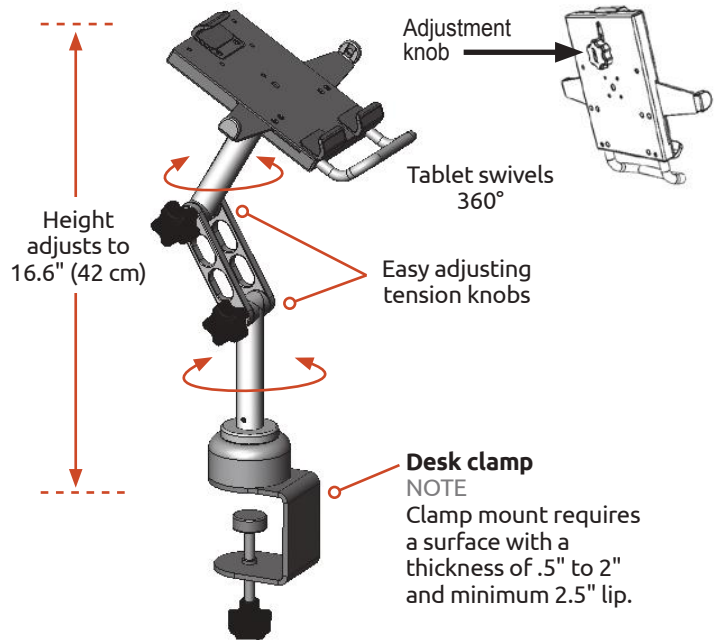
Requires custom ICW key for tablet removal.



MODEL: **TABCC**

Clamp Mount

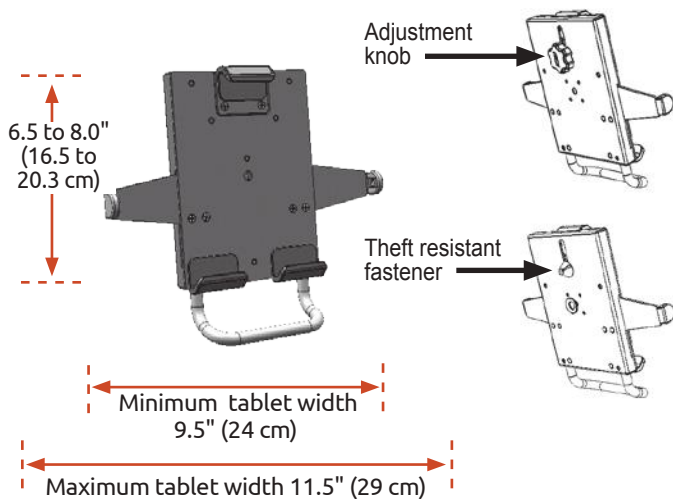
Tablet secures to plate with adjustment knob.
Does not include theft resistant fastener.



MODEL: **TABV**

Tablet Mount Plate with 100mm VESA compatibility

Does not include stand. Includes both adjustment knob and theft resistant fastener.



- Tablet mount folds compactly.
- Extends to a fully vertical position.
- Height adjusts to 16.6" (42 cm).
- Rotates 330° at both joints and swivels 360°.
- Adjusts to any viewing angle.



ICWUSA.com, Inc.
1487 Kingsley Drive
Medford, OR 97504
800-558-4435

Available in these 5 standard colors and 9 custom colors.

