



TITAN ELITE WALL MOUNT INSTALLATION

ICWUSA.com, Inc.

If you have any questions please call Toll Free 1-800-558-4435

▶ **MAXIMUM LOAD CAPACITY:**
28 LBS (12.7 KG)

IMPORTANT

DO NOT use power tools to assemble or adjust the arm. Use hand tools ONLY.

DANGER!

The Elite arm contains high pressure gas springs. The following cautions MUST be observed to avoid serious injury.

- **Do not** attempt to adjust the arm until all components are mounted (monitor, keyboard, etc.)
- **Arm must be completely horizontal** (extended) before adjusting the arm's tension. Failure to do so will damage the arm and void the warranty.
- **NEVER loosen or remove any of the shoulder bolts.** Doing so will cause the arm to immediately come apart with tremendous force, and could cause serious injury.
- If equipment requiring AC power is mounted to this unit, have a certified electrician inspect the installation.
- Failure to install this unit according to these instructions will void all ICW warranties. If installed incorrectly, ICW is not liable for any damage or injury caused by the unit.

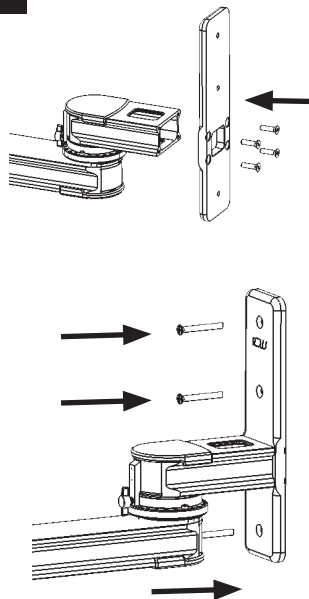
Wall Mount

MOUNT WALL EAR & PLATE

Using the 3/16 hex key provided, attach wall plate to ear with four 1/4-20 screws provided.

Locate stud and mark top hole, drill 11/64 pilot hole and insert #14 screw and tighten slightly. Using a level, mark lower holes and drill pilot holes. Insert #14 screws and, with unit level, tighten all screws.

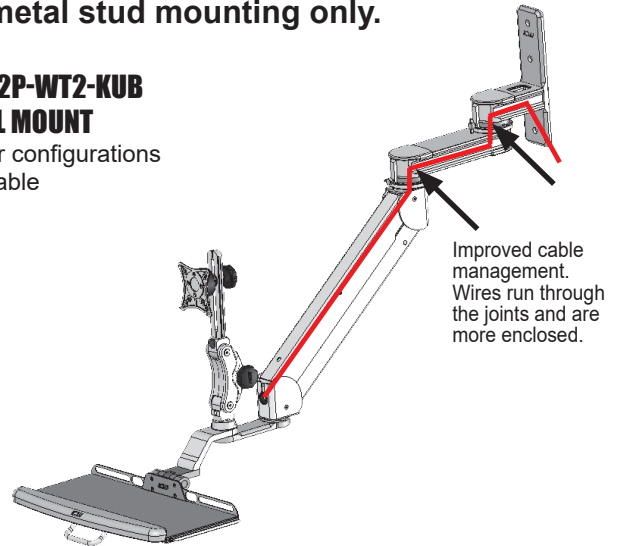
NOTE: ICW supplies #14 wood screws. If installing onto metal studs, you will need to replace with proper metal stud fasteners.



ICW recommends wood or metal stud mounting only.

T2E12P-WT2-KUB WALL MOUNT

Other configurations available



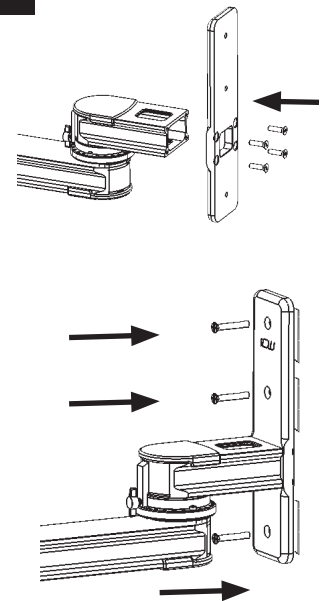
Wall Track Mount

MOUNT WALL EAR & PLATE

Using the 3/16 hex key provided, attach wall plate to ear with four 1/4-20 screws provided.

Attach track adapters

Attach track adapters to back of wall ear by threading 1/4 x 20 flat head socket head screws from front of wall ear into track adapters. Attach loosely with 5/32" hex key.



MOUNT TO WALL TRACK

Attach wall track to wall using installation instructions provided with track.

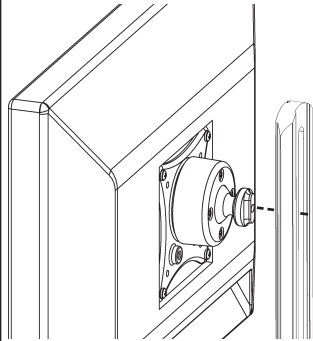
Attach wall plate to track

Slide track adapters into track from either top or bottom. Position wall ear to desired location on track. Firmly tighten wall ear screws with 5/32" hex key.

TITAN ELITE WALL MOUNT INSTALLATION

Attach & Adjust Monitor

ATTACH VESA



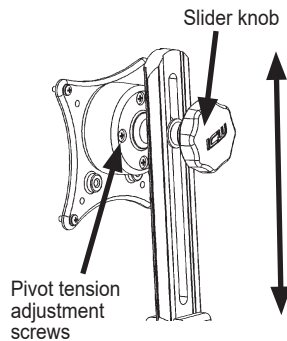
Attach VESA to monitor using four M4 screws in the hardware bag.

Mount the VESA assembly by screwing the knob through the rail into the VESA.

ADJUST BALL VESA TENSION & HEIGHT

Use the slider knob to loosen the slider to adjust the height of the monitor on the Paralink.

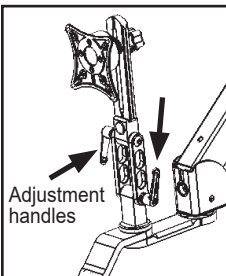
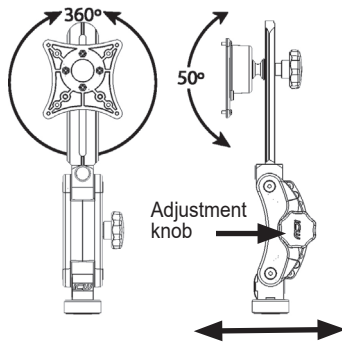
Adjust the pivot tension of the ball by gently and evenly tightening or loosening the four screws on the back of the ball VESA.



MONITOR TILT, ROTATION & ADJUST MONITOR DEPTH

MONITOR TILT & ROTATE

Gently hold sides of monitor. Tilt and rotate to desired position with ball VESA.

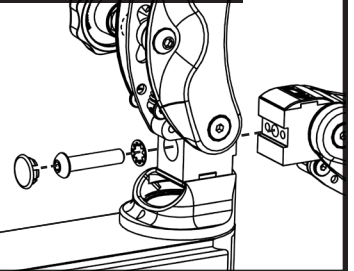


ADJUST MONITOR DEPTH FOR PARALINK: Loosen adjustment knob, move Paralink forward or back, then re-tighten the knob.
FOR 110 MONITOR MOUNT: Loosen adjustment handles, move to desired position and retighten handles.

Attach Keyboard Tray

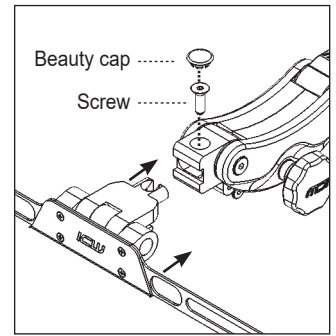
ATTACH PARALINK KEYBOARD TO MONITOR

Attach the Paralink Keyboard Mount to the Monitor Mount by using the 3/8-16 screw and lock washer provided.



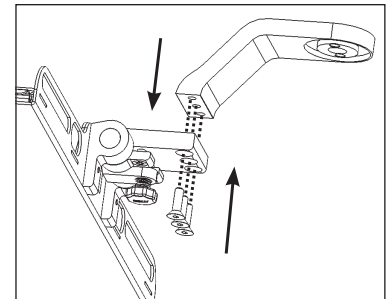
ATTACH KEYBOARD TO PARALINK

- Remove beauty cap on Paralink.
- Remove screw using 3/16" hex key.
- Slide keyboard tray into Paralink.
- Replace screw and tighten.
- Replace beauty cap.



ATTACH FLIP UP KEYBOARD

- Remove screws from drop extension using 5/32" hex key.
- Align holes in keyboard tray with screw holes in drop extension.
- Attach keyboard tray using the provided screws.



Torque Chart- In/lbs 2/23/2016

Minimum torque values			Monitor Mount		
Arm	Base Mount	Arm Joint	Paralink	EV710	Ultra
Elite	120	-	120	-	120
T2Elite	120	120	120	-	120
Titan (T2)	120	120	120	-	120
Ultra	120	120	120	85	120
UL180 / UL182	120	120	-	85	-
MD Arm	140	-	120	-	120

TITAN ELITE WALL MOUNT INSTALLATION

Cord Management - Wall Mount

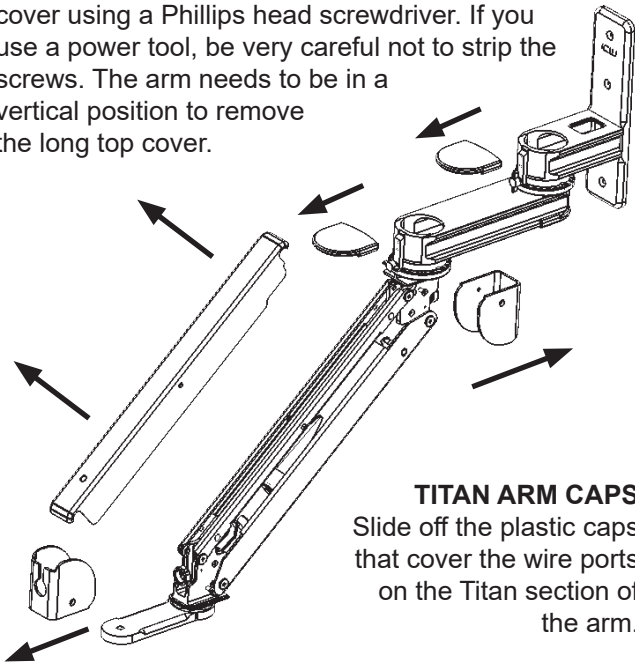
REMOVE ELITE ARM COVERS & TITAN ARM CAPS

END COVERS

Remove the end covers by unscrewing the two 3/4" long 10-24 flathead screws using a Phillips head screwdriver.

TOP COVER

Remove the long arm cover by unscrewing the two 1/4" long 6-32 flathead screws in the center of the cover using a Phillips head screwdriver. If you use a power tool, be very careful not to strip the screws. The arm needs to be in a vertical position to remove the long top cover.



TITAN ARM CAPS

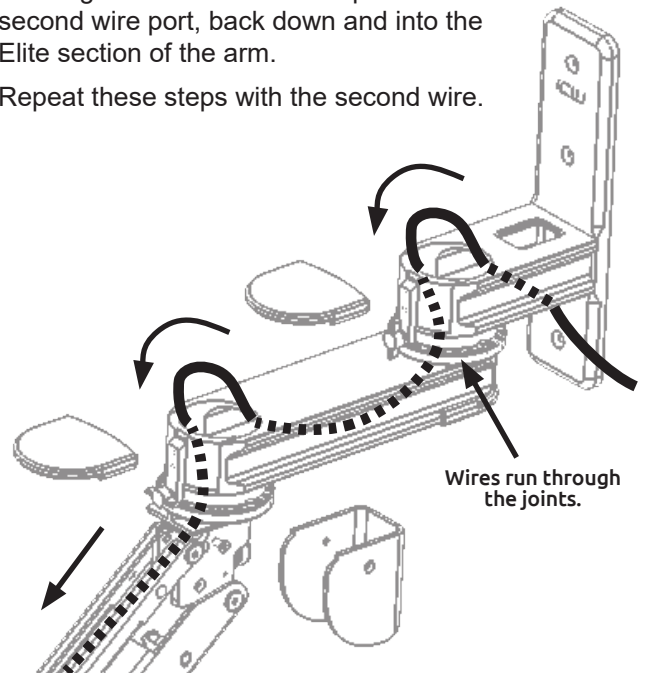
Slide off the plastic caps that cover the wire ports on the Titan section of the arm.

FEED WIRE THROUGH TITAN ARM

Pull wires one at a time through the arm. Feed the largest wire first, allowing enough slack so the arm turns freely.

Feed the first wire through the wall ear and out of the first wire port. Feed the wire back down through the first wire port and through the Titan arm segment. Feed the wire up and out of the second wire port, back down and into the Elite section of the arm.

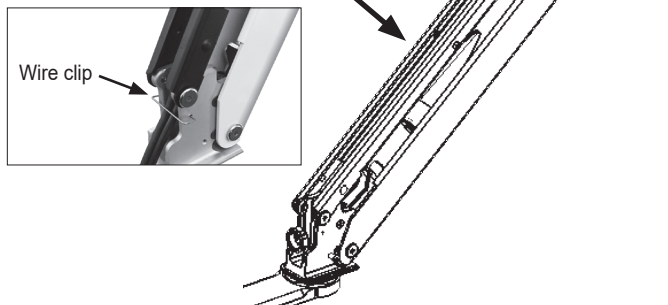
Repeat these steps with the second wire.



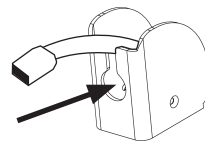
PRESS WIRES INTO CHANNEL OF ELITE ARM SECTION

After feeding the wires through the Titan (upper) section of the arm, press them into the channels of the Elite (lower) section.

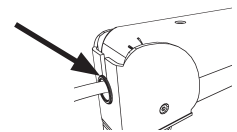
Use wire clips to secure them. Be sure wires don't bind and the arm moves freely.



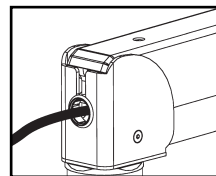
REPLACE ARM COVERS



Before reattaching arm covers, slip wires through black plastic bushing around exiting end cover port.



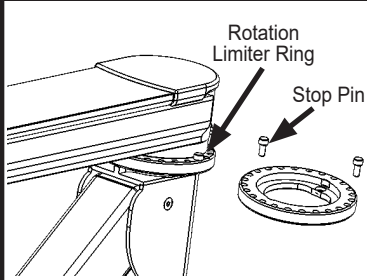
Reattach black plastic bushing around exiting wires.



Replace covers on the Elite section of the arm. **DO NOT** use a power tool to replace screws.

TITAN ELITE WALL MOUNT INSTALLATION

ADJUST ROTATION STOPS



Rotation limits for the arm are set by placing stop pins in the holes where you want the arm to stop. The stop pins can be removed and set by hand.

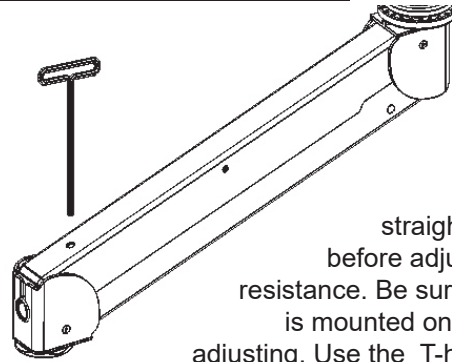
CLEANING OF THE ICW MOUNTING DEVICE

When cleaning your ICW mounting unit please follow the points below. Proper cleaning of the mounting device will help assure proper function and extend the life of the unit.

1. Any general cleaner is acceptable except degreasers are not recommended near the bearing entrances.
2. Spray cleaner or water on a soft cloth or paper towel and then wipe down the mounts.
3. Do not spray directly at the bearing seams (located at all swivel points) as this could reduce the life of the bearings.

NOTICE: ICWUSA.COM, Inc. provides the appropriate hardware fasteners to match the majority if not all standard monitors and devices. It is the responsibility of the installer / integrator to ensure that the screws and fasteners have the adequate thread engagement. The rule of thumb is that the thread depth is greater than the diameter of the hole or 4 full turns of 360 degrees of thread engagement. It is also the responsibility of the installer / integrator to ensure that they do not damage the monitor or device by using a screw or fastener that is too long for hole and therefore damaging the unit by inserting too far.

ADJUST ARM RESISTANCE



Extend the arm straight out as shown before adjusting the arm's resistance. Be sure all equipment is mounted on the arm before adjusting. Use the T-handle provided to adjust the arm's resistance.

DO NOT USE POWER TOOLS TO ADJUST.