



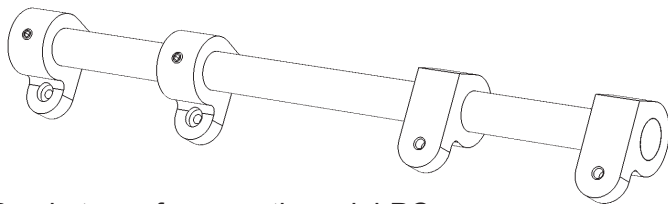
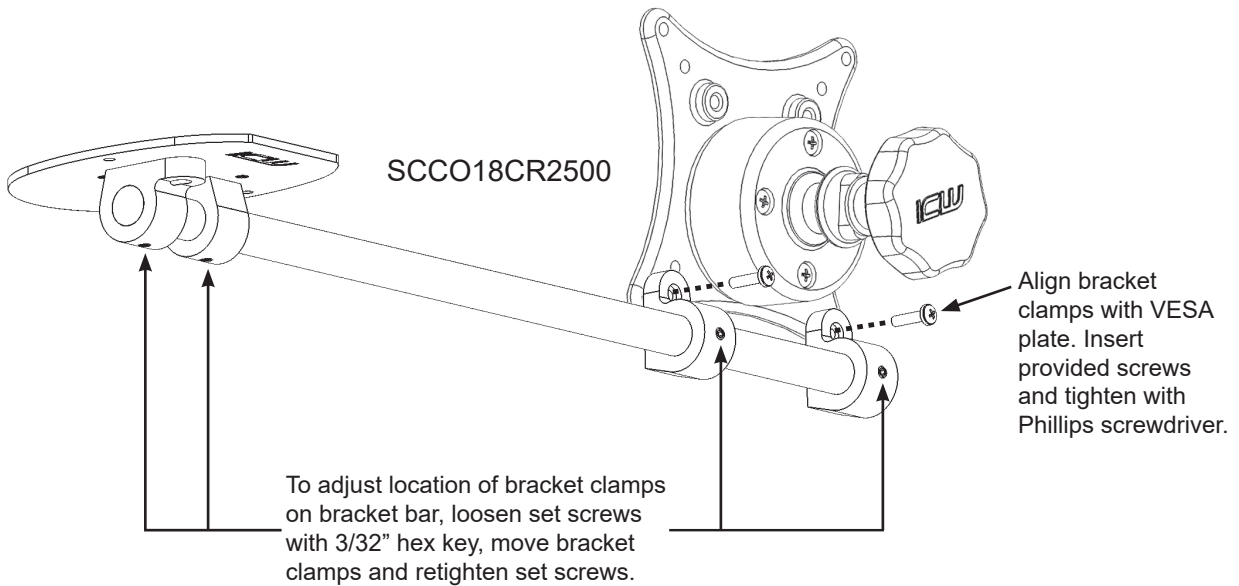
# SCANNER BRACKET INSTALLATION

ICWUSA.com, Inc.

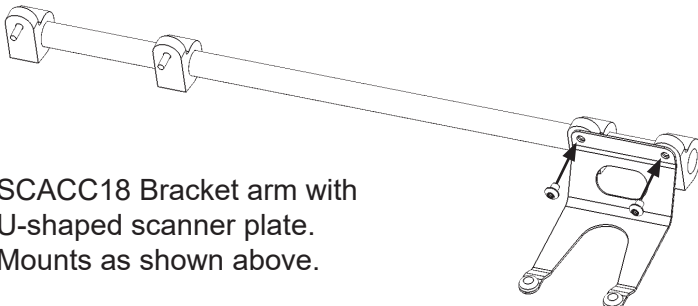
If you have any questions, please call 1-800-558-4435

## Behind-the-monitor scanner bracket SCACC18 SCCO18CR2500, SCACCCPU1225

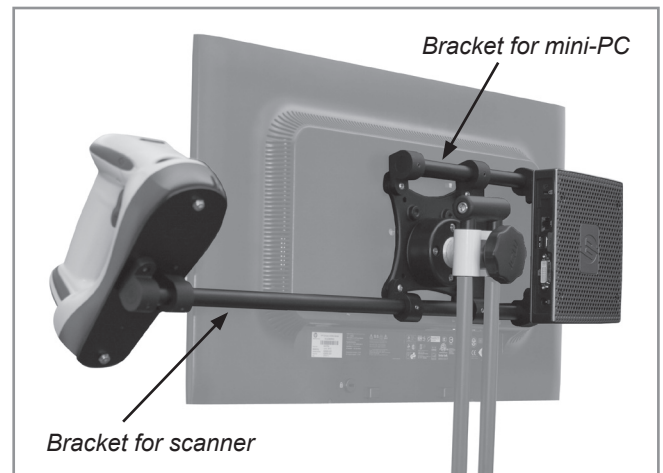
- Bracket bar lengths: 12", 18", 25"
- Scanner plates vary in size, shape and required fasteners



Bracket arm for mounting mini-PC.  
Mounts to VESA plate as shown above.



SCACC18 Bracket arm with  
U-shaped scanner plate.  
Mounts as shown above.



SCACCCPU1225 Two bracket arms can be  
mounted on one VESA plate as shown above.



# SCANNER BRACKET INSTALLATION

ICWUSA.com, Inc.

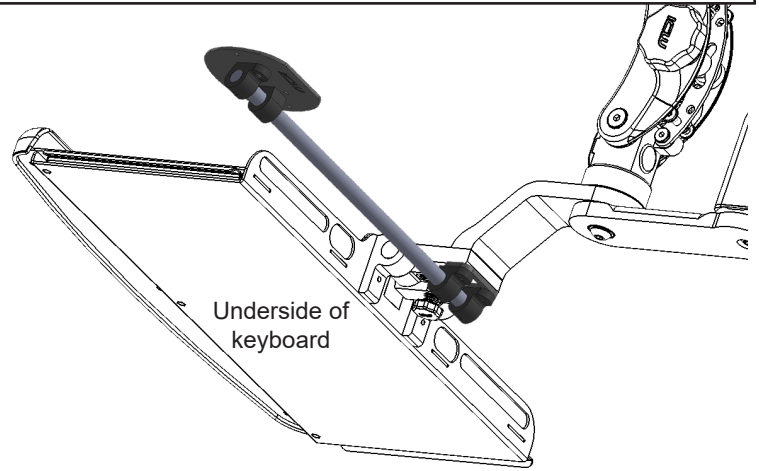
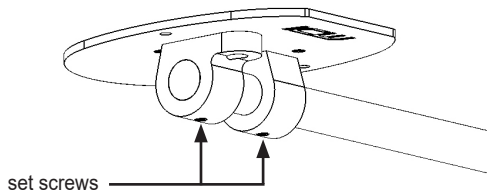
If you have any questions, please call 1-800-558-4435

## Behind-the-keyboard scanner bracket SCH015X1920

- Bracket bar length: 15"
- Scanner plates vary in size, shape and required fasteners

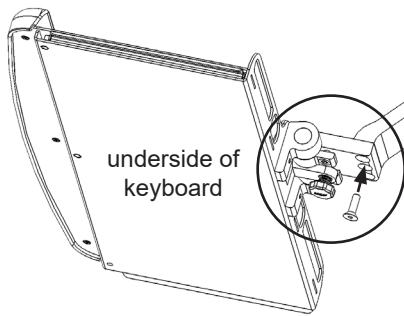
### ADJUST LOCATION OF BRACKET CLAMPS

- To adjust location of bracket clamps on bracket bar, loosen set screws with 3/32" hex key, move bracket clamps and retighten set screws.



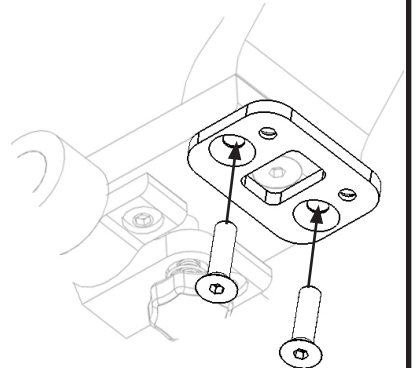
### ATTACH KEYBOARD TO DROP MOUNT

- Align mounting holes on the keyboard with those on keyboard drop mount. Insert middle screw only and loosely tighten with provided 5/32" hex key.



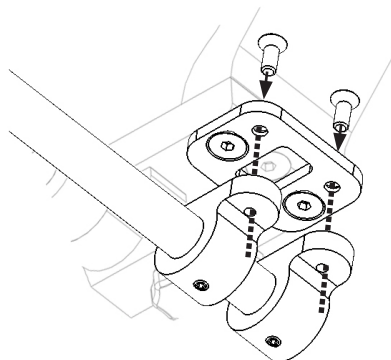
### ATTACH BRACKET MOUNTING PLATE

- Attach bracket mounting plate using provided 1/4-20x1" flathead screws. Tighten all three screws with 5/32" hex key.



### ATTACH SCAN BRACKET TO KEYBOARD

- Align screw holes in bracket clamps with holes in mounting plate. Insert provided 10-24x1/2" flathead screws from above the plate. Tighten with 1/8" hex key.





# SCANNER BRACKET INSTALLATION

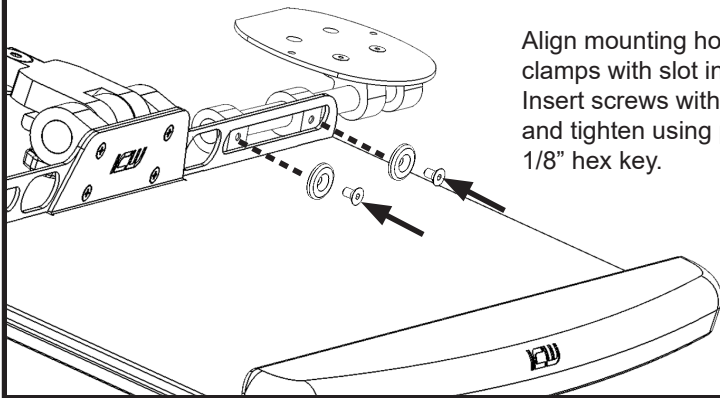
ICWUSA.com, Inc.

If you have any questions, please call 1-800-558-4435

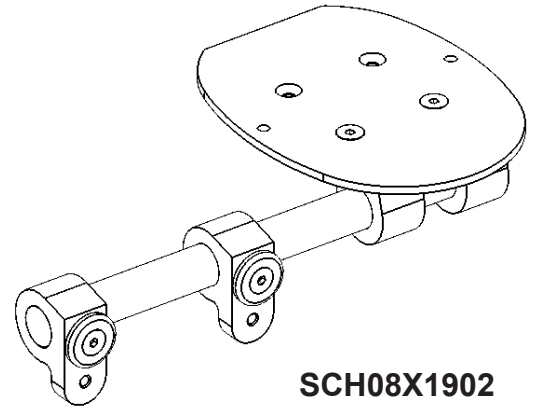
## Behind-the-keyboard scanner bracket SCH08X1902

- Bracket bar length: 8"
- Scanner plates for Honeywell bracket plate

### ATTACH BRACKET MOUNT TO KEYBOARD



Align mounting holes in clamps with slot in keyboard. Insert screws with Loctite and tighten using provided 1/8" hex key.



SCH08X1902

### CLEANING OF THE ICW MOUNTING DEVICE

When cleaning your ICW mounting unit please follow the points below. Proper cleaning of the mounting device will help assure proper function and extend the life of the unit.

1. Any general cleaner is acceptable except degreasers are not recommended near the bearing entrances.
2. Spray cleaner or water on a soft cloth or paper towel and then wipe down the mounts.
3. Do not spray directly at the bearing seams (located at all swivel points) as this could reduce the life of the bearings.

NOTICE: ICWUSA.COM, Inc. provides the appropriate hardware fasteners to match the majority if not all standard monitors and devices. It is the responsibility of the installer / integrator to ensure that the screws and fasteners have the adequate thread engagement. The rule of thumb is that the thread depth is greater than the diameter of the hole or 4 full turns of 360 degrees of thread engagement. It is also the responsibility of the installer / integrator to ensure that they do not damage the monitor or device by using a screw or fastener that is too long for hole and therefore damaging the unit by inserting too far.