

Worksurface tray, keyboard tray and mouse tray in one compact, streamlined unit



- Use worksurface with stowed keyboard
- Use extended keyboard tray and worksurface together
- Use keyboard with worksurface flipped up
- Both worksurface and keyboard tray flip up to stow compactly
- Mounts to most ICW arms



Range of Motion Video

Need a custom solution? Contact your ICW Rep for more information.

Width **18.5" (47 cm)**
 Extended Depth **17.5" (44.5 cm)**
 Swivel **180°**

Load capacity: 28 lbs (12.7 kg)
Worksurface dimensions: 18.5" x 10" (47 x 25.4 cm)
Keyboard retracted depth: 13" (33 cm)
Keyboard extended depth: 17.5" (44.5 cm)
Stowed depth without arm: 4" (10 cm)
Swivel: 180°

Designed for convenience

- Slim profile worksurface has generous area for charting, scanning and mousing.
- Keyboard tray easily adjusts to positive tilt, negative tilt and neutral position.
- Slide-out mouse tray on both left and right sides of keyboard tray.
- Rotates independently from mounting arm.
- Powder coated for durability in your choice of five color options.

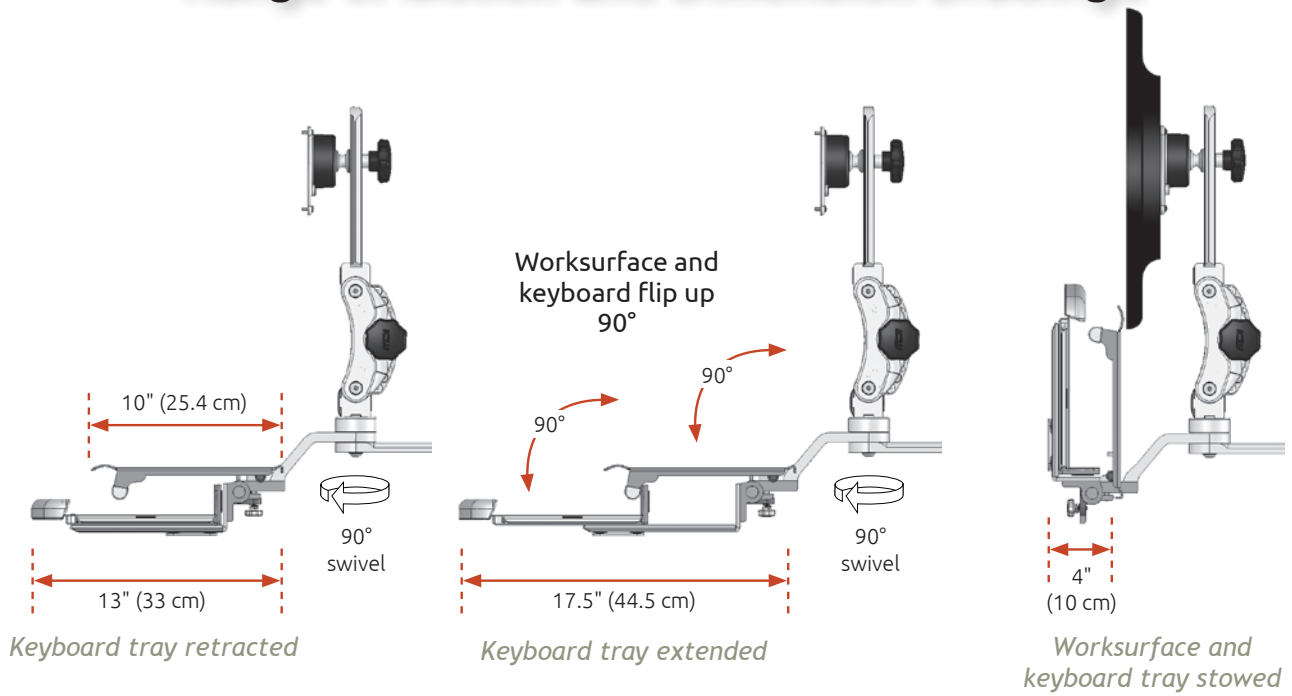
Select a color

Specify one of our durable powder coating finishes with your order:

Gloss White (MW), Writable Black (WB), A-dec Tan (T), Pelton Putty (P), and Quartz Gray (QG)



Range of Motion and Dimension Drawings



INDEPENDENT KEYBOARD TRAY TILTS WHILE WORKSURFACE REMAINS LEVEL

