



ELITE 5220 & 5216 INSTALLATION

ICWUSA.com, Inc.

If you have any questions please call Toll Free 1-800-558-4435

► **MAXIMUM LOAD CAPACITY:**
28 LBS (12.7 KG)

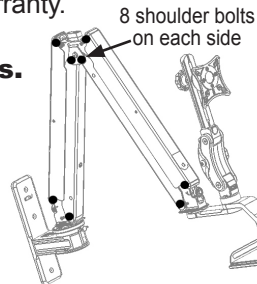
IMPORTANT

DO NOT use power tools to assemble or adjust the arm. Use hand tools ONLY.

CAUTION!

The Elite arm contains high pressure gas springs. The following cautions MUST be observed to avoid serious injury.

- **Do not** attempt to adjust the Elite arm until all components are mounted (monitor, keyboard, etc.)
- **Arm must be completely horizontal** (extended) before adjusting the arm's tension. Failure to do so will damage the arm and void the warranty.
- **NEVER loosen or remove any of the 16 shoulder bolts.** Doing so will cause the arm to immediately come apart with tremendous force, and could cause serious injury.
- If equipment requiring AC power is mounted to this unit, have a certified electrician inspect the installation.
- Failure to install this unit according to these instructions will void all ICW warranties. If installed incorrectly, ICW is not liable for any damage or injury caused by the unit.

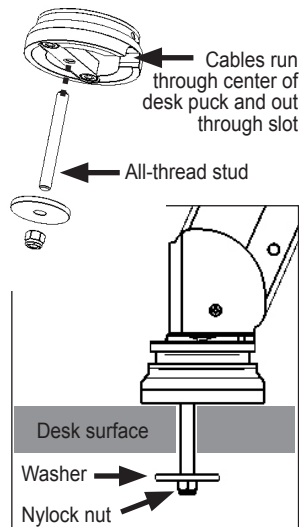


If Mounting To A Desk

ATTACH TO DESK

Drill a 3/8 hole through the horizontal mounting surface. Screw the 3/8 all-thread stud into offset hole in desk mount. The stud is found in the hardware bag.

Push the 3/8 stud on desk mount through the hole the desk. Slide large mounting washer over the stud from underneath and secure in place with the 3/8 nylock nut. Run cables through center of desk puck.

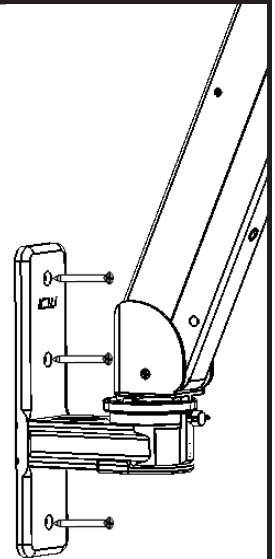


MOUNT TO WALL

- Locate stud and mark top hole.
- Drill 11/64 pilot hole and insert #14 screw and tighten slightly.
- Using a level, mark lower holes and drill pilot holes.
- Insert #14 screws and, with unit level, tighten all screws.

ICW supplies #14 wood screws. If installing onto metal studs, you will need to replace with proper metal stud fasteners.

To tighten center screw, additional tools may be helpful (not provided). Provided screws will accept a 90° bent Phillips or square bit nut driver on a short socket wrench.



MOUNT TO WALL TRACK

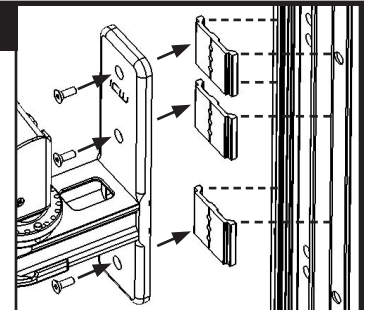
Attach wall track to wall using installation instructions provided with track.

Attach track adapters

Attach track adapters to back of wall ear by threading socket head screws from front of wall ear into track adapters. Loosely tighten with 5/32" hex key.

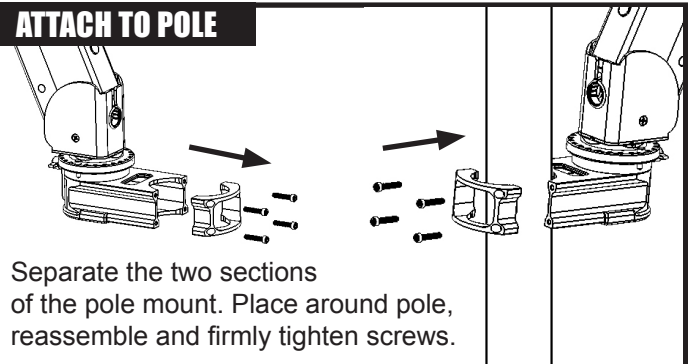
Attach wall plate to track

Slide track adapters into track from either top or bottom. Position wall ear to desired location on track. Firmly tighten wall ear screws with 5/32" hex key.



If Mounting To A Pole

ATTACH TO POLE

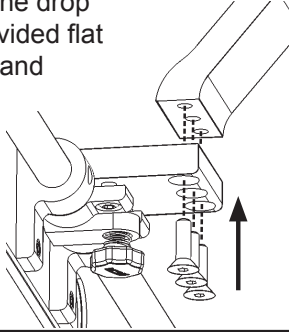


Separate the two sections of the pole mount. Place around pole, reassemble and firmly tighten screws.

ELITE 5220 & 5216 INSTALLATION

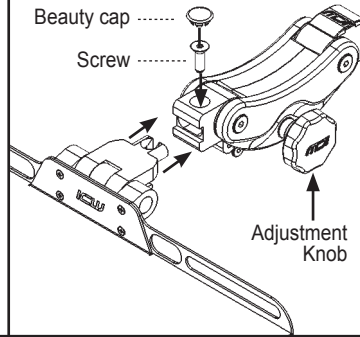
ATTACH FLIP-UP TO DROP

Attach the tray flip-up assembly to the drop using the provided flat head screws and hex key.



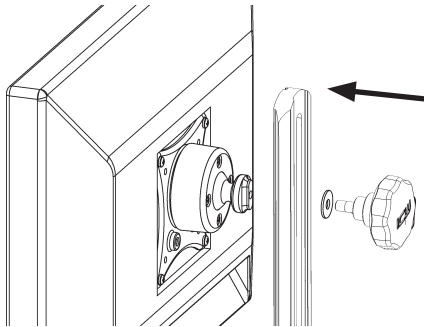
ATTACH PARALINK KEYBOARD TRAY

- Remove beauty cap on Paralink.
- Remove screw using 3/16" hex key.
- Slide keyboard tray into Paralink.
- Replace screw and tighten.
- Replace beauty cap.
- Loosen knob, adjust Paralink to desired position, then tighten knob.



ATTACH VESA

Attach VESA to monitor using four 4mm screws in the hardware bag. Mount the VESA assembly by screwing the knob through the rail into the VESA.

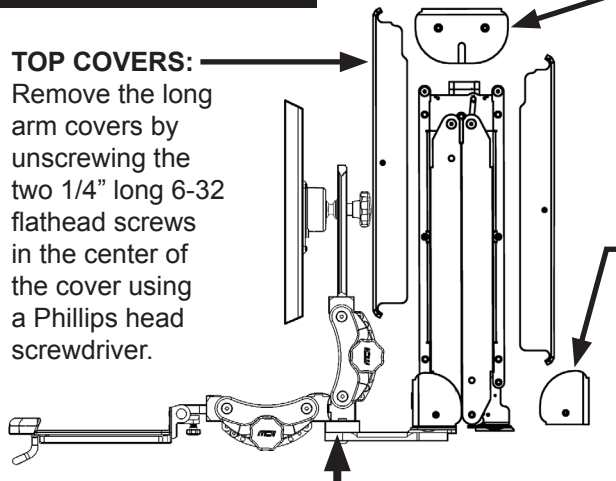


REMOVE ARM COVERS

TOP COVERS: Remove the long arm covers by unscrewing the two 1/4" long 6-32 flathead screws in the center of the cover using a Phillips head screwdriver.

CENTER COVER: Remove the center cover by unscrewing the four 3/4" long 10-24 flathead screws using a Phillips head screwdriver.

END COVERS: Remove the end covers by unscrewing the two 3/4" long 10-24 flathead screws using a Phillips head screwdriver.

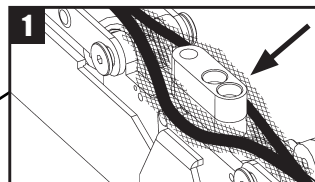


TORQUE 120 INCH POUNDS. DO NOT LOOSEN.

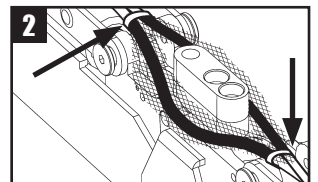
MANAGE CABLES THROUGH ARM

Extend the arm straight out and lay all the cables for monitor, keyboard and mouse in the channel on top of the arms.

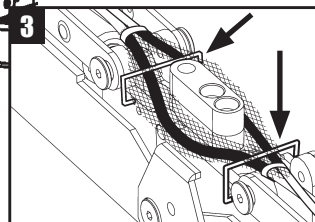
NOTE: YOU MUST LEAVE SOME SLACK IN THE CABLES TO ALLOW FOR ARM MOVEMENT.



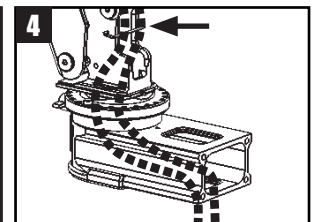
Lay cables evenly around adjuster with wire loom on each side.



Wire tie cables around adjuster, securing the cords and the wire loom. Leave some slack.



Add provided wire clips, weaving through wire loom to secure cables.



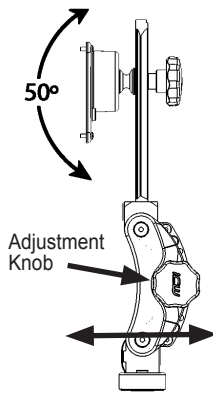
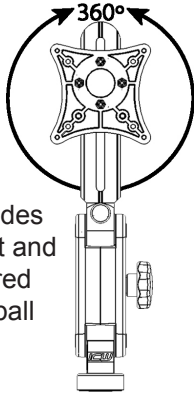
Add wire clip to end of arm. Run cables through opening in center of wall ear.

ELITE 5220 & 5216 INSTALLATION

MONITOR TILT, ROTATION & ADJUST MONITOR DEPTH

MONITOR TILT & ROTATE

Gently hold sides of monitor. Tilt and rotate to desired position with ball VESA.

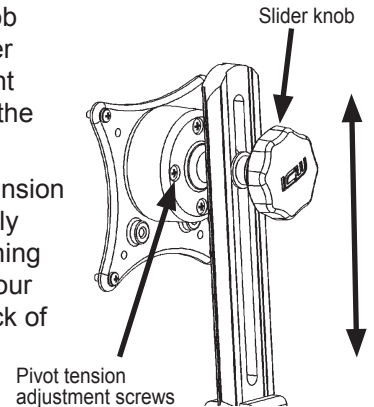


ADJUST MONITOR DEPTH
Loosen the adjustment knob, move the Paralink forward or back, then re-tighten the knob.

ADJUST BALL VESA TENSION & HEIGHT

Use the slider knob to loosen the slider to adjust the height of the monitor on the Paralink.

Adjust the pivot tension of the ball by gently and evenly tightening or loosening the four screws on the back of the ball VESA.



REATTACH ARM COVERS

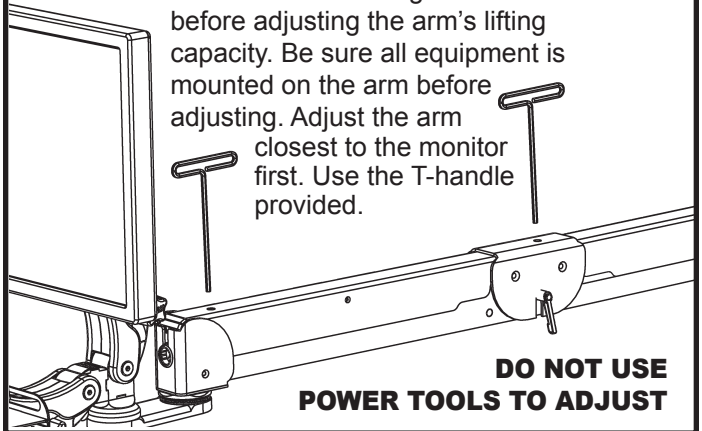
TOP COVERS: Reattach by replacing the two 6-32 x 1/4" flathead screws in the center of the cover using a Phillips head screwdriver.

CENTER COVER: Reattach by replacing the four 10-24 x 3/4" flathead screws using a Phillips head screwdriver.

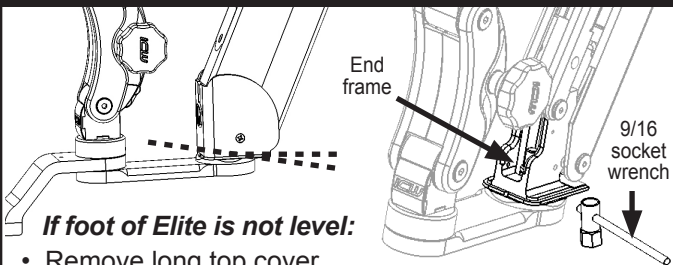
END COVERS: Reattach by replacing the two 10-24 x 3/4" flathead screws using a Phillips head screwdriver.

ADJUST ARM LIFTING CAPACITY

Extend the arm straight out as shown before adjusting the arm's lifting capacity. Be sure all equipment is mounted on the arm before adjusting. Adjust the arm closest to the monitor first. Use the T-handle provided.

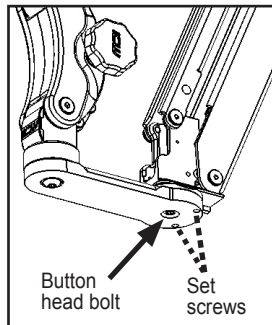


ADJUST HORIZONTAL TILT ANGLE



If foot of Elite is not level:

- Remove long top cover and front end cover.
- Insert 9/16 socket wrench over nut in end frame.
- From beneath arm, slightly loosen center bolt with provided hex key.
- Tighten set screws with hex key until foot is level, then **retighten center bolt**. Check for level. Repeat if necessary. If center bolt is not retightened, the Elite foot could come loose.
- Replace arm covers.



ADJUST ROTATION LIMITS - WALL MOUNT

The rotation limits for the arm are set by placing the stop pins in the holes corresponding to where you want the arm to stop. The stop pin then bumps into the stop block on the front of the wall mount ear, stopping the arm. The stop pins can be removed and set by hand.

