

Elite Single Arm

PRODUCT SHEET

ELP5120-WT-KUB

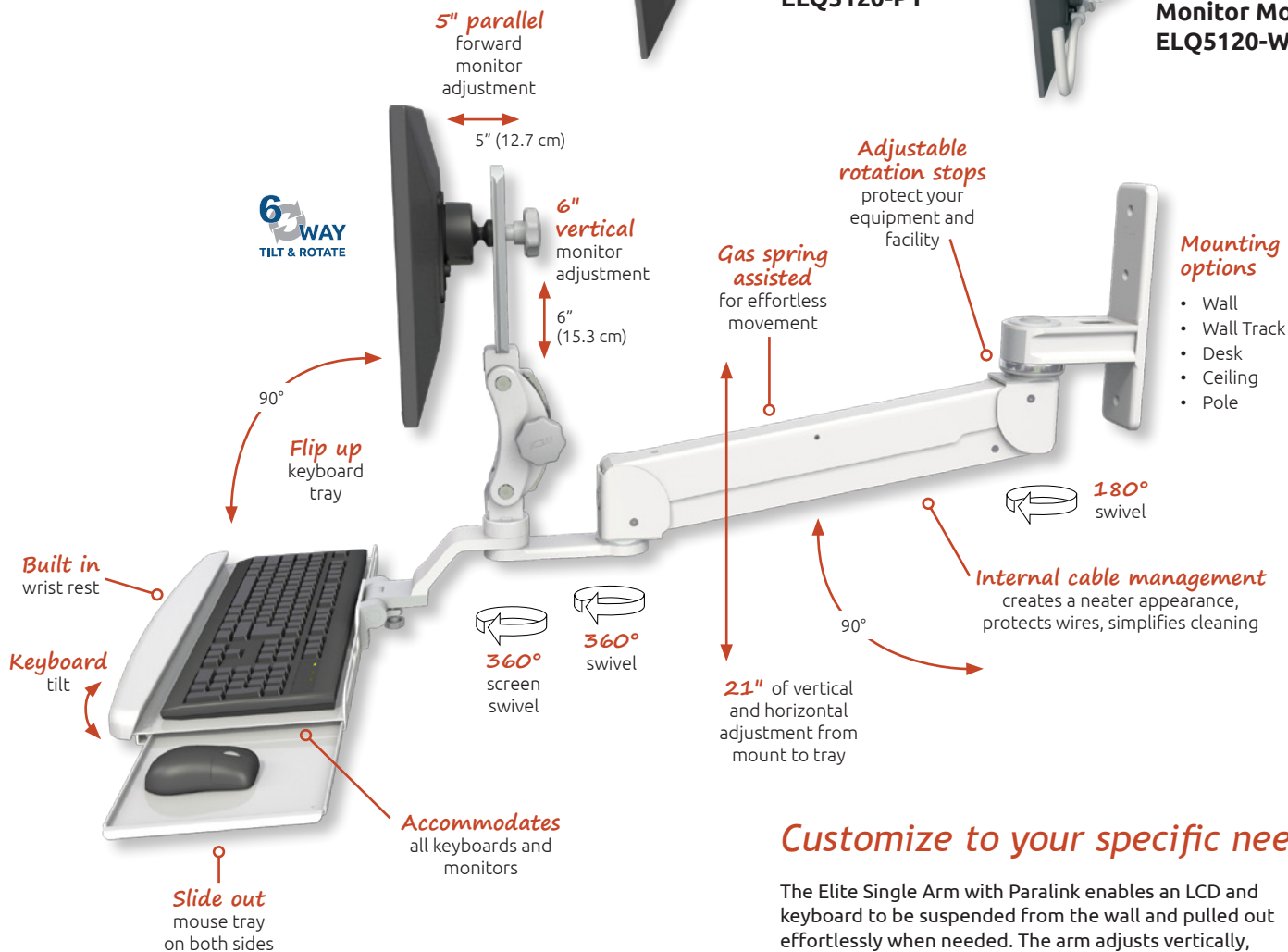
Enjoy effortless movement and optimum viewing angle



Elite Single Arm Pole Mount
ELQ5120-PT



Elite Single Arm Monitor Mount
ELQ5120-WT



Customize to your specific needs

The Elite Single Arm with Paralink enables an LCD and keyboard to be suspended from the wall and pulled out effortlessly when needed. The arm adjusts vertically, horizontally and rotates 180° so you can position it exactly where you want it. Supporting up to 28 lbs (12.7 kg), the Elite is fully cable managed, gas spring assisted, and provides up to 21" of vertical and horizontal adjustment from mount to monitor, along with 180° of rotation.

- Accommodates all keyboards and monitors
- Engineered for years of reliable service and quiet operation
- Powder coated and anodized for long wear and easy cleaning

| | | | |
|-----------------|-------------|------------|---------------|
| | | | |
| VERTICAL ADJUST | SCREEN TILT | ARM SWIVEL | SCREEN SWIVEL |
| 21" (53.3 cm) | 180° | 360° | 360° |

Load capacity: 28 lbs (12.7 kg) LCD only, 22 lbs (9.9 kg) LCD and keyboard
Vert. adjustment range: 21" (53.3 cm)
Maximum reach: 33.6" (85.3 cm) LCD only, 43.75" (111 cm) LCD and keyboard
Stowed depth: 11.2" (28.5 cm)
Arm swivel at mount: 360°
Screen swivel: 360°
Screen tilt: 180°
VESA interface: 75 mm and 100 mm
Monitor, keyboard and mouse not included.

Need a custom solution? Contact your ICW Rep for more information.

Range of Motion Video

Select a color

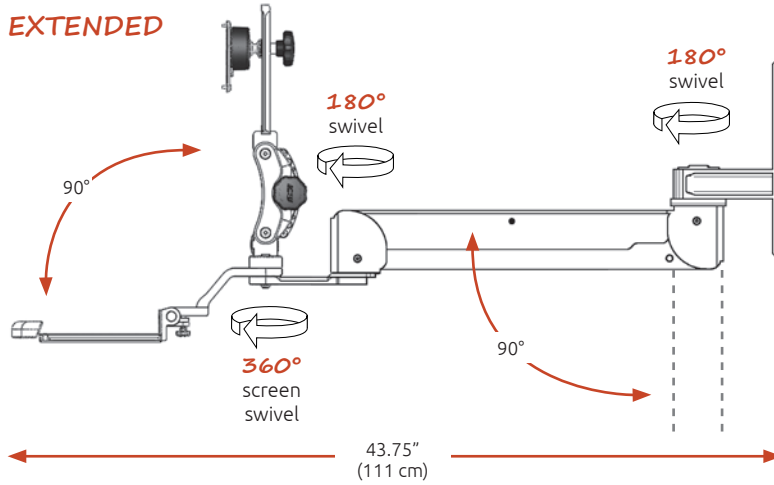
Specify one of our durable powder coating finishes with your order:
 Gloss White (MW), Writable Black (WB), A-dec Tan (T), Pelton Putty (P), and Quartz Gray (QG)



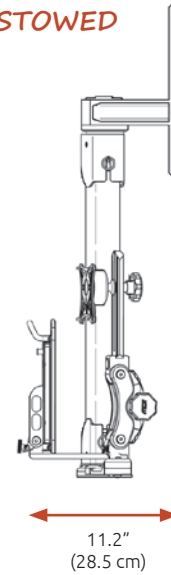
Range of Motion and Dimension Drawings

ELP5120-WT-KUB

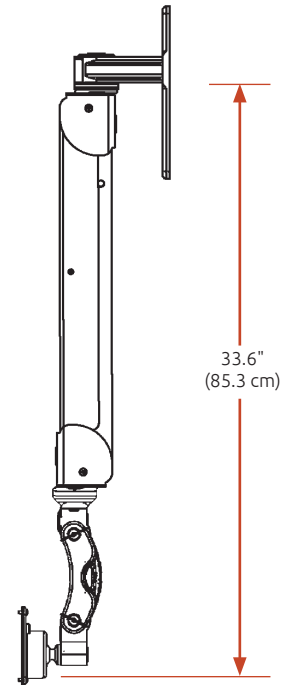
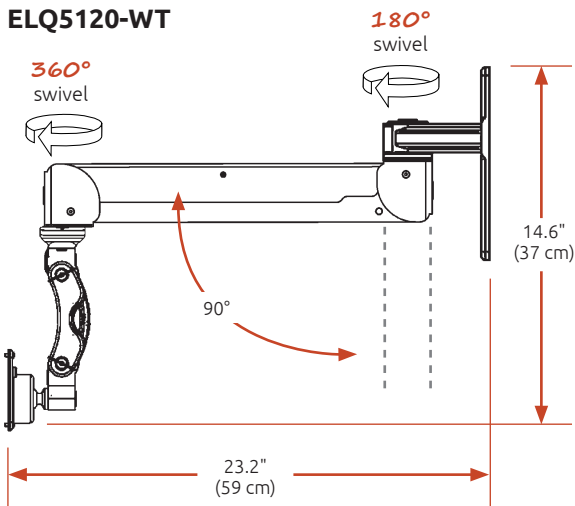
EXTENDED



STOWED



ELQ5120-WT



ACCESSORIES



Barcode scanner holder



Mouse holder