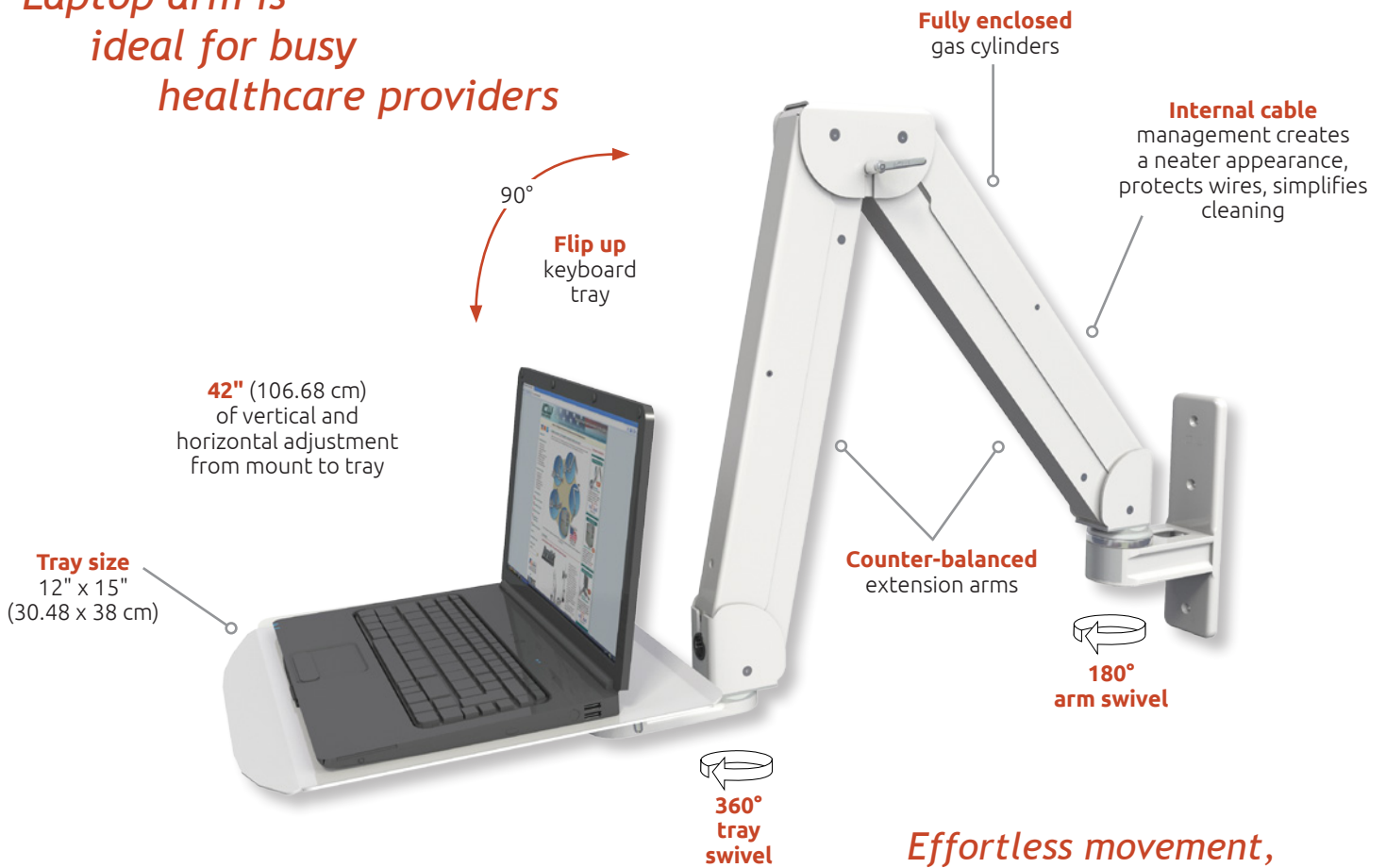


EL5220LT-WT

Laptop arm is ideal for busy healthcare providers



Effortless movement, quiet operation

- The Double Arm Elite with Laptop Tray supports up to 28 lbs (12.7 kg) while providing effortless movement.
- Ideal in medical operating rooms or dental operatories, this arm provides up to 42" of vertical and horizontal adjustment from mount to tray, along with 180° of rotation.
- The Elite arm is fully cable managed and gas spring assisted.
- Machined from billet aluminum, the unit has hardened alloy shoulder bolts and Teflon bushings. It's engineered for years of reliable service and quiet operation.

Laptop not included

Vertical Adjust	Maximum Reach	Arm Swivel	Tray Swivel
42" (106.68 cm)	65" (165 cm)	180°	360°

- Load capacity: 28 lbs (12.7 kg)
- Maximum reach: 65" (165 cm)
- Vert. adjustment range: 42" (106.68 cm)
- Maximum reach: 65" (165 cm)
- Arm swivel at mount: 180°
- Tray swivel: 360°
- Tray size: 12" x 15"
- VESA interface: 75 mm and 100 mm

*Need a custom solution?
Contact your ICW Rep
for more information.*

Range of Motion Video



Select a color

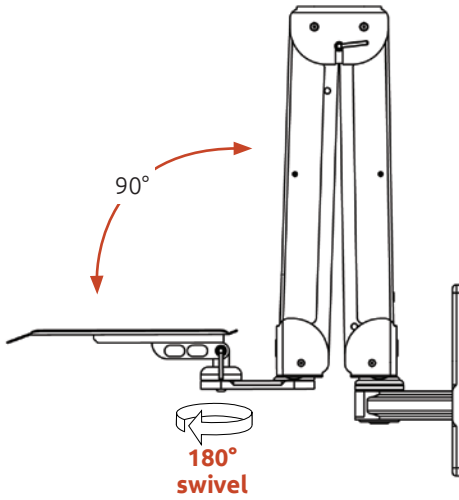
Specify one of our durable powder coating finishes with your order:

Gloss White (MW), Writable Black (WB), A-dec Tan (T), Pelton Putty (P), and Quartz Gray (QG)

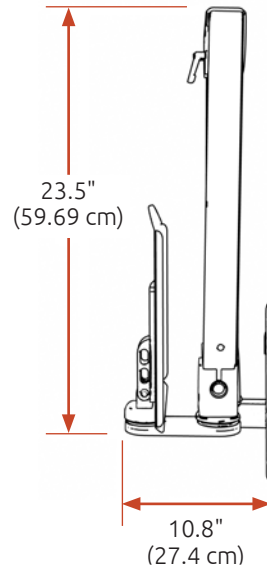


Range of Motion and Dimensional Drawings

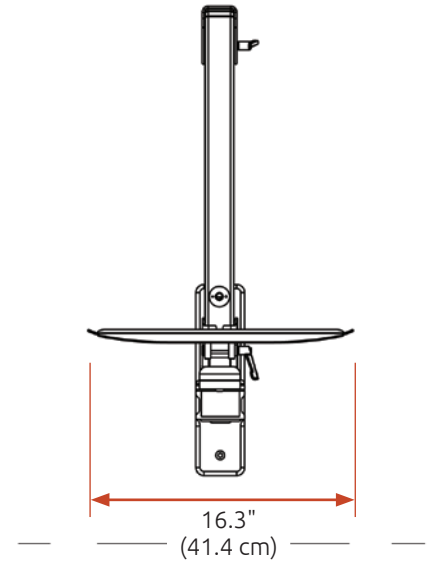
KEYBOARD RANGE OF MOTION



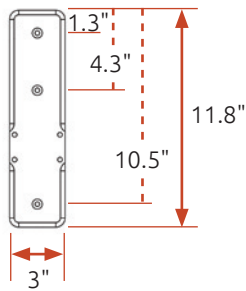
SIDE FOLDED



FRONT FOLDED



WALL PLATE



SIDE EXTENDED

