

*Securely suspend your computer*

*Available in 5 sizes*



**CPU-5**  
5" (12.7cm) to 7" (17.78cm) wide;  
10.75" (27.3cm) to 18.25" (46.36cm) in height

**CPU-MINI-T**  
1.0" (2.54cm) to 2.2" (5.59cm) wide;  
8.03" (20.4cm) to 12.93" (32.84cm) in height



**CPU-MINI**  
1.86" (4.72cm) to 3.2" (8.13cm) wide;  
8.03" (20.4cm) to 12.93" (32.84cm) in height



**CPU-2.8**  
2.8" (7.11cm) to 5" (12.7cm) wide;  
10.75" (27.3cm) to 18.25" (46.36cm) in height



**CPU-7**  
7" (17.78cm) to 11" (27.94cm) wide;  
10.75" (27.3cm) to 18.25" (46.36cm) in height



(Computer not included)

### Highlights

- Secures computer on four sides
- Load capacity 45 lbs. (20.4 kg)
- Saves desk and floor space
- Keyhole wall plate for easy installation
- Includes security set screw
- Rubber pads insulate your computer from static

### Save desk and floor space

Safely suspend your computer off the floor and extend its life with this computer CPU wall mount.

This mount fastens your computer in a frame that wraps around all four sides, securing it tightly to a wall or desk. The CPU mount has a keyhole wall plate which makes it easy to remove for regular maintenance. Models are available that fit from 1" up to 11" wide and 8.03" to 18.25" in height.

Machined from billet aluminum, the unit is powder coated for a durable, lasting finish. Hand assembly ensures that a quality product is shipped to you.

### Select a color

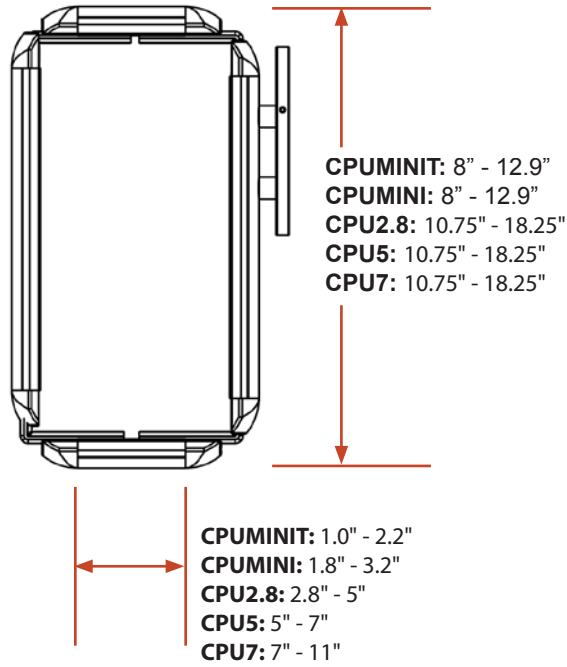
Specify one of our durable powder coating finishes with your order:

Gloss White (MW), Writable Black (TB), A-dec Tan (T), Pelton Putty (P), and Quartz Gray (QG)

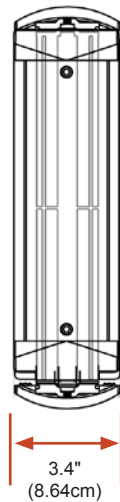


# Dimension Drawings

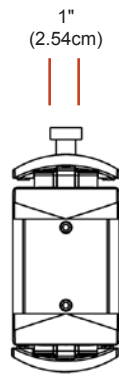
SIDE VIEW



FRONT VIEW



TOP VIEW



WALL MOUNT BRACKET

