

Mount Arm to Track

When mounting to studs, ICW recommends using only wood or metal studs. This is the basic method to mount the arm on a stud. Check building code regulations in your area for additional requirements.

MD TRACK – ALSO USED FOR TITAN ARM

FOR WOOD STUD

Center mounting option

Locate the wall stud and mark the top center hole of the wall track. Drill a 11/64 pilot hole, insert a #14 screw and tighten slightly. Using a level, mark the lower holes in the center of the track, drill pilot holes and then insert the #14 screws. Use all screws.

Right or left mounting option

- Locate the wall stud. Align either right or left side of track with stud and mark one hole in the upper corner for track placement. Drill 11/64" pilot hole. Insert #14 screw and tighten slightly.
- Using a level, mark the remaining holes on the same side, drill pilot holes into stud. Insert #14 screws and, with the unit level, tighten screws.
- Insert provided Snap Toggles into outer corner holes on opposite side.

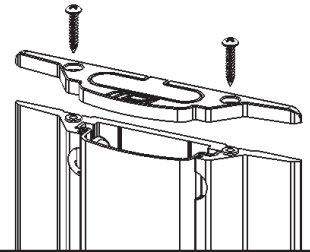
FOR METAL STUD

#14 **wood** screws are supplied with unit. If installing into **metal studs** you will need to replace these with proper metal stud fasteners or provided snap toggles. All hardware used to secure track mount must have a proper countersunk head.

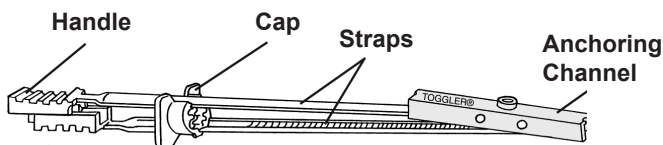
▶ **MAXIMUM
LOAD 28 LBS
(12.7 KG)**

ATTACH BEAUTY CAP

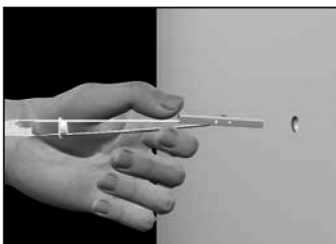
After track installation is complete, attach the beauty cap using a Phillips screwdriver.



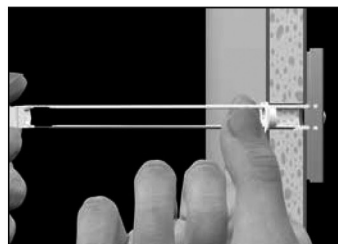
Snap Toggle Instructions



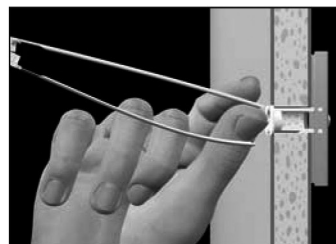
The plastic straps and cap washer are positioning and retention elements only. They do not otherwise function as anchoring elements. Holding is dependent only on a metal bolt to metal channel connection. The SnapToggle anchor complies with all existing fire codes for critical applications.



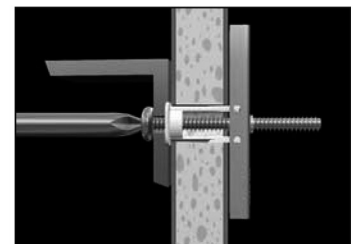
Drill 1/2" hole. Hold metal channel flat alongside plastic straps and slide channel through the hole. Minimum clearance behind wall is 1-7/8"



Hold ends of straps together between thumb and fore-finger and pull toward you until channel rests behind wall. Ratchet cap along straps with other hand until flange of cap is flush with wall.



Place thumb between straps at wall. Push thumb side to side, snapping off straps level with flange of cap.



Place track over flange. Insert provided bolt and tighten until snug against track, then stop.

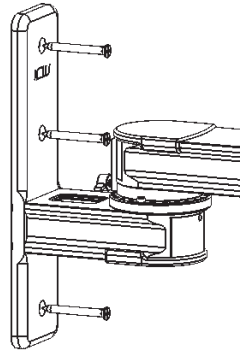
TITAN 2020 EASY-TO-WIRE INSTALLATION

Mount Arm to Wall, Pole or Desk

IF USING WALL MOUNT

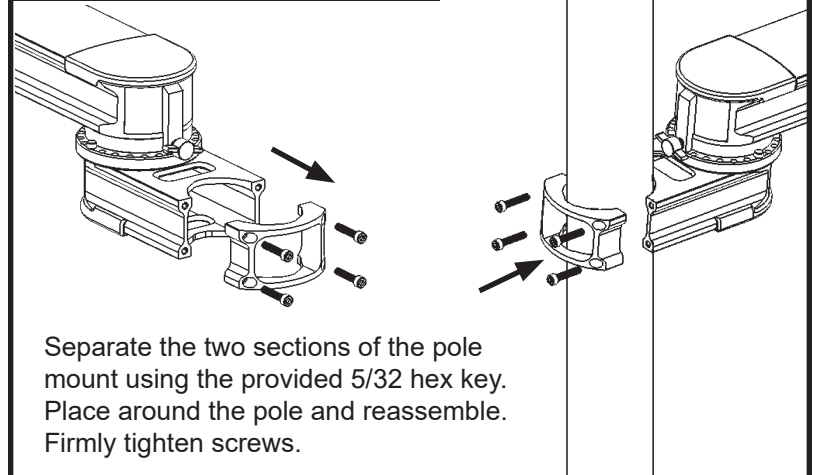
ATTACH WALL PLATE TO WALL

Locate stud and mark top hole, drill 11/64 pilot hole and insert #14 screw and tighten slightly. Using a level, mark lower hole and drill pilot hole, insert #14 screw and, with unit level, tighten both screws. Insert and tighten middle screw. ICW supplies #14 wood screws. If installing onto metal studs, you will need to replace with proper metal stud fasteners.



IF USING POLE MOUNT

ATTACH POLE MOUNT TO POLE

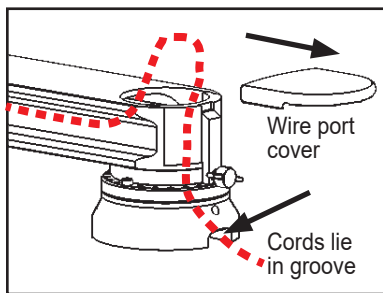


Separate the two sections of the pole mount using the provided 5/32 hex key. Place around the pole and reassemble. Firmly tighten screws.

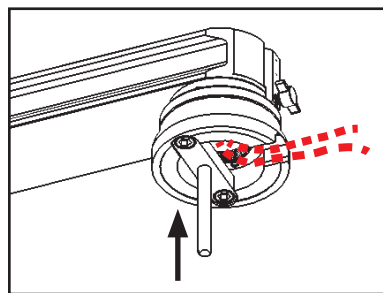
IF USING DESK MOUNT

ATTACH DESK MOUNT TO DESK

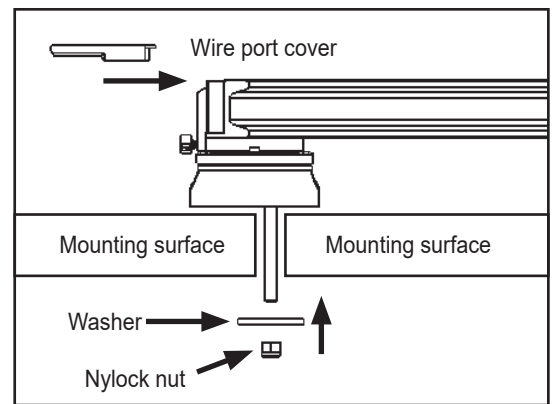
Please follow cord management instructions before securing desk mount to surface.



Slide off wire port cover. Feed cords through the arm, bearing and rotation limiter, then through the groove in the desk mount.



Screw 3/8" All Thread bolt into center hole in bar at base of desk mount. The bolt is included in the hardware bag.



Drill a 3/8 hole through the horizontal mounting surface. Push the All Thread bolt and desk mount assembly through the hole in the horizontal surface. Slide washer over the bolt from underneath and secure in place with the 3/8 nylock nut. Replace wire port cover.

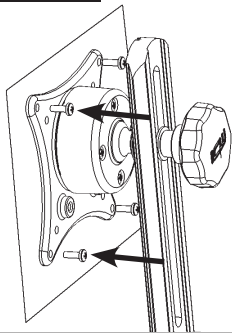
Desk Mount Part Number	Stud Length	Maximum Desk Thickness
D0	3.50"	2.47"
D1	3.50"	1.87"
D3	5.50"	1.87"
D5	7.50"	1.87"
D7	10.50"	2.38"

TITAN 2020 EASY-TO-WIRE INSTALLATION

Mount the Monitor

ATTACH VESA TO MONITOR (PARALINK)

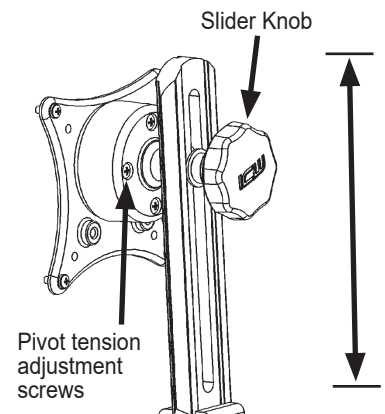
Attach VESA to monitor using four 4mm screws in the hardware bag.



ADJUST BALL VESA TENSION & HEIGHT

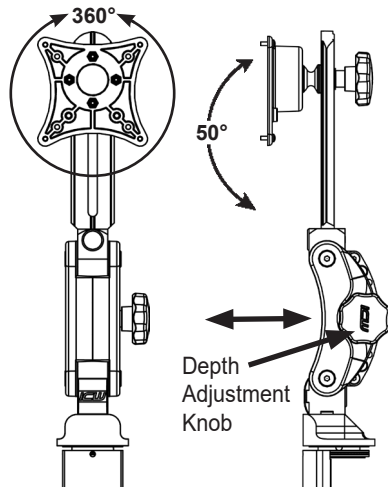
Use the slider knob to loosen the slider to adjust the height of the monitor on the Paralink.

Adjust the pivot tension of the ball by gently and evenly tightening or loosening the 4 screws on the back of the ball VESA.

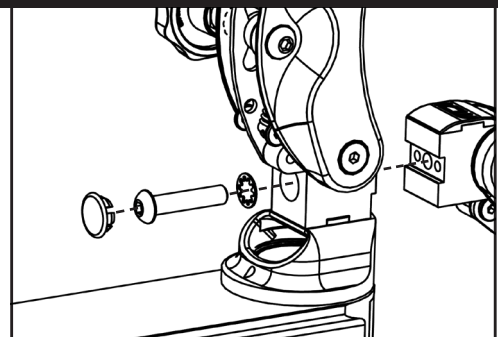


ADJUST PARALINK TILT

Adjust monitor to desired position with ball VESA. Tilt monitor 50° in any direction. Adjust monitor between portrait and landscape by rotating ball VESA. Adjust monitor depth by moving the paralink forward or back then tightening the depth adjustment knob.



ATTACH PARALINK KEYBOARD TO MONITOR



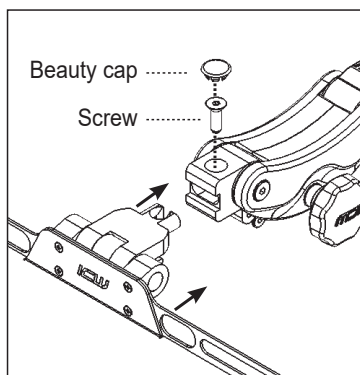
Attach the paralink keyboard mount to the monitor mount by using the 3/8-16 screw and lock washer provided.

Attach Keyboard Tray

IF ATTACHING TO PARALINK

ATTACH PARALINK

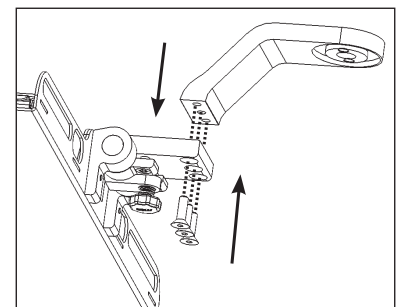
- Remove beauty cap on Paralink.
- Remove screw using 3/16" hex key.
- Slide keyboard tray into Paralink.
- Replace screw and tighten.
- Replace beauty cap.



IF ATTACHING TO ULTRA FLIP-UP

ATTACH FLIP UP

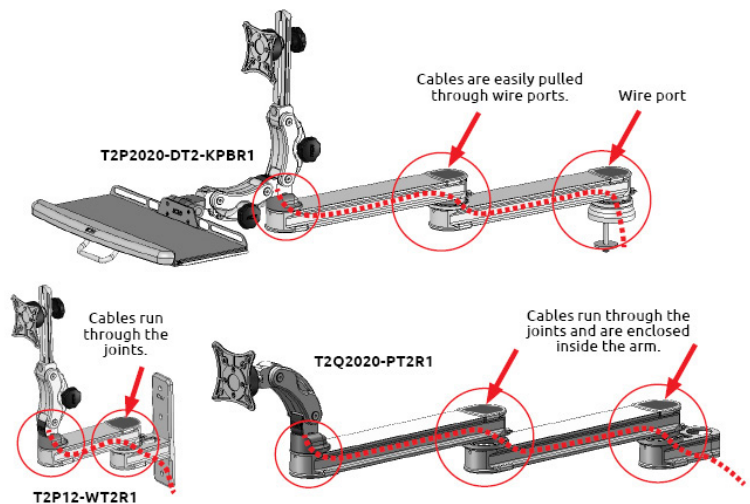
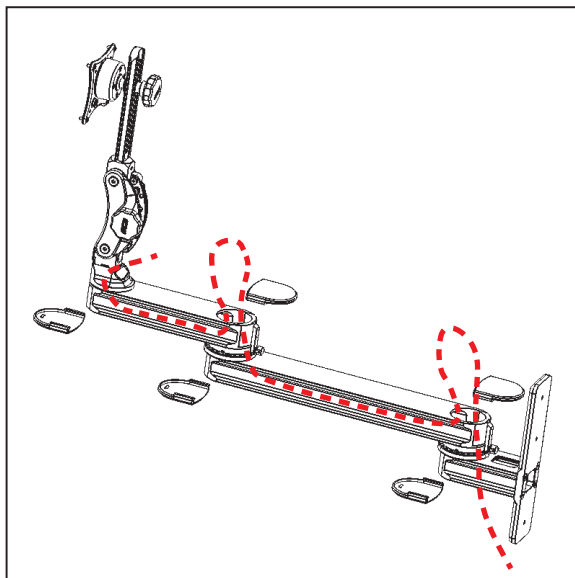
- Remove screws from drop extension using 5/32" hex key.
- Align holes in keyboard tray with screw holes in drop extension.
- Attach keyboard tray using the provided screws.



TITAN 2020 EASY-TO-WIRE INSTALLATION

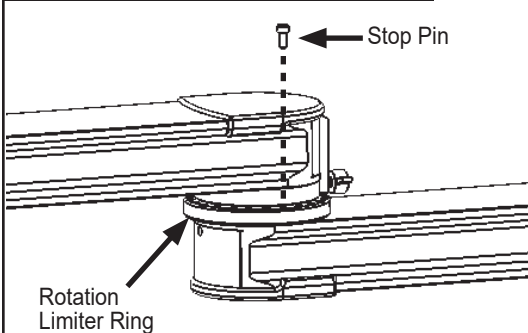
Cable Management

MANAGE CABLES THROUGH ARM

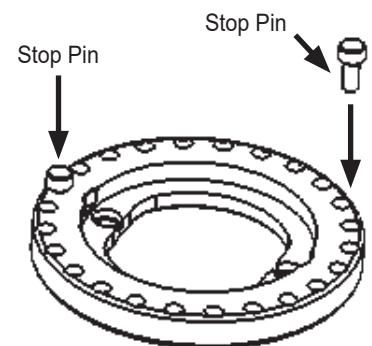


- Slide off wire port covers to provide access for cables.
 - Pull cables one at a time through the arm. Feed the largest cable first, allowing enough slack so the arm turns freely.
 - Feed the first cable through the wall ear and up through the first joint and out of the first wire port.
 - Feed the cable back down through the wire port and through the Titan arm.
 - Pull the cable up through the second wire port, then feed back down and through the second Titan arm.
 - Pull the cable through the wire port at the third joint.
 - Repeat these steps with the other cables.
 - Replace wire port covers.
- NOTE:** CORDS CAN BE DAMAGED IF JOINTS ARE ROTATED MORE THAN 360°.

ADJUST ROTATION LIMITS



The rotation limits for the arm are set by placing a stop pin in the hole corresponding to where the arm should stop. The stop pin then bumps into the stop screw under the arm segment, stopping the arm. The stop pins can be removed and set by hand.



CLEANING OF THE ICW MOUNTING DEVICE

When cleaning your ICW mounting unit please follow the points below. Proper cleaning of the mounting device will help assure proper function and extend the life of the unit.

1. Any general cleaner is acceptable except degreasers are not recommended near the bearing entrances.
2. Spray cleaner or water on a soft cloth or paper towel and then wipe down the mounts.
3. Do not spray directly at the bearing seams (located at all swivel points) as this could reduce the life of the bearings.

NOTICE: ICWUSA.COM, Inc. provides the appropriate hardware fasteners to match the majority if not all standard monitors and devices. It is the responsibility of the installer / integrator to ensure that the screws and fasteners have the adequate thread engagement. The rule of thumb is that the thread depth is greater than the diameter of the hole or 4 full turns of 360 degrees of thread engagement. It is also the responsibility of the installer / integrator to ensure that they do not damage the monitor or device by using a screw or fastener that is too long for hole and therefore damaging the unit by inserting too far.