



TABLET MOUNT INSTALLATION

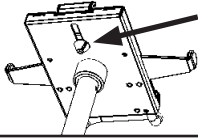
ICWUSA.com, Inc.

If you have any questions please call Toll Free 1-800-558-4435

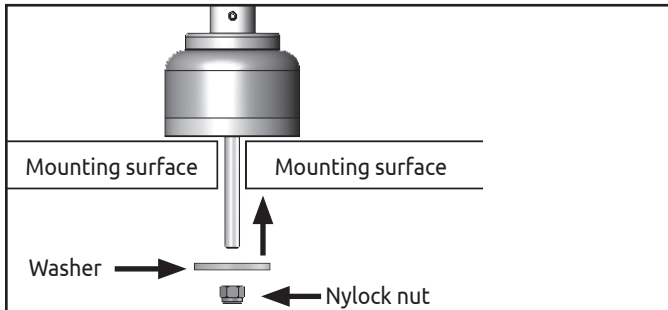
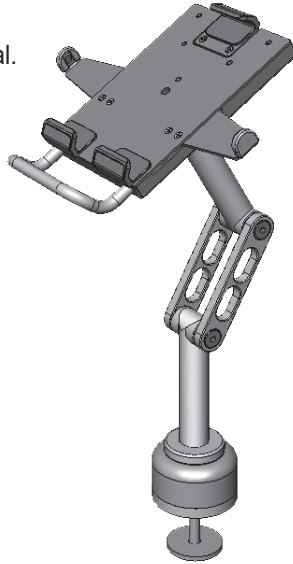
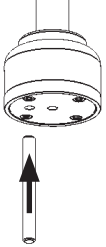
TABSDM: DESK MOUNT

Requires ICW key for tablet removal.

Secure tablet to tablet tray using provided key.



Screw 3/8 All Thread bolt into offset hole in base of desk mount. The bolt is included in the hardware bag.



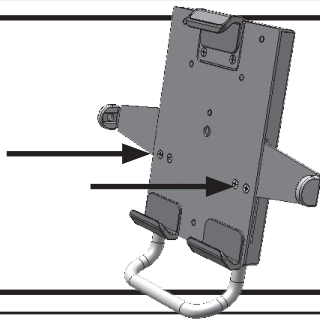
Drill a 3/8 hole through the horizontal mounting surface. Push the All Thread bolt on desk mount assembly through the hole in the horizontal surface.

Desk Mount Part Number	Stud Length	Maximum Desk Thickness
D0	3.50"	2.47"
D1	3.50"	1.87"
D3	5.50"	1.87"
D5	7.50"	1.87"
D7	10.50"	2.38"

Slide large mounting washer over the bolt from underneath and secure in place with 3/8 nylock nut.

ALL MODELS

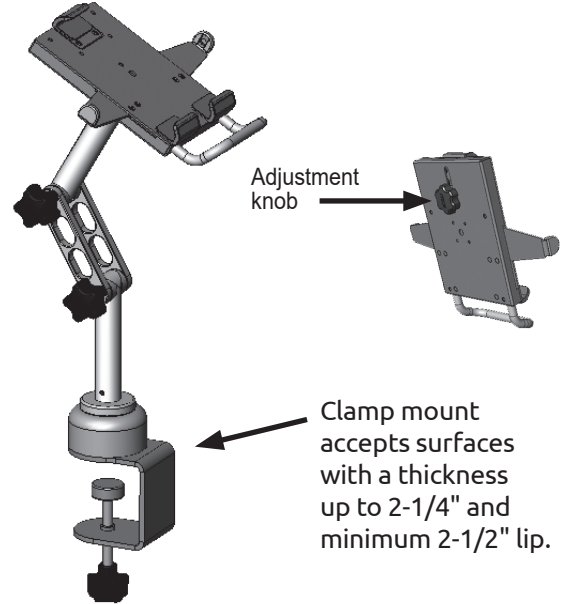
To adjust tray for wider tablets, remove 4 screws, slide wings to desired position and replace screws.



NOTICE: ICWUSA.COM, Inc. provides the appropriate hardware fasteners to match the majority if not all standard monitors and devices. It is the responsibility of the installer / integrator to ensure that the screws and fasteners have the adequate thread engagement. The rule of thumb is that the thread depth is greater than the diameter of the hole or 4 full turns of 360 degrees of thread engagement. It is also the responsibility of the installer / integrator to ensure that they do not damage the monitor or device by using a screw or fastener that is too long for hole and therefore damaging the unit by inserting too far.

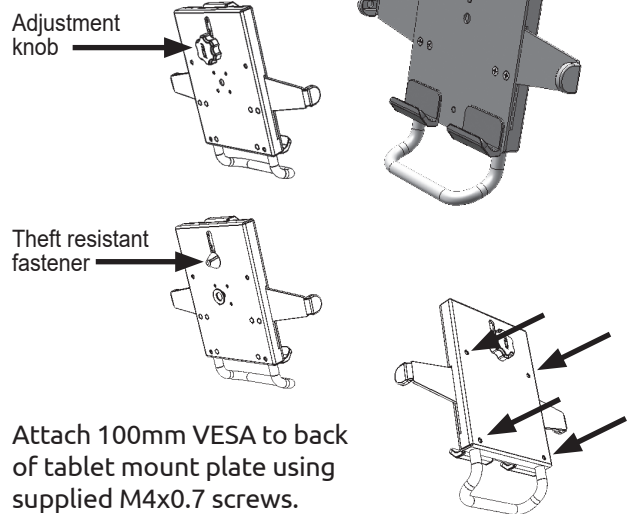
TABCC: CLAMP MOUNT

Tablet secures to plate with adjustment knob. Does not include theft resistant fastener.



TABV: TABLET PLATE

Does not include stand. Includes both adjustment knob and theft resistant fastener.



CLEANING OF THE ICW MOUNTING DEVICE

When cleaning your ICW mounting unit please follow the points below. Proper cleaning of the mounting device will help assure proper function and extend the life of the unit.

1. Any general cleaner is acceptable except degreasers are not recommended near the bearing entrances.
2. Spray cleaner or water on a soft cloth or paper towel and then wipe down the mounts.
3. Do not spray directly at the bearing seams (located at all swivel points) as this could reduce the life of the bearings.