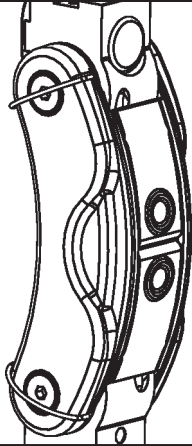


ICW QUICKLINK INSTRUCTIONS

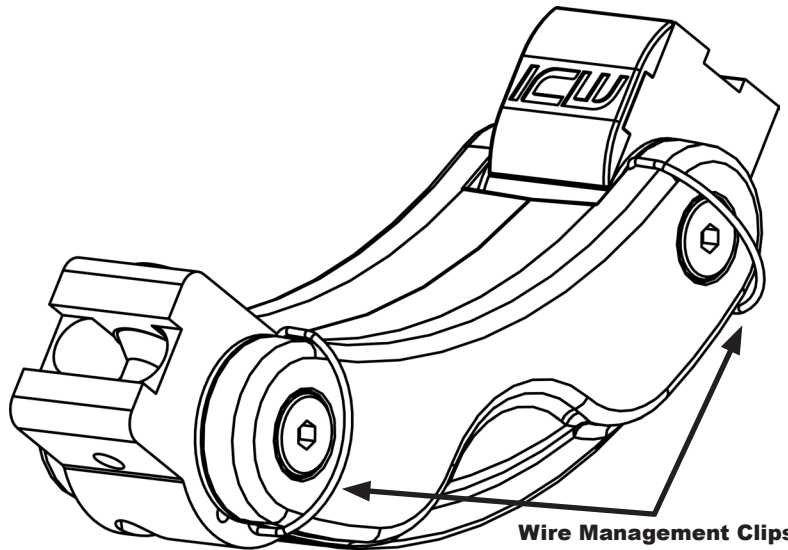
ICWUSA.com, Inc.

If you have any questions please call Toll Free 1-800-558-4435

QUICKLINK OPERATION



Depressing either paddle as shown will disengage the locking mechanism for the corresponding pivot providing 90 degrees of adjustment.
Depressing both paddles as shown allows the user to position both pivots simultaneously for a total of 180 degrees of adjustment.

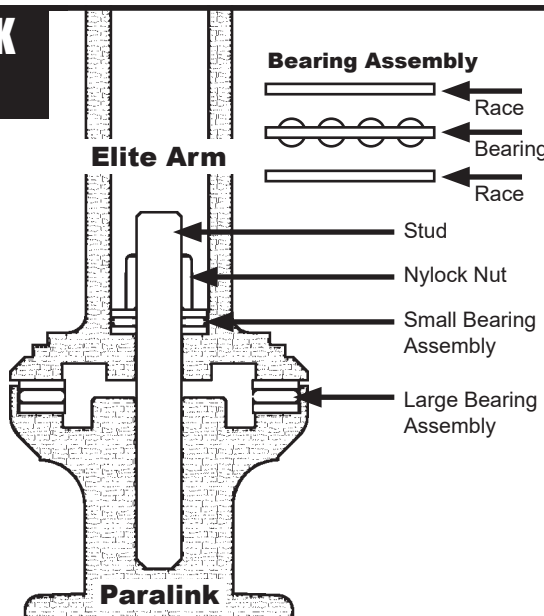


ATTACHING QUICKLINK TO ELITE ARM

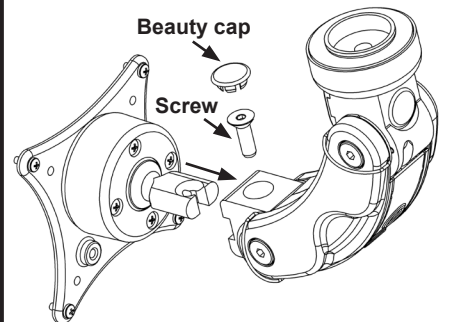
Leaving only large 40mm bearing assembly on Quicklink, lift Quicklink up to end of Elite arm and insert stud.

In Elite arm place small bearing assembly on stud followed by the Nylock nut.

Using supplied security wrench to hold Nylock nut, spin Quicklink assembly until Nylock nut is tightened.

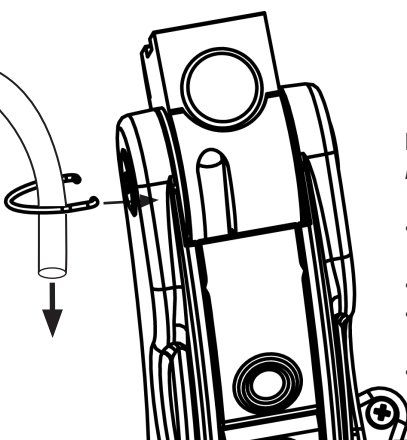


ATTACHING VESA TO QUICKLINK



- Remove beauty cap.
- Remove screw using 3/16" hex key.
- Slide VESA into Quicklink End.
- Replace screw and tighten.
- Replace beauty cap.

QUICKLINK WIRE MANAGEMENT



NOTE: The two clips provided can be installed on either side as needed.

- Place one end of the Cable Retainer into opening as shown.
- Route cables as needed.
- Hook other end of the clip into opening on opposite side as shown.
- Repeat for next clip.

