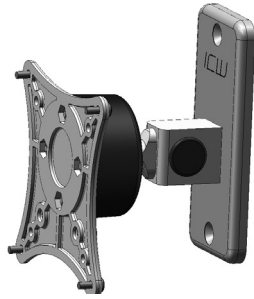


ICW GX-SERIES MOUNT INSTALLATION

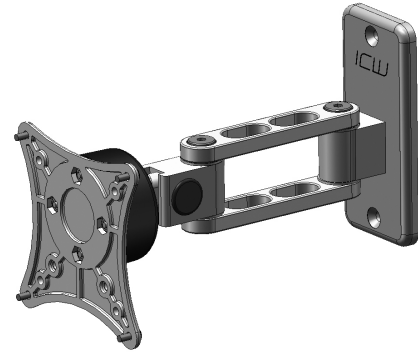
ICWUSA.com, Inc.

If you have any questions, please call 1-800-558-4435

GX170



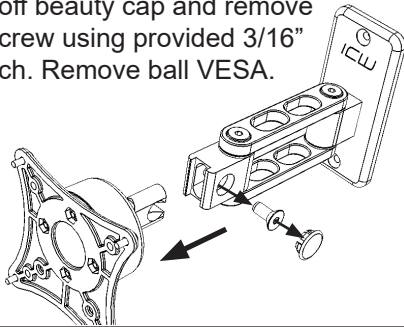
GX270



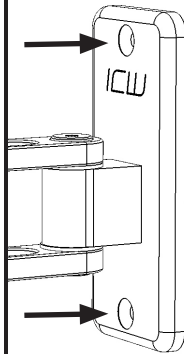
▶ MAXIMUM LOAD CAPACITY: 28 LBS (12.7 KG)

REMOVE VESA

Before attaching wall plate to wall, take off beauty cap and remove the screw using provided 3/16" wrench. Remove ball VESA.



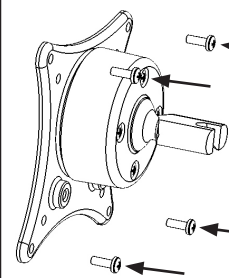
ATTACH WALL PLATE



Locate a stud in the wall where wall plate will be mounted. Mark the top hole, drill 11/64 pilot hole and insert a #14 screw (provided) and tighten slightly. Using a level, mark the lower hole and drill a pilot hole, insert a #14 screw and with the mount level, tighten all screws securely.

Note: ICW supplies #14 wood screws. If installing onto metal studs you will need to replace them with proper metal stud fasteners. All hardware used to secure wall mount must have a proper countersunk head.

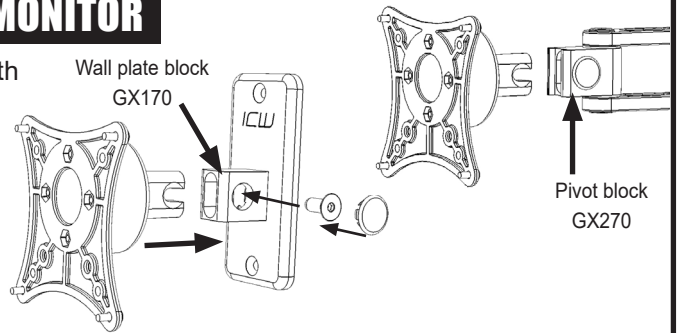
ATTACH VESA TO MONITOR



Attach VESA to monitor using the four 4mm screws provided.

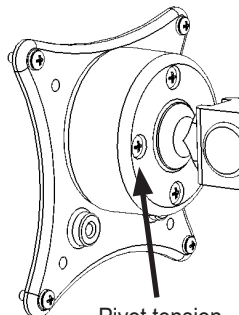
MOUNT VESA & MONITOR

- Reconnect VESA (with attached monitor) to wall plate block or pivot block.
- Replace screw and tighten with 3/16" wrench.
- Replace beauty cap.



ADJUST VESA TENSION & ROTATION

If ball VESA tension needs to be adjusted, remove VESA (with attached monitor) from wall mount. Adjust pivot tension of the ball by gently and evenly tightening or loosening the four screws on the back of the ball VESA. Reinstall VESA and monitor on wall mount.



Pivot tension adjustment screws

CLEANING OF THE ICW MOUNTING DEVICE

When cleaning your ICW mounting unit please follow the points below. Proper cleaning of the mounting device will help assure proper function and extend the life of the unit.

1. Any general cleaner is acceptable except degreasers are not recommended near the bearing entrances.
2. Spray cleaner or water on a soft cloth or paper towel and then wipe down the mounts.
3. Do not spray directly at the bearing seams (located at all swivel points) as this could reduce the life of the bearings.

NOTICE: ICWUSA.COM, Inc. provides the appropriate hardware fasteners to match the majority if not all standard monitors and devices. It is the responsibility of the installer / integrator to ensure that the screws and fasteners have the adequate thread engagement. The rule of thumb is that the thread depth is greater than the diameter of the hole or 4 full turns of 360 degrees of thread engagement. It is also the responsibility of the installer / integrator to ensure that they do not damage the monitor or device by using a screw or fastener that is too long for hole and therefore damaging the unit by inserting too far.