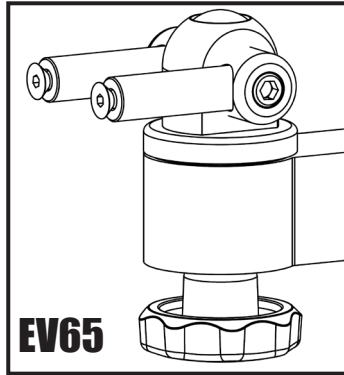


# ICW ERGOVISION 65 INSTRUCTIONS

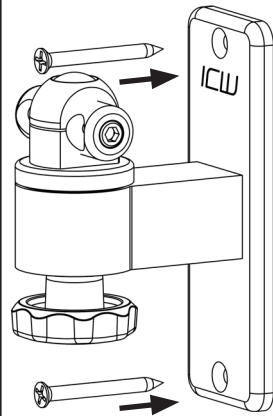
ICWUSA.com, Inc.

If you have any questions please call Toll Free 1-800-558-4435



## IF MOUNTING TO A WALL

### ATTACH WALL PLATE TO WALL

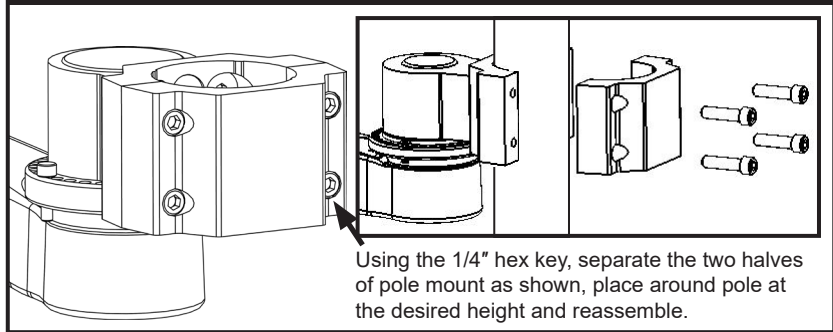


Locate the stud and mark the top hole, drill 11/64 pilot hole and insert #14 screw and tighten slightly. Using a level, mark the lower hole and drill pilot hole, insert #14 screw and, with the unit level, tighten both screws.

NOTE: ICW supplies #14 wood screws. If installing onto metal studs, you will need to replace with proper metal stud fasteners.

## IF MOUNTING TO A POLE

### ATTACH POLE CLAMP TO POLE



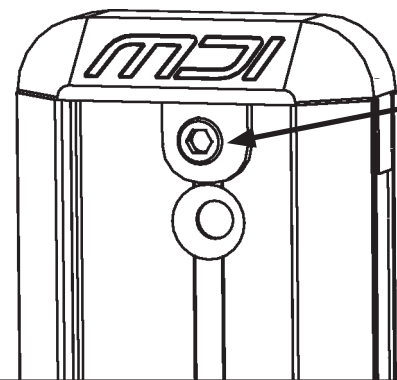
Using the 1/4" hex key, separate the two halves of pole mount as shown, place around pole at the desired height and reassemble.

## IF MOUNTING TO THE ULTRA WALL TRACK

### MOUNT ULTRA TRACK TO WALL

Locate the wall stud and mark the top hole of the Wall Track, drill 11/64 pilot hole and insert #14 screw and tighten slightly. Use a level, mark the lower holes, drill pilot holes and then insert the #14 screws.

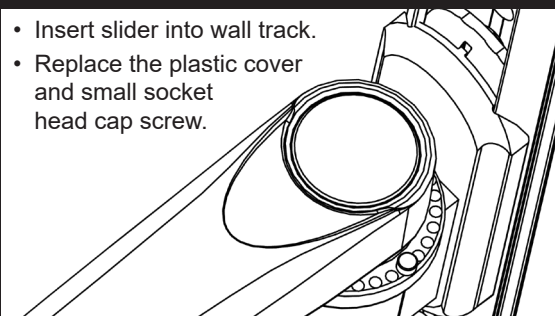
NOTE: #14 wood screws are supplied with unit. If installing into metal studs, you will need to replace these with proper metal stud fasteners.



Remove small socket head cap screw in the top middle of the Wall Track. Remove plastic cover.

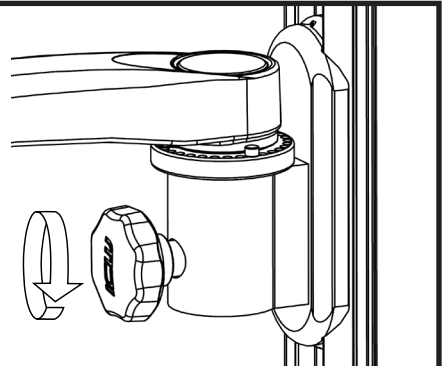
### ATTACH SLIDER TO ULTRA TRACK

- Insert slider into wall track.
- Replace the plastic cover and small socket head cap screw.



Once you have adjusted the slider to the desired height, tighten down the Track Slider using the handle on the slider as shown.

Once tight, make sure the handle is positioned so that it is pointing down as far as possible. Pull and turn handle to position.

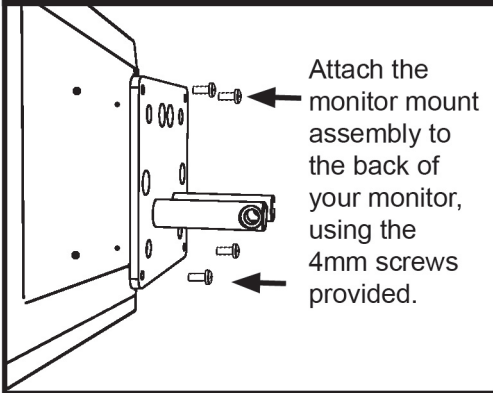


# ICW ERGOVISION 65 INSTRUCTIONS

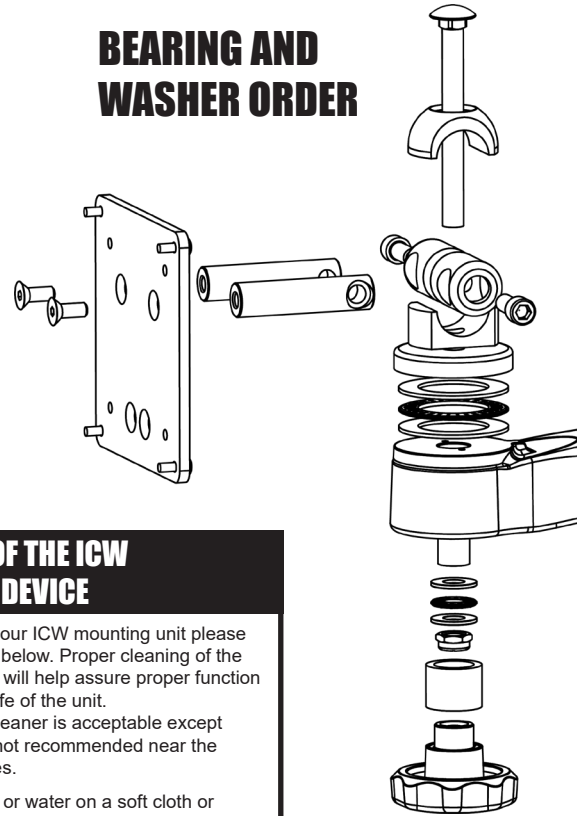
ICWUSA.com, Inc.

If you have any questions please call Toll Free 1-800-558-4435

## ATTACH VESA TO MONITOR

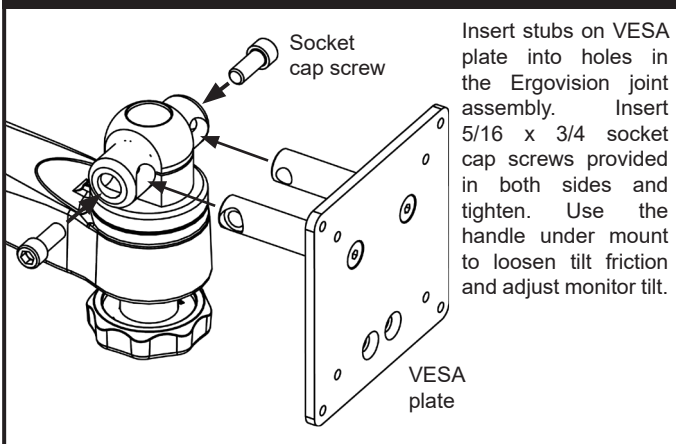


## BEARING AND WASHER ORDER



## AFTER VESA IS ATTACHED TO MONITOR

### ATTACH VESA TO EV65 JOINT



### CLEANING OF THE ICW MOUNTING DEVICE

When cleaning your ICW mounting unit please follow the points below. Proper cleaning of the mounting device will help assure proper function and extend the life of the unit.

1. Any general cleaner is acceptable except degreasers are not recommended near the bearing entrances.
2. Spray cleaner or water on a soft cloth or paper towel and then wipe down the mounts.
3. Do not spray directly at the bearing seams (located at all swivel points) as this could reduce the life of the bearings.

NOTICE: ICWUSA.COM, Inc. provides the appropriate hardware fasteners to match the majority if not all standard monitors and devices. It is the responsibility of the installer / integrator to ensure that the screws and fasteners have the adequate thread engagement. The rule of thumb is that the thread depth is greater than the diameter of the hole or 4 full turns of 360 degrees of thread engagement. It is also the responsibility of the installer / integrator to ensure that they do not damage the monitor or device by using a screw or fastener that is too long for hole and therefore damaging the unit by inserting too far.

## IF AN EXTENSION ARM IS USED

### ULTRA CORD MANAGEMENT

1. Prepare all cables to route within the arm by placing them near cavity of arm and bundling together if necessary.
2. Remove cover by unscrewing four socket head cap screws. Screws are captured by the cover so they cannot fall out. Once screws are disengaged, pull cover out of arm.
3. Place cables within the channel. Do not block the holes where screws will engage in arm.
4. Replace cover and tighten screws. Cables should be able to pull through to desired position if necessary.

