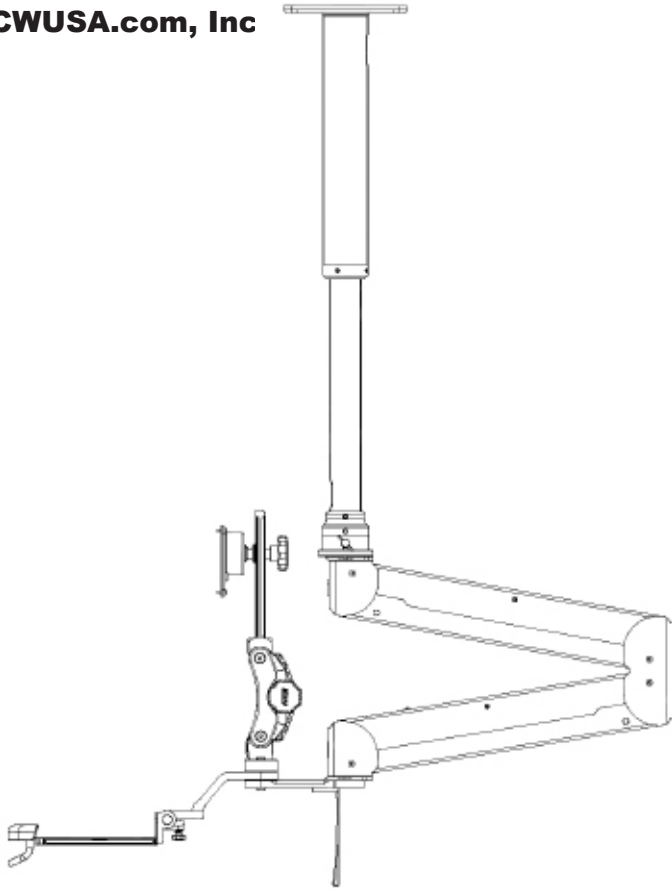


If you have any questions please call Toll Free 1-800-558-4435



IMPORTANT

To avoid damaging threads, **DO NOT** use power tools to assemble or adjust the arm. Use hand tools **ONLY**.

► **MAXIMUM LOAD CAPACITY: 30 LBS (13.6 KG)**

DANGER!

The Elite arm contains high pressure gas springs. The following cautions MUST be observed to avoid serious injury.

- Installation with at least two persons is recommended for the ELP6220 series.
- **Do not** attempt to adjust the arm until all components are mounted (monitor, keyboard, etc.).
- **Arm must be completely horizontal** (extended) before adjusting the arm's tension. Failure to do so will damage the arm and void the warranty.
- **NEVER loosen or remove any of the shoulder bolts.** Doing so will cause the arm to immediately come apart with tremendous force, and could cause serious injury (see screen).
- If equipment requiring AC power is mounted to this unit, have a certified electrician inspect the installation.
- Failure to install this unit according to these instructions will void all ICW warranties. If installed incorrectly, ICW is not liable for any damage or injury caused by the unit.

1. MOUNT SQUARE CEILING PLATE AND DROP POLE

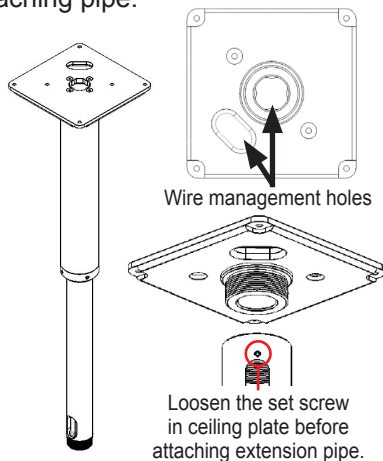
Using four 1/4 x 2" lag bolts provided in hardware bag, secure ceiling plate to a solid wood surface or ceiling joist. Use square pattern or inline pattern. Be sure the plate is level and use all four bolts.

It may be easier to pre-install the cabling through the drop pole before installation. If you choose this method, run a sufficient length of cable through the base center hole or wire management port. You will require a minimum length of 12" cabling for the XT24 drop pole and 10" cabling for the XT12 drop pole. **Then, add required additional length on both ends.** Loosen set screw **BEFORE** attaching pipe.

Thread extension pipe fully onto ceiling plate, then tighten set screw. Ensure drop pole is vertically straight.

SUGGESTION:

Set inner pole at lowest point before moving into its permanent position. To avoid unnecessary visible marks on drop pole.



2. ATTACH ARM TO DROP POLE

Check that set screw is backed out enough to tighten. Fully thread arm onto extension pipe and tighten. **NOTE:** There is a hole for a spanner that can be used to add extra leverage for tightening the thread.

AFTER arm is firmly attached, tighten set screw with 5/32 hex key. Once set, retighten set screw.

WARNING:

DO NOT loosen lower, smaller screw without approval from ICW.



DOUBLE ELITE CEILING MOUNT INSTALLATION

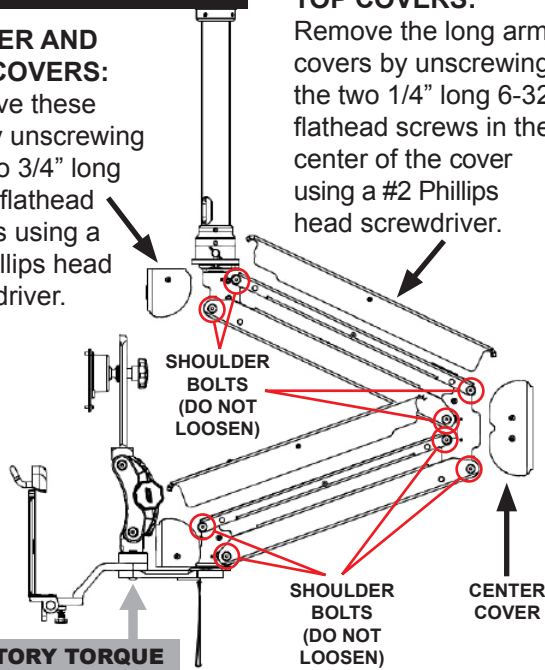
3. REMOVE ARM COVERS

CENTER AND END COVERS:

Remove these first by unscrewing the two 3/4" long 10-24 flathead screws using a #2 Phillips head screwdriver.

TOP COVERS:

Remove the long arm covers by unscrewing the two 1/4" long 6-32 flathead screws in the center of the cover using a #2 Phillips head screwdriver.



**FACTORY TORQUE
120 INCH POUNDS.
DO NOT LOOSEN.**

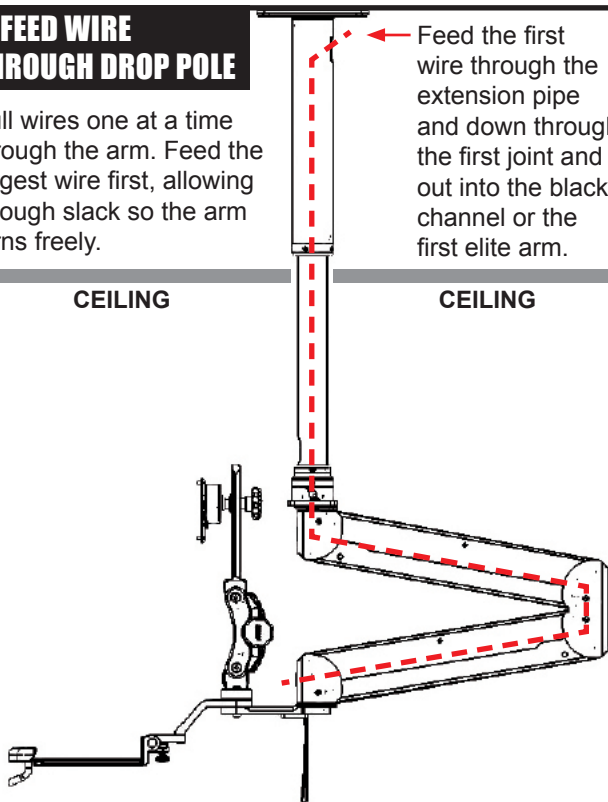
4. FEED WIRE THROUGH DROP POLE

Pull wires one at a time through the arm. Feed the largest wire first, allowing enough slack so the arm turns freely.

Feed the first wire through the extension pipe and down through the first joint and out into the black channel or the first elite arm.

CEILING

CEILING

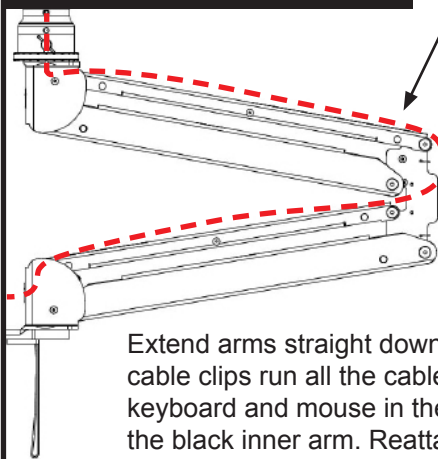


Feed the cables between the elite arms through the center frame and into the black channel of the second elite arm.

Repeat these steps with the remaining cables.

5. FEED CABLE THROUGH ARM

NOTE: YOU MUST LEAVE SOME SLACK IN THE CABLES AT THE CENTER COVER TO ALLOW FOR ARM MOVEMENT.



Extend arms straight down and remove cable clips run all the cables for monitor, keyboard and mouse in the channel in the black inner arm. Reattach cable clips.

6. REATTACH ARM COVERS

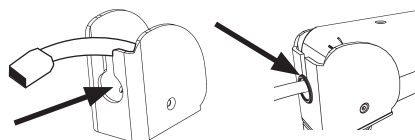
TOP COVERS: Reattach by replacing the two 6-32 x 1/4" flathead screws in the center of the cover using a #2 Phillips head screwdriver.

CENTER COVER: Reattach by replacing the four 10-24 x 3/4" flathead screws using a #2 Phillips head screwdriver.

END COVERS: Reattach by replacing the two 10-24 x 3/4" flathead screws using a #2 Phillips head screwdriver.

7. REPLACE ARM COVERS

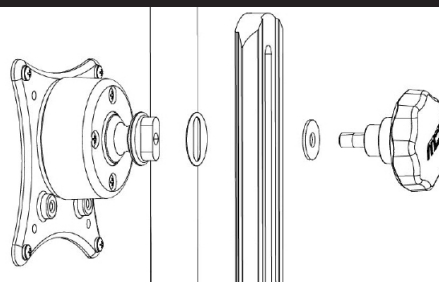
Replace covers on the Elite section of the arm. **DO NOT** use a power tool to insert screws.



Before reattaching arm covers, slip wires through end cover port.

Reattach black plastic bushing around exiting wires.

8. ATTACH MONITOR VESA TO MOUNT



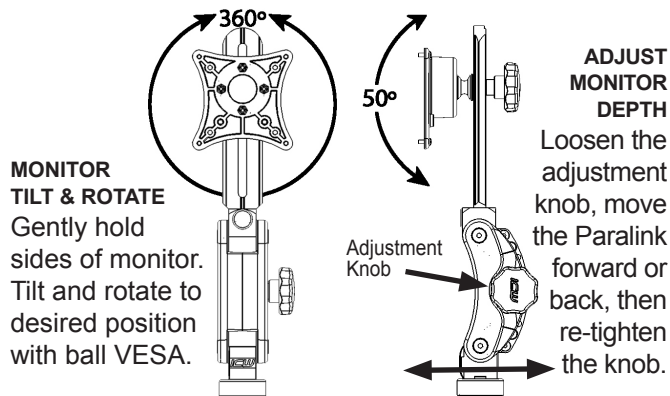
Attach VESA to monitor using four M4 screws in the hardware bag. Mount the VESA assembly by screwing the knob through the rail into the VESA.

Use the slider knob to loosen the slider to adjust the height of the monitor on the Paralink.

Adjust the pivot tension of the ball by gently and evenly tightening or loosening the four screws on the back of the ball VESA.

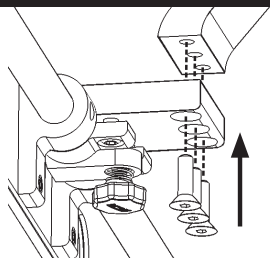
DOUBLE ELITE CEILING MOUNT INSTALLATION

9. MONITOR TILT, ROTATION & ADJUST MONITOR DEPTH

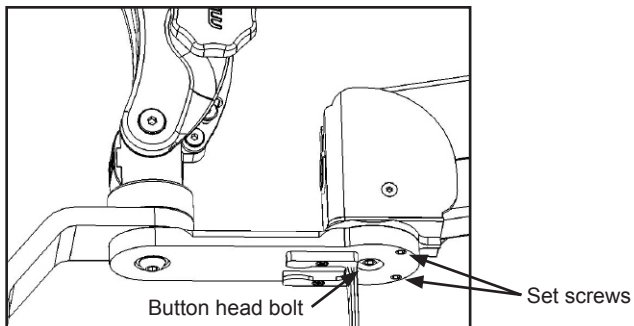
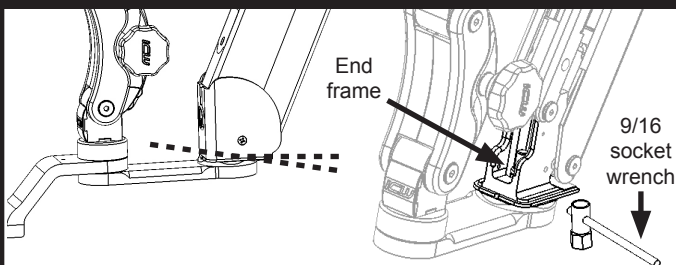


10. ATTACH KEYBOARD FLIP-UP TO DROP

Attach the tray flip-up assembly to the drop using the provided flat head screws and 5/32 hex key.

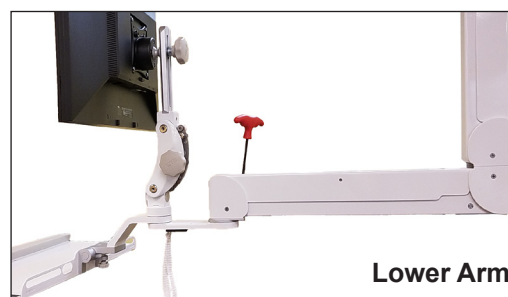
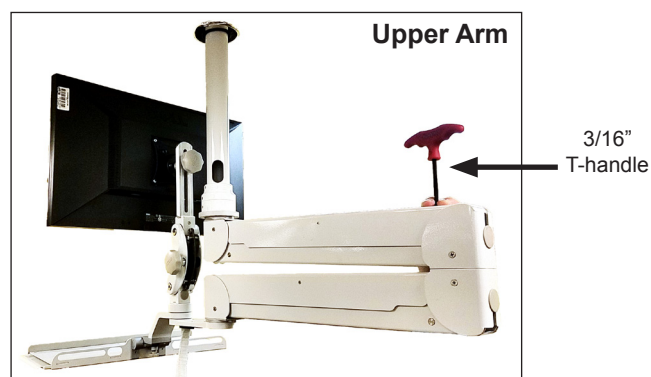


11. ADJUST HORIZONTAL TILT ANGLE



- Remove long top cover and front end cover.
- Insert 9/16 socket wrench over nut in end frame.
- From beneath arm, slightly loosen center bolt with provided hex key.
- Tighten set screws with hex key until foot is level, then retighten center bolt. Check for level. Repeat if necessary. If center bolt is not retightened, the Elite foot could come loose.
- Replace arm covers, as in screens 6 and 7.

12. ADJUST ARM LIFTING CAPACITY



Extend the upper arm straight out as shown before adjusting the arm's lifting capacity. Be sure all equipment is mounted on the arm before adjusting. Adjust the arm closest to the monitor first. Use the 3/16" T-handle provided.

13. ADJUST ROTATION STOPS



Rotation limits for the arm are set by placing stop pins in the holes where you want the arm to stop. The stop pins can be removed and set by hand.

Torque Chart- In/lbs			Monitor Mount		
Minimum torque values					
Arm	Base Mount	Arm Joint	Paralink	EV710	Ultra
Elite	120	-	120	-	120
T2Elite	120	120	120	-	120
Titan (T2)	120	120	120	-	120
Ultra	120	120	120	85	120
UL180 / UL182	120	120	-	85	-
MD Arm	140	-	120	-	120