

# Titan Elite Wall Mount

PRODUCT SHEET

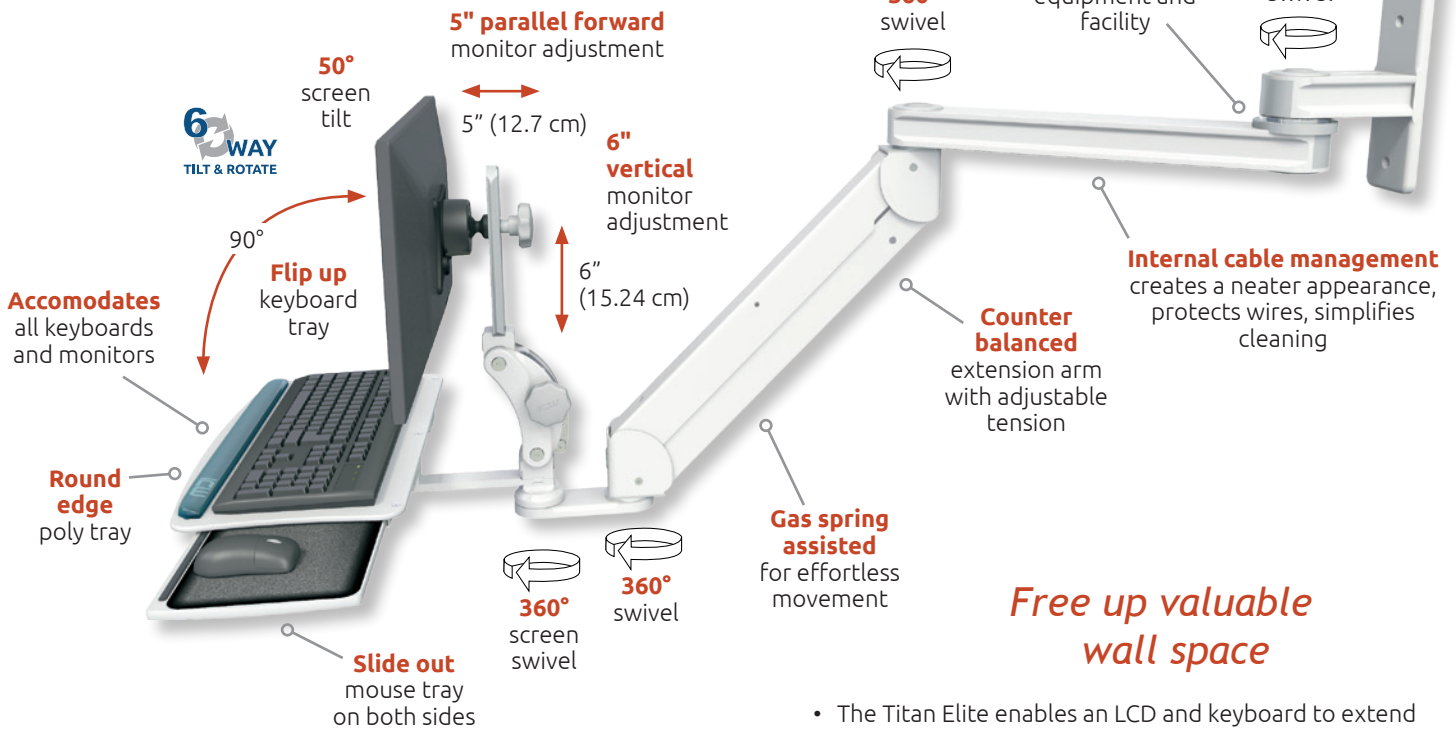
T2EP-WT2-KUP

**Unparalleled reach,  
compact when stowed**

The Titan Elite is ideal for tight spaces in today's healthcare environments.

Ceiling mount also available.  
**T2EQ-C8X5**

**Mounting options**  
Wall, wall track, desk and pole mounts available.



**Free up valuable wall space**

- The Titan Elite enables an LCD and keyboard to extend up to 54.25" (137.8 cm) when needed, then stow just 11" (27.94 cm) from the wall.
- This arm supports up to 28 lbs (12.7 kg) while providing effortless movement.
- It provides up to 21" (53.34 cm) of vertical and 42" (106.68cm) of horizontal adjustment along with 360° of rotation.
- The Titan Elite arm is fully cable managed, gas spring assisted, and has adjustable rotation stops to protect your equipment and facility.
- Accommodates all keyboards and monitors.
  - Adjustable arm tension
  - 2 year manufacturer warranty.

*Monitor, keyboard and mouse not included*

Max. Reach	Screen Swivel	Screen Tilt	Arm Swivel
54.25" (137.8 cm)	270°	50°	360°

<b>Load capacity:</b>	28 lbs (12.7 kg) LCD only, 22 lbs (9.9 kg) LCD and keyboard
<b>Vertical adj. range:</b>	21" (53.34 cm)
<b>Horizontal adj. range:</b>	34"
<b>Maximum reach:</b>	54.25" (137.8 cm)
<b>Stowed depth:</b>	11" (27.94 cm)
<b>Arm swivel:</b>	360°
<b>Screen swivel:</b>	270°
<b>Screen tilt:</b>	50°
<b>VESA interface:</b>	75 mm and 100 mm

**Need a custom solution?  
Contact your ICW Rep  
for more information.**

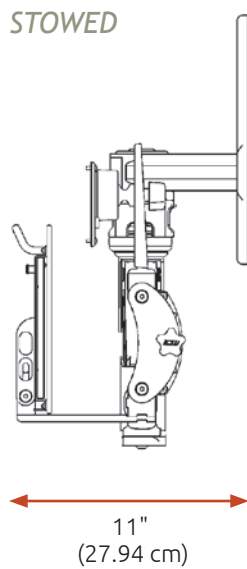
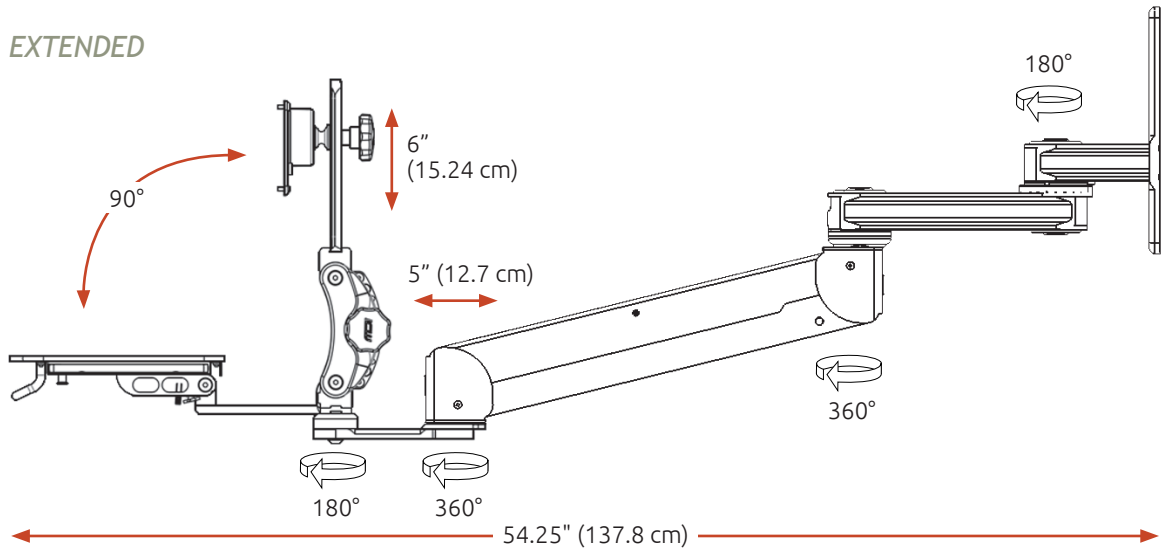
Select a color

Specify one of our durable powder coating finishes with your order:

Gloss White (MW), Writable Black (WB), A-dec Tan (T), Pelton Putty (P), and Quartz Gray (QG)



# Range of Motion and Dimensional Drawings



## WALL MOUNT OPTIONS



W2  
Wall mount 7"



W3  
Wall mount 9.5"



T19  
Wall track 19"



T36  
Wall track 36"

## DESK MOUNT OPTIONS



D1  
Desk mount 1"



D3  
Desk mount 3"



D5  
Desk mount 5"



D7  
Desk mount 7"