

Ultra 510 Pole Mount

PRODUCT SHEET

UL510-P17-A2

The Ultra 510 LCD arm is widely used in medical and dental environments.

Move components together—
adjust them separately

6 WAY
TILT & ROTATE

90°
screen
tilt

6"
(15.2 cm)
vertical
monitor
adjustment



Ultra Laptop Tray
LTU-W3-A2

Ultra 510 Pole Mount
with LCD
UL510-P17-A2

Internal cable management
creates a neater appearance,
protects wires

360°
arm swivel

Mount options
Wall, wall track,
desk and pole
mounts

90°
tilt at
each
joint

360°
monitor
swivel

Adjustable
rotation stops



Ultra 510 Pole Mount
with Keyboard Tray
UL510-R2-KUB

Full articulation of the
monitor and keyboard

- Two articulating joints provide 90° of tilt adjustment.
- This system can be mounted with two articulating extension arms, allowing for up to 37.5" of reach with a keyboard tray.
- Machined from billet aluminum, the unit is powder coated for a durable, lasting finish.
- Hand assembly ensures that a quality product is shipped to you.

Monitor, keyboard and mouse not included.



Maximum
Reach

40" (102 cm)



Screen
Swivel

360°



Screen
Tilt

90°

- Load capacity: 18 lbs (8.2 kg)
- Maximum reach: 23" (58 cm) with LCD only, 40" (102 cm) with LCD and keyboard
- Stowed depth: 4.5" (11.4 cm) LCD only, 9.75" (24.8 cm) LCD and keyboard
- Arm swivel at mount: 360°
- Screen swivel: 360°
- Screen tilt: 90°
- VESA interface: 75 mm and 100 mm



Need a custom solution?
Contact your ICW Rep
for more information.

Range
of Motion
Video



Select a color

Specify one of our durable powder
coated finishes with your order:

Gloss White (MW), Writable Black (WB), A-dec Tan (T),
Pelton Putty (P), and Quartz Gray (QG)



Range of Motion and Dimension Drawings

DESK MOUNT
UL510-D5-KUB-A2



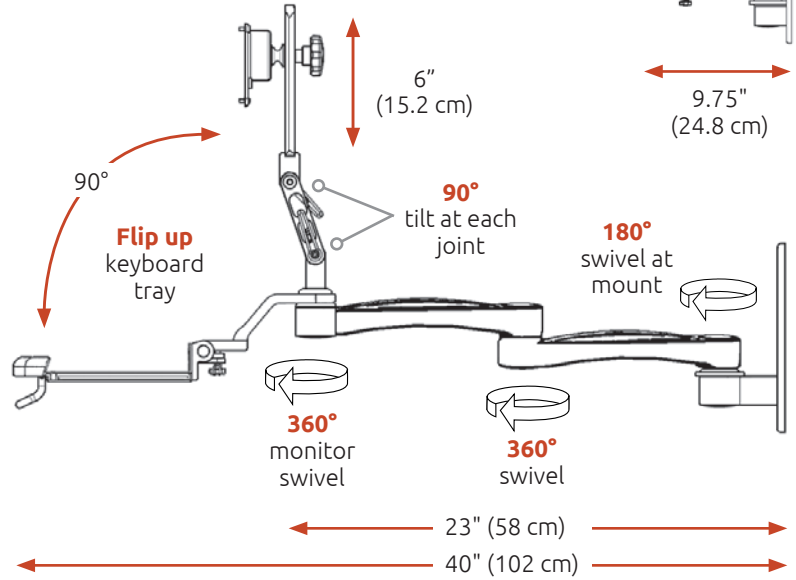
WALL MOUNT
UL510-W3-KUB-A2



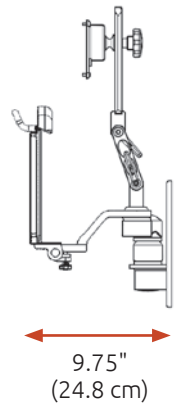
WALL TRACK MOUNT
UL510-T36-KUP-A1



EXTENDED



STOWED



WALL MOUNT OPTIONS



DESK MOUNT OPTIONS

